

NU-GUARD SC-P



NU-GUARD SC-P



Mechanical & Abrasion Protection
Noise Reduction



Self-Closing Sleeving



Knitted



PET monofilament
Texturized multifilament



Standard: Black with blue stripe, orange with no stripe
Option: Yellow with tan stripe upon request



Low: -40°C (-40°F)
High: 150°C (302°F)



High abrasion resistance
Noise reduction >10 dB

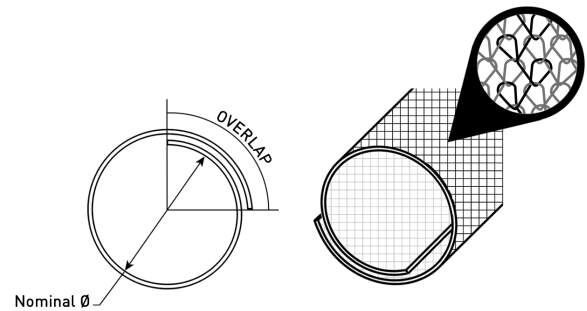
PHYSICAL PROPERTIES

Physical properties	Spec	Value
Long term aging (3000h/150°C)	-	pass
Short term aging (240h/175°C)	-	pass
Abrasion resistance	GMW 14327;	category 4
	MBN LV 312-3, VW 60360-3, GS 95008-3-3;	class D
	PSA 96 458 709 99	class 3
Noise reduction	GMW 14327;	class C
	MBN LV 312-3, VW 60360-3, GS 95008-3-3	class E
Flammability	FMVSS 302	self-extinguishing
Chemical resistance	Resists the majority of chemicals and automotive fluids	

DIMENSIONS

Designation*	Nominal Ø (mm)	Functional Ø (mm)
NU-GUARD SC-P 05	5	4 - 5
NU-GUARD SC-P 08	8	6 - 8
NU-GUARD SC-P 10	10	9 - 10
NU-GUARD SC-P 13	13	11 - 13
NU-GUARD SC-P 16	16	14 - 16
NU-GUARD SC-P 19	19	17 - 19
NU-GUARD SC-P 25	25	20 - 25
NU-GUARD SC-P 29	29	26 - 29
NU-GUARD SC-P 32	32	30 - 32
NU-GUARD SC-P 38	38	33 - 38
NU-GUARD SC-P 42	42	39 - 44

* For orange version, add ORANGE at the end of the designation
[ex.: NU-GUARD SC-P 05 ORANGE]



PACKAGING

Coils
Cut lengths upon request

