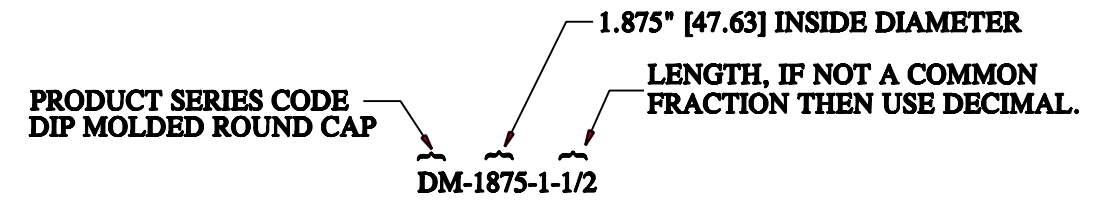


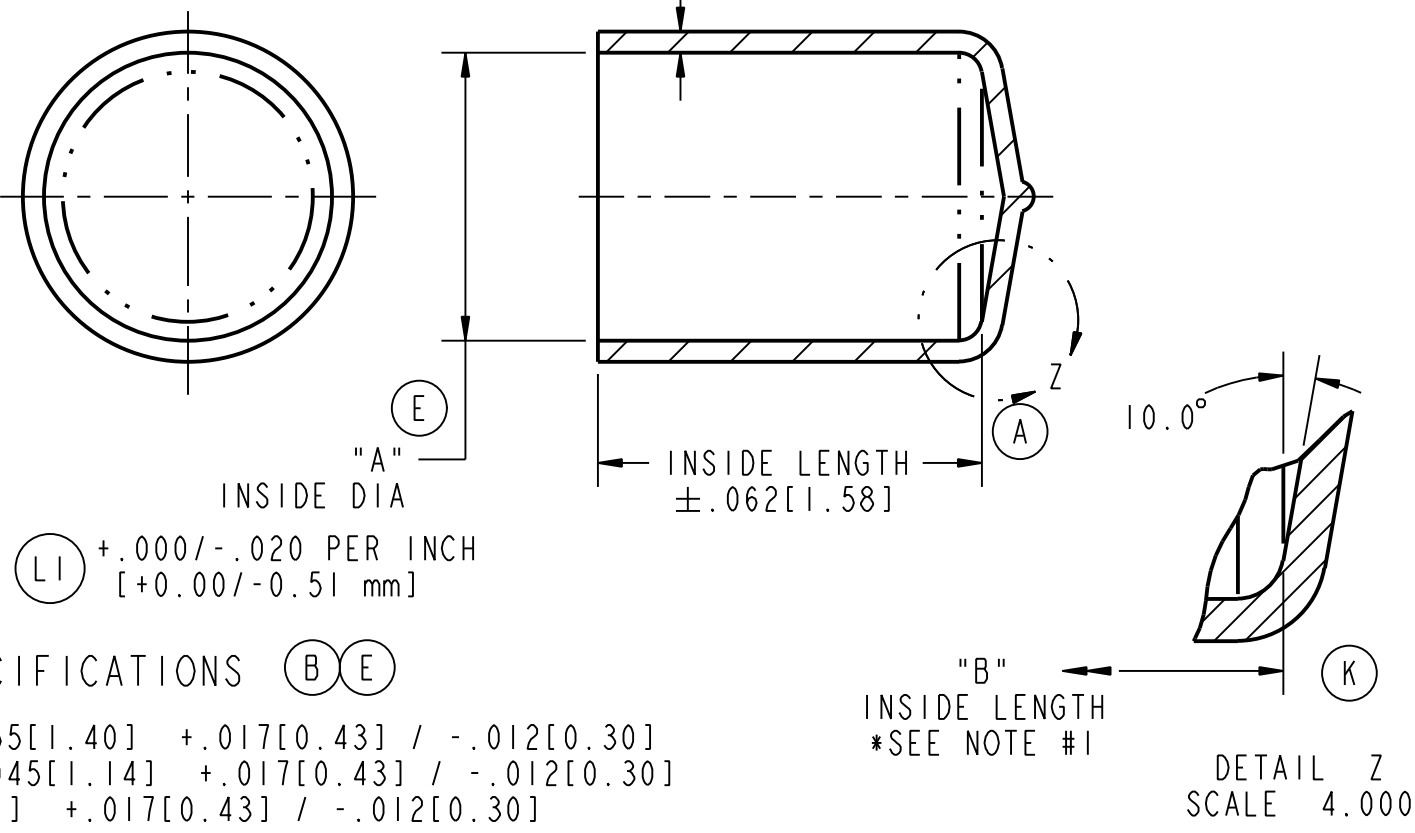
Part Number	INSIDE DIAMETER		WALL THICKNESS			Part Number	INSIDE DIAMETER		WALL THICKNESS	
	INCHES	MM	INCHES	MM			INCHES	MM	INCHES	MM
DM-0062	0.062	1.57	0.040	1.02		DM-1125	1.125	28.58	0.055	1.40
DM-0080	0.080	2.03	0.040	1.02		DM-1187	1.187	30.15	0.055	1.40
DM-0093	0.093	2.36	0.040	1.02		DM-1250	1.250	31.75	0.055	1.40
DM-0110	0.110	2.79	0.040	1.02	(Y)	DM-1312	1.312	33.32	0.055	1.40
DM-0125	0.125	3.18	0.040	1.02	(Z)	DM-1375	1.375	34.93	0.055	1.40
DM-0140	0.140	3.56	0.040	1.02	(Y)	DM-1437	1.437	36.50	0.055	1.40
DM-0148	0.148	3.76	0.040	1.02	(Y)	DM-1500	1.500	38.10	0.055	1.40
DM-0156	0.156	3.96	0.040	1.02	(Y)	DM-1593	1.593	40.46	0.055	1.40
DM-0172	0.172	4.37	0.045	1.14	(Y)	DM-1625	1.625	41.28	0.055	1.40
DM-0180	0.180	4.57	0.045	1.14	(Y)	DM-1687	1.687	42.85	0.055	1.40
DM-0187	0.187	4.75	0.045	1.14	(Y)	DM-1750	1.750	44.45	0.055	1.40
DM-0203	0.203	5.16	0.045	1.14	(Y)	DM-1812	1.812	46.02	0.055	1.40
DM-0207	0.207	5.26	0.045	1.14	(Y)	DM-1875	1.875	47.63	0.055	1.40
DM-0218	0.218	5.54	0.045	1.14	(Z)	DM-1937	1.937	49.20	0.055	1.40
DM-0224	0.224	5.69	0.045	1.14	(J)	DM-2000	2.000	50.80	0.055	1.40
DM-0230	0.230	5.84	0.045	1.14	(Y)	DM-2125	2.125	53.98	0.055	1.40
DM-0234	0.234	5.94	0.045	1.14	(Y)	DM-2156	2.156	54.76	0.055	1.40
DM-0240	0.240	6.10	0.045	1.14	(T)	DM-2250	2.250	57.15	0.055	1.40
DM-0250	0.250	6.35	0.045	1.14	(Y)	DM-2375	2.375	60.33	0.055	1.40
DM-0281	0.281	7.14	0.045	1.14	(Y)	DM-2460	2.460	62.48	0.055	1.40
DM-0290	0.290	7.37	0.045	1.14	(U)	DM-2500	2.500	63.50	0.055	1.40
DM-0304	0.304	7.72	0.045	1.14	(Y)	DM-2625	2.625	66.68	0.055	1.40
DM-0313	0.313	7.95	0.045	1.14	(Y)	DM-2687	2.687	68.25	0.055	1.40
DM-0343	0.343	8.71	0.045	1.14	(X)	DM-2750	2.750	69.85	0.055	1.40
DM-0360	0.360	9.14	0.045	1.14	(Y)	DM-2875	2.875	73.03	0.055	1.40
DM-0375	0.375	9.53	0.055	1.40	(Y)	DM-3000	3.000	76.20	0.055	1.40
DM-0406	0.406	10.31	0.055	1.40	(Y)	DM-3125	3.125	79.38	0.055	1.40
DM-0420	0.420	10.67	0.055	1.40	(M2)	DM-3250	3.250	82.55	0.055	1.40
DM-0437	0.437	11.10	0.055	1.40	(Y)	DM-3375	3.375	85.73	0.055	1.40
DM-0460	0.460	11.68	0.055	1.40	(R)	DM-3500	3.500	88.90	0.055	1.40
DM-0470	0.470	11.94	0.055	1.40	(Y)	DM-3625	3.625	92.08	0.055	1.40
DM-0490	0.490	12.45	0.055	1.40	(Y)	DM-3750	3.750	95.25	0.055	1.40
DM-0500	0.500	12.70	0.055	1.40	(PI)	DM-3825	3.825	97.16	0.055	1.40
DM-0523	0.532	13.51	0.055	1.40	(Y)	DM-3875	3.875	98.43	0.055	1.40
DM-0531	0.531	13.49	0.055	1.40	(NI)	DM-4000	4.000	101.60	0.055	1.40
DM-0544	0.544	13.82	0.055	1.40	(Y)	DM-4125	4.125	104.78	0.055	1.40
DM-0562	0.562	14.27	0.055	1.40	(Y)	DM-4187	4.187	106.35	0.055	1.40
DM-0587	0.587	14.91	0.055	1.40	(M3)	DM-4250	4.250	107.95	0.055	1.40
DM-0600	0.600	15.24	0.055	1.40	(Y)	DM-4375	4.375	111.13	0.055	1.40
DM-0625	0.625	15.88	0.055	1.40	(S1)	DM-4500	4.500	114.30	0.055	1.40
DM-0640	0.640	16.26	0.055	1.40	(S2)	DM-4750	4.750	120.65	0.055	1.40
DM-0665	0.665	16.89	0.055	1.40	(S3)	DM-5000	5.000	127.00	0.055	1.40
DM-0677	0.677	17.20	0.055	1.40	(Y)	DM-5187	5.187	131.75	0.055	1.40
DM-0687	0.687	17.45	0.055	1.40	(Y)	DM-5375	5.375	136.53	0.055	1.40
DM-0725	0.725	18.42	0.055	1.40	(Y)	DM-5500	5.500	139.70	0.055	1.40
DM-0750	0.750	19.05	0.055	1.40	(Y)	DM-5750	5.750	146.05	0.055	1.40
DM-0812	0.812	20.62	0.055	1.40	(S4)	DM-6000	6.000	152.40	0.055	1.40
DM-0843	0.843	21.41	0.055	1.40	(S5)	DM-6250	6.250	158.75	0.055	1.40
DM-0875	0.875	22.23	0.055	1.40	(S6)	DM-6500	6.500	165.10	0.055	1.40
DM-0937	0.937	23.80	0.055	1.40	(Y)	DM-6750	6.750	171.45	0.055	1.40
DM-0985	0.985	25.02	0.055	1.40	(Y)	DM-7000	7.000	177.80	0.055	1.40
DM-1000	1.000	25.40	0.055	1.40	(Y)	DM-7250	7.250	184.15	0.055	1.40
DM-1062	1.062	26.97	0.055	1.40	(Y)	DM-7500	7.500	190.50	0.055	1.40
DM-1090	1.090	27.69	0.055	1.40	(S7)	DM-7750	7.750	196.85	0.055	1.40
						DM-8000	8.000	203.20	0.055	1.40

NEW PRINT
OCT. 3, 2007
OBsolete
ALL PREVIOUS PRINTS

TYPICAL PART# DESCRIPTION



- NOTES:
- INSIDE LENGTH MEASUREMENTS ARE TAKEN FROM THE EDGE OF THE OPEN END TO THE TANGENT POINT OF THE CLOSED END RADIUS AND 10° DRIP ANGLE.
 - NOMINAL WALL THICKNESS IS MEASURED APPROX. 1/4" [6.35] FROM OPEN END
 - NOMINAL WALL INCREASES TOWARD THE CLOSED END.
 - "B" INSIDE LENGTH TO BE SPECIFIED BY CUSTOMER. (D)
 - DIMENSIONS IN INCHES [METRIC] (F)
 - PARTS MAY HAVE GLOSSY OR DULL APPEARANCE. (L2)



WALL THICKNESS SPECIFICATIONS (B)(E)

"A" DIA ≥ .375 [9.53] = .055 [1.40] +.017 [0.43] / -.012 [0.30]

"A" DIA < .375 [9.53] = .045 [1.14] +.017 [0.43] / -.012 [0.30]

"A" DIA < .172 = .040 [0.01] +.017 [0.43] / -.012 [0.30]

DATE	SYM	REVISION RECORD	DR	CHK
07/18/94	A	CHANGED TOLERANCE PER ECN #211	MGT	DS
07/25/94	B	CHANGED SPECS PER ECN #414	MGT	DS
10/25/95	C	CHANGED WALL THK TO .172	RC	DS
11/08/95	D	ADDED TYP PART# DESCRIPTION REMOVED LENGTHS SPEC PER PART NO.# PER ECN #714 ADDED DM-1375 ADDED NOTE #4 REMOVED DM-0677 PER ECN #248	RC	DS
12/14/96	E	CHANGED INSIDE DIA TOL FROM ±.010[0.25] CHANGED WALL THK TOLERANCE FROM ±.010[0.25] PER ECN #739	MGT	DS
02/16/96	F	ADDED METRIC DIM'S & NOTE #5	RC	DS
03/19/97	G	ADDED #DM-2125 & #DM-2500	RC	DS
07/31/97	H	ADDED #DM-0523	RC	DS
12/29/98	J	ADDED #DM-2250	DG	DS
03/03/99	K	MODIFIED DIM LOCATION PER ECN #1134	TT	DS
06/19/01	L1	CHANGED METRIC TOLERANCE - WAS +0.0/-0.02mm PER mm	MB	DS
	L2	ADDED NOTE PER ECN #1321		
06/27/02	M1 M2 M3	ADDED #DM-0230 ADDED #DM-3250 ADDED #DM-4250	DG	DS
2/26/03	N1	ADDED #DM-4000	BJ	DS
4/02/03	P1	ADDED #DM-3825	DG	DS
8/29/03	R	ADDED #DM-3500	BJ	DS
10/06/03	S1 S2 S3 S4 S5 S6 S7	ADDED #DM-4500 ADDED #DM-4750 ADDED #DM-5000 ADDED #DM-6250 ADDED #DM-6500 ADDED #DM-6750 ADDED #DM-8000	DG	GY BY
1/21/04	T	ADDED #DM-2375	BJ	MJ
3/9/04	U	ADDED #DM-2625	BJ	MJ
7/8/04	V	ADDED DM-0587	DG	BS
11/11/04	W	ADDED DM-0420	DG	BY
4/27/05	X	ADDED DM-2750	DG	BY
11/08 2005	Y	ADDED 40 NEW SIZES PER CN #1530	DG	BD
10/3 2007	Z	ADDED DM-1437 AND DM-1937 PER CN #1580	BJ	BD

UNCONTROLLED

THIRD ANGLE PROJECTION ALL TECHNICAL DATA DISCLOSED HEREIN IS THE PROPERTY OF ALLIANCE PLASTICS, INC. AND IS NOT TO BE USED FOR MANUFACTURE, PROCUREMENT OR DISCLOSURE TO OTHERS WITHOUT WRITTEN PERMISSION BY THE OWNER.

MATERIAL:
VINYL DIP PLASTISOL
(PVC)

TOLERANCES (UNLESS OTHERWISE SPECIFIED)
± .02 FOR 2 PLACE DECIMAL DIMENSIONS
± .010 FOR 3 PLACE DECIMAL DIMENSIONS
± .005 FOR 4 PLACE DECIMAL DIMENSIONS
± 3.0° FOR ANGULAR DIMENSIONS
± 1/32 FOR FRACTIONAL DIMENSIONS

Alliance Plastics 3123 Station Road
P.O. Box 7284
Erie, Pa. 16510-0284

DATE: 18-JUL-1994 DRWN BY: M TRIMBLE

SCALE: N.T.S. CHK BY:

NAME:
VINYL DIP MOLDED PARTS - STANDARD ROUND

PART NUMBER:
#DM-SERIES

DRAWING NO: 3 0 2 C 1 9 5 REV. Z