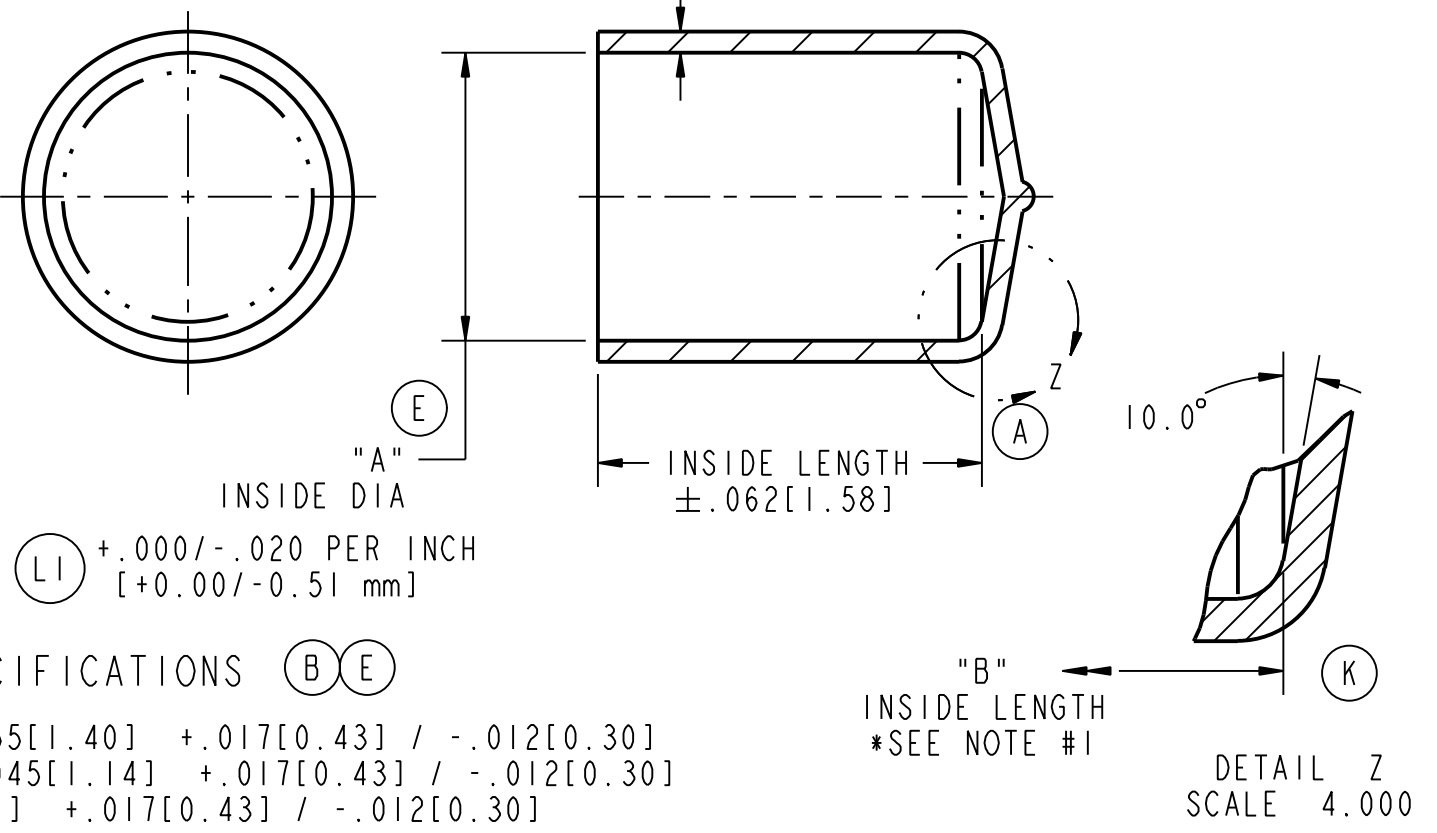
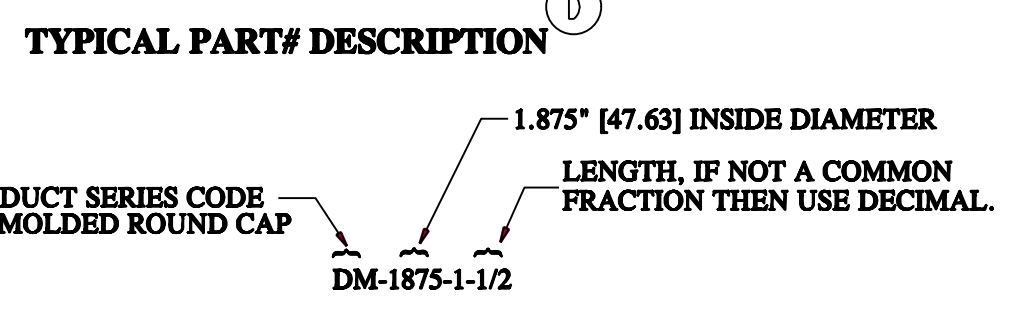


Part Number	INSIDE DIAMETER		WALL THICKNESS			Part Number	INSIDE DIAMETER		WALL THICKNESS	
	INCHES	MM	INCHES	MM			INCHES	MM	INCHES	MM
DM-0062	0.062	1.57	0.040	1.02		DM-1125	1.125	28.58	0.055	1.40
DM-0080	0.080	2.03	0.040	1.02		DM-1187	1.187	30.15	0.055	1.40
DM-0093	0.093	2.36	0.040	1.02		DM-1250	1.250	31.75	0.055	1.40
DM-0110	0.110	2.79	0.040	1.02	(Y)	DM-1312	1.312	33.32	0.055	1.40
DM-0125	0.125	3.18	0.040	1.02	(Z)	DM-1375	1.375	34.93	0.055	1.40
DM-0140	0.140	3.56	0.040	1.02	(Y)	DM-1437	1.437	36.50	0.055	1.40
DM-0148	0.148	3.76	0.040	1.02	(Y)	DM-1500	1.500	38.10	0.055	1.40
DM-0156	0.156	3.96	0.040	1.02	(Y)	DM-1593	1.593	40.46	0.055	1.40
DM-0172	0.172	4.37	0.045	1.14	(Y)	DM-1625	1.625	41.28	0.055	1.40
DM-0180	0.180	4.57	0.045	1.14	(Y)	DM-1687	1.687	42.85	0.055	1.40
DM-0187	0.187	4.75	0.045	1.14	(Y)	DM-1750	1.750	44.45	0.055	1.40
DM-0203	0.203	5.16	0.045	1.14	(Y)	DM-1812	1.812	46.02	0.055	1.40
DM-0207	0.207	5.26	0.045	1.14	(Y)	DM-1875	1.875	47.63	0.055	1.40
DM-0218	0.218	5.54	0.045	1.14	(Z)	DM-1937	1.937	49.20	0.055	1.40
DM-0224	0.224	5.69	0.045	1.14	(J)	DM-2000	2.000	50.80	0.055	1.40
DM-0230	0.230	5.84	0.045	1.14	(Y)	DM-2125	2.125	53.98	0.055	1.40
DM-0234	0.234	5.94	0.045	1.14	(Y)	DM-2156	2.156	54.76	0.055	1.40
DM-0240	0.240	6.10	0.045	1.14	(T)	DM-2250	2.250	57.15	0.055	1.40
DM-0250	0.250	6.35	0.045	1.14	(Y)	DM-2375	2.375	60.33	0.055	1.40
DM-0281	0.281	7.14	0.045	1.14	(Y)	DM-2460	2.460	62.48	0.055	1.40
DM-0290	0.290	7.37	0.045	1.14	(U)	DM-2500	2.500	63.50	0.055	1.40
DM-0304	0.304	7.72	0.045	1.14	(Y)	DM-2625	2.625	66.68	0.055	1.40
DM-0313	0.313	7.95	0.045	1.14	(Y)	DM-2687	2.687	68.25	0.055	1.40
DM-0343	0.343	8.71	0.045	1.14	(X)	DM-2750	2.750	69.85	0.055	1.40
DM-0360	0.360	9.14	0.045	1.14	(Y)	DM-2875	2.875	73.03	0.055	1.40
DM-0375	0.375	9.53	0.055	1.40	(Y)	DM-3000	3.000	76.20	0.055	1.40
DM-0406	0.406	10.31	0.055	1.40	(Y)	DM-3125	3.125	79.38	0.055	1.40
DM-0420	0.420	10.67	0.055	1.40	(M2)	DM-3250	3.250	82.55	0.055	1.40
DM-0437	0.437	11.10	0.055	1.40	(Y)	DM-3375	3.375	85.73	0.055	1.40
DM-0460	0.460	11.68	0.055	1.40	(R)	DM-3500	3.500	88.90	0.055	1.40
DM-0470	0.470	11.94	0.055	1.40	(Y)	DM-3625	3.625	92.08	0.055	1.40
DM-0490	0.490	12.45	0.055	1.40	(Y)	DM-3750	3.750	95.25	0.055	1.40
DM-0500	0.500	12.70	0.055	1.40	(PI)	DM-3825	3.825	97.16	0.055	1.40
DM-0523	0.532	13.51	0.055	1.40	(Y)	DM-3875	3.875	98.43	0.055	1.40
DM-0531	0.531	13.49	0.055	1.40	(NI)	DM-4000	4.000	101.60	0.055	1.40
DM-0544	0.544	13.82	0.055	1.40	(Y)	DM-4125	4.125	104.78	0.055	1.40
DM-0562	0.562	14.27	0.055	1.40	(Y)	DM-4187	4.187	106.35	0.055	1.40
DM-0587	0.587	14.91	0.055	1.40	(M3)	DM-4250	4.250	107.95	0.055	1.40
DM-0600	0.600	15.24	0.055	1.40	(Y)	DM-4375	4.375	111.13	0.055	1.40
DM-0625	0.625	15.88	0.055	1.40	(S1)	DM-4500	4.500	114.30	0.055	1.40
DM-0640	0.640	16.26	0.055	1.40	(S2)	DM-4750	4.750	120.65	0.055	1.40
DM-0665	0.665	16.89	0.055	1.40	(S3)	DM-5000	5.000	127.00	0.055	1.40
DM-0677	0.677	17.20	0.055	1.40	(Y)	DM-5187	5.187	131.75	0.055	1.40
DM-0687	0.687	17.45	0.055	1.40	(Y)	DM-5375	5.375	136.53	0.055	1.40
DM-0725	0.725	18.42	0.055	1.40	(Y)	DM-5500	5.500	139.70	0.055	1.40
DM-0750	0.750	19.05	0.055	1.40	(Y)	DM-5750	5.750	146.05	0.055	1.40
DM-0812	0.812	20.62	0.055	1.40	(Y)	DM-6000	6.000	152.40	0.055	1.40
DM-0843	0.843	21.41	0.055	1.40	(S4)	DM-6250	6.250	158.75	0.055	1.40
DM-0875	0.875	22.23	0.055	1.40	(S5)	DM-6500	6.500	165.10	0.055	1.40
DM-0937	0.937	23.80	0.055	1.40	(S6)	DM-6750	6.750	171.45	0.055	1.40
DM-0985	0.985	25.02	0.055	1.40	(Y)	DM-7000	7.000	177.80	0.055	1.40
DM-1000	1.000	25.40	0.055	1.40	(Y)	DM-7250	7.250	184.15	0.055	1.40
DM-1062	1.062	26.97	0.055	1.40	(Y)	DM-7500	7.500	190.50	0.055	1.40
DM-1090	1.090	27.69	0.055	1.40	(S7)	DM-7750	7.750	196.85	0.055	1.40
						DM-8000	8.000	203.20	0.055	1.40

**UNCONTROLLED**

NEW PRINT  
OCT. 3, 2007  
OBSELETE  
ALL PREVIOUS PRINTS



**WALL THICKNESS SPECIFICATIONS**

"A" DIA ≥ .375 [9.53] = .055 [1.40] + .017 [0.43] / -.012 [0.30]

"A" DIA < .375 [9.53] = .045 [1.14] + .017 [0.43] / -.012 [0.30]

"A" DIA < .172 = .040 [0.01] + .017 [0.43] / -.012 [0.30]

- NOTES:
- INSIDE LENGTH MEASUREMENTS ARE TAKEN FROM THE EDGE OF THE OPEN END TO THE TANGENT POINT OF THE CLOSED END RADIUS AND 10° DRIP ANGLE.
  - NOMINAL WALL THICKNESS IS MEASURED APPROX. 1/4" [6.35] FROM OPEN END
  - NOMINAL WALL INCREASES TOWARD THE CLOSED END.
  - "B" INSIDE LENGTH TO BE SPECIFIED BY CUSTOMER. (D)
  - DIMENSIONS IN INCHES [METRIC] (F)
  - PARTS MAY HAVE GLOSSY OR DULL APPEARANCE. (L2)

DATE	SYM	REVISION RECORD	DR	CHK
07/18/94	A	CHANGED TOLERANCE PER ECN #211	MGT	DS
07/25/94	B	CHANGED SPECS PER ECN #414	MGT	DS
10/25/95	C	CHANGED WALL THK TO .172	RC	DS
11/08/95	D	ADDED TYP PART# DESCRIPTION REMOVED LENGTHS SPEC PER PART NO.# PER ECN #714 ADDED DM-1375 ADDED NOTE #4 REMOVED DM-0677 PER ECN #248	RC	DS
12/14/96	E	CHANGED INSIDE DIA TOL FROM ±.010[0.25] CHANGED WALL THK TOLERANCE FROM ±.010[0.25] PER ECN #739	MGT	DS
02/16/96	F	ADDED METRIC DIM'S & NOTE #5	RC	DS
03/19/97	G	ADDED #DM-2125 & #DM-2500	RC	DS
07/31/97	H	ADDED #DM-0523	RC	DS
12/29/98	J	ADDED #DM-2250	DG	DS
03/03/99	K	MODIFIED DIM LOCATION PER ECN #1134	TT	DS
06/19/01	L1	CHANGED METRIC TOLERANCE - WAS +0.0/-0.02mm PER mm	MB	DS
	L2	ADDED NOTE PER ECN #1321		
06/27/02	M1 M2 M3	ADDED #DM-0230 ADDED #DM-3250 ADDED #DM-4250	DG	DS
2/26/03	N1	ADDED #DM-4000	BJ	DS
4/02/03	P1	ADDED #DM-3825	DG	DS
8/29/03	R	ADDED #DM-3500	BJ	DS
10/06/03	S1 S2 S3 S4 S5 S6 S7	ADDED #DM-4500 ADDED #DM-4750 ADDED #DM-5000 ADDED #DM-6250 ADDED #DM-6500 ADDED #DM-6750 ADDED #DM-8000	DG	GY BY
1/21/04	T	ADDED #DM-2375	BJ	MJ
3/9/04	U	ADDED #DM-2625	BJ	MJ
7/8/04	V	ADDED DM-0587	DG	BS
11/11/04	W	ADDED DM-0420	DG	BY
4/27/05	X	ADDED DM-2750	DG	BY
11/08 2005	Y	ADDED 40 NEW SIZES PER CN #1530	DG	BD
10/3 2007	Z	ADDED DM-1437 AND DM-1937 PER CN #1580	BJ	BD

THIRD ANGLE PROJECTION

MATERIAL:  
VINYL DIP PLASTISOL  
(PVC)

TOLERANCES (UNLESS OTHERWISE SPECIFIED)  
± .02 FOR 2 PLACE DECIMAL DIMENSIONS  
± .010 FOR 3 PLACE DECIMAL DIMENSIONS  
± .005 FOR 4 PLACE DECIMAL DIMENSIONS  
± 3.0° FOR ANGULAR DIMENSIONS  
± 1/32 FOR FRACTIONAL DIMENSIONS

**Alliance Plastics** 3123 Station Road  
P.O. Box 7284  
Erie, Pa. 16510-0284

DATE: 18-JUL-1994 DRWN BY: M TRIMBLE  
SCALE: N.T.S. CHK BY:

NAME:  
VINYL DIP MOLDED PARTS - STANDARD ROUND

PART NUMBER:  
#DM-SERIES

DRAWING NO:  
3 0 2 C 1 9 5

REV.  
Z