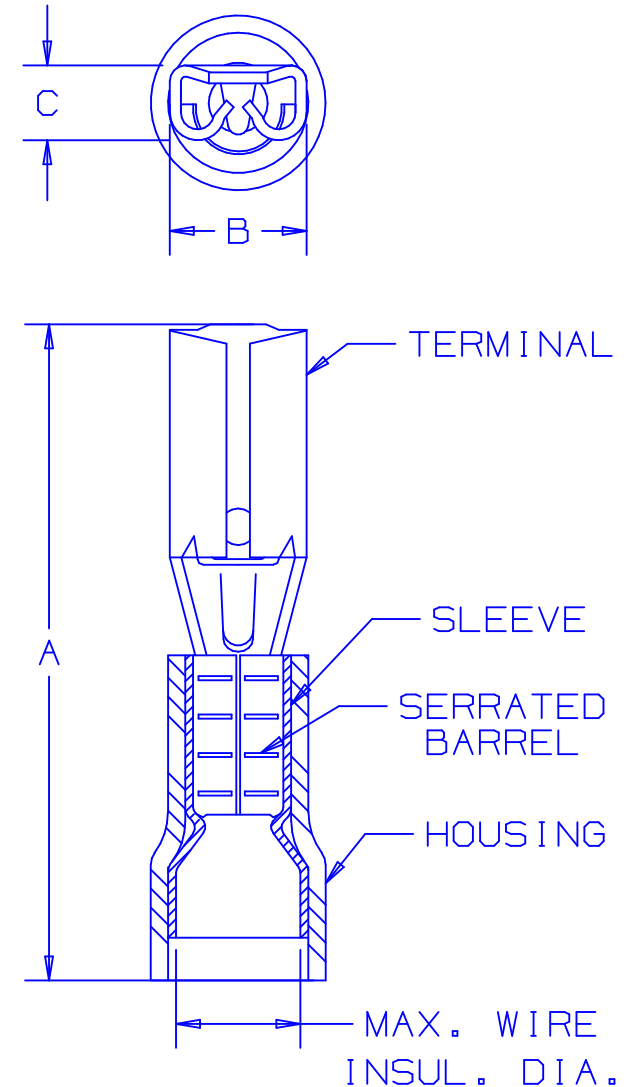


PART #		TAB SIZE	WIRE RANGE mm ²	MAX. INSUL. DIA.	DIMENSIONS ^{mm}		
PREFIX	PK				A ±0,4	B ±0,3	C ±0,3
DMNF1-285	-C -M	2,8 X 0,5 (.110 X .020)	0,5-1,0	2,5 (.10)	17,8 (.70)	3,8 (.15)	2,0 (.08)
DMNF1-288	-C -M	2,8 X 0,8 (.110 X .032)	0,5-1,0	2,5 (.10)	17,6 (.69)	3,8 (.15)	2,0 (.08)

NOTES:

- USED FOR:
 - A. 300V. MAX. VOLTAGE RATING
 - B. STRANDED COPPER WIRE ONLY
 - C. 105° C (221° F) MAX. TEMP. RATING
- MATERIAL:
 - A. STAMPING - 0,25mm (.01) THK BRASS, TIN PLATED
 - B. HOUSING - NYLON, RED
 - C. SLEEVE - BRASS, TIN PLATED
- FIRST INSERTION FORCE - 53 N (12 LB.) MAX
 FIRST WITHDRAWAL FORCE - 53 N (12 LB.) MAX
 27 N (6 LB.) MIN
- DIMENSIONS IN BRACKETS ARE IN INCHES
- A. STD: C=100
 B. BULK: M=1000
- WIRE STRIP LENGTH: 5,6 ^{+0,8}₋₀ (7/32 ^{+1/32}₋₀)
- INSTALLATION TOOLS: REF. DWGS.
 A41522, A41523, A41524, A41525



A41447_04

04	11/04	KLFU		ADDED GEOMETRY				PANDUIT CORP. TINLEY PARK, ILLINOIS NYLON INSULATED FEMALE METRIC DISCONNECT FUNNELED WIRE ENTRY (2,8 TAB SIZE) 0,5-1,0 mm ² BARREL
03	7/98	TM	RLS	UPDATED PART NUMBERS AND WIRE RANGE	07035	LA	DBH	
02	10/97	TM	WB	CHANGED DECIMAL POINTS TO COMMAS	06433	LA	DH	
01	1/97	TM	RLS	UPDATE DIMENSIONS FILESPEC WAS NPC_A41447_00	05478	LA	DH	
REV	DATE	BY	CHK	DESCRIPTION	ECN	CUST	PM	DRAWN BY BDK CHK'D SCALE NONE DRAWING NO. A41447