



| | | |
|-----------------------------|---|---------------|
| Identification | Type | EMVS 03-46812 |
| | Part-No. | 346812 |
| | EMC shield rail EMC shield rail with cable clamping options for a wide variety of shield clamps | |
| Technical data | | |
| Number of shield points | 46 | |
| Dimensions (w x h x d) | 21.5 x 75.0 x mm | |
| Length | 1173.00 mm | |
| Weight (kg/piece) | 1.169 kg/piece | |
| General | | |
| Material | ST37-2-G | |
| Surface | burr-free | |
| Color | sendzimier-zinc-plated 20-25 µm | |
| Storage temperature range | -30 °C – 90 °C | |
| Operation temperature range | -5 °C – + 80 °C | |
| PU | 1 | |
| Comments | Mounting hole, diam. 8.5 mm, is made by the user. Shield rails are mounted via spacing rollers DR 20x18/8.5 Article no. 330930.0100 possible screw M8x30, Article no. 331050.0100 | |

20.04.2016 – Subject to technical modification

Part-No. 346812

USA: LUTZE INC.

13330 South Ridge Drive • Charlotte, NC 28273, USA
Tel. +1 (704) 504-0222 • Fax +1 (704) 504-0223
www.lutze.com • info@lutze.com

United Kingdom: LUTZE Ltd.

Unit 3, Sandy Hill Park
Sandy Way, Amington • GB-Tamworth, Staffs B77 4DU
Tel. +44 (0)1827 31333-0 • Fax +44 (0)1827 31333-2
www.lutze.com • sales.gb@lutze.co.uk

Technical data sheet • EMC accessories

| usable shield clamps | for cable Ø mm | Type | Article number | PU |
|-----------------------------|-----------------------|-------------|-----------------------|-----------|
| Shield clamp | 0–12 | EMVSK 12 | 330089.0100 | 100 |
| spring shield clamp | 12–20 | EMVFSK 1 | 330071.0010 | 10 |
| spring shield clamp | 20–30 | EMVFSK 2 | 330072.0010 | 10 |
| spring shield clamp | 30–50 | EMVFSK 3 | 330073.0010 | 10 |
| Metal tie wrap | 250 mm length | KSE | 330060.0010 | 10 |

| as clamping option | for cable Ø mm | Type | Article number | PU |
|---------------------------|-----------------------|-------------|-----------------------|-----------|
| Cable clamp | 8–12 | KS 0 | 331000.0010 | 10 |
| Cable clamp | 12–16 | KS 1 | 331001.0010 | 10 |
| Cable clamp | 16–22 | KS 2 | 331002.0010 | 10 |
| Cable clamp | 34–40 | KS 3 | 331003.0010 | 10 |
| Cable clamp | 52–58 | KS 4 | 331004.0010 | 10 |

20.04.2016 – Subject to technical modification

Part-No. 346812

USA: LUTZE INC.

13330 South Ridge Drive • Charlotte, NC 28273, USA

Tel. +1 (704) 504-0222 • Fax +1 (704) 504-0223

www.lutze.com • info@lutze.com

United Kingdom: LUTZE Ltd.

Unit 3, Sandy Hill Park

Sandy Way, Amington • GB-Tamworth, Staffs B77 4DU

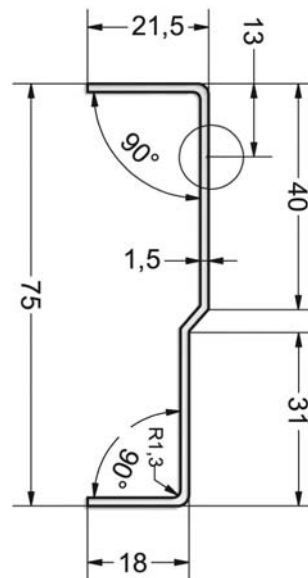
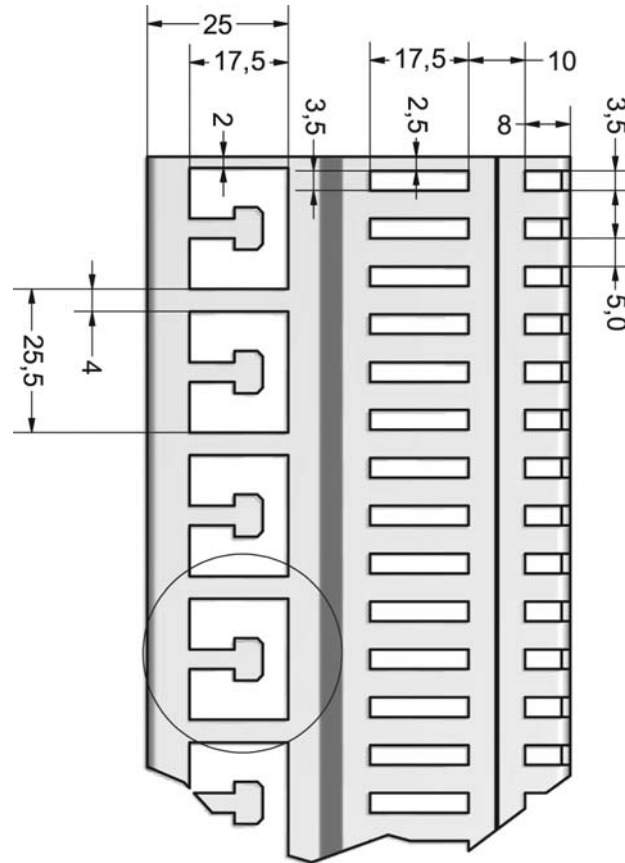
Tel. +44 (0)1827 31333-0 • Fax +44 (0)1827 31333-2

www.lutze.com • sales.gb@lutze.co.uk



SYSTEMATIC TECHNOLOGY

Dimensions



20.04.2016 – Subject to technical modification

Part-No. 346812

USA: LUTZE INC.

13330 South Ridge Drive • Charlotte, NC 28273, USA
Tel. +1 (704) 504-0222 • Fax +1 (704) 504-0223
www.lutze.com • info@lutze.com

United Kingdom: LUTZE Ltd.

Unit 3, Sandy Hill Park
Sandy Way, Amington • GB-Tamworth, Staffs B77 4DU
Tel. +44 (0)1827 31333-0 • Fax +44 (0)1827 31333-2
www.lutze.com • sales.gb@lutze.co.uk