

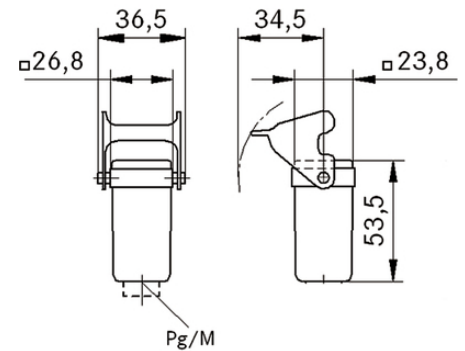
## EPIC® H-A 3 MTGVB

Innovative metal and plastic housing design

The metal housing for placement in rectangular connectors can be selected with or without a cable outlet.

### Info

Small, rugged metal housing  
Protection rating UL50E tested



Waterproof



Robust



Mechanical resistance



### Benefits

Housing in plastic or metal version. For power supply in the smallest possible space

### Application range

Machine and equipment manufacturing  
Control engineering  
Electronic laboratory

## EPIC® H-A 3 MTGVB

### Product features

Cable coupler hood  
1 lever  
Straight cable entry  
Versions with / without cable gland

### Technical Data

Classification:	ETIM 5.0 Class-ID: EC000437 ETIM 5.0 Class-Description: Housing for industrial connectors
Material:	Housing: powder-coated zinc die-casting, grey Lever: zinc-plated steel
Protection rating:	IP 65 (latched) NEMA 250, UL50E: 12, 4 (latched)
VDE-tested:	Certified production control: VDE-REG. no.: B437 UL-tested: UL File Number: E75770
Temperature range:	-40°C to +100°C, short-term up to +125°C

### Note

Photographs are not to scale and do not represent detailed images of the respective products.  
Prices are net prices without VAT and surcharges. Sale to business customers only.

**EPIC® H-A 3 MTGVB**

Article number	Article description	M	PG	Material	Colour	Cable gland	Cable clamping range
H-A housing: cable coupler hood (straight cable entry)							
10512900	H-A 3 MTgvb	-	11	Zinc die-casting	grey	-	-
10429500	H-A 3 MTgvb	-	11	Zinc die-casting	grey	yes	6.5 - 12
19512900	H-A 3 MTgvb M20	20	-	Zinc die-casting	grey	-	-

Last Update (23.04.2018)

©2018 Lapp Group - Technical changes reserved

Product Management [www.lappkabel.de](http://www.lappkabel.de)You can find the current technical data in the corresponding data sheet.  
PN 0456 / 02\_03\_16