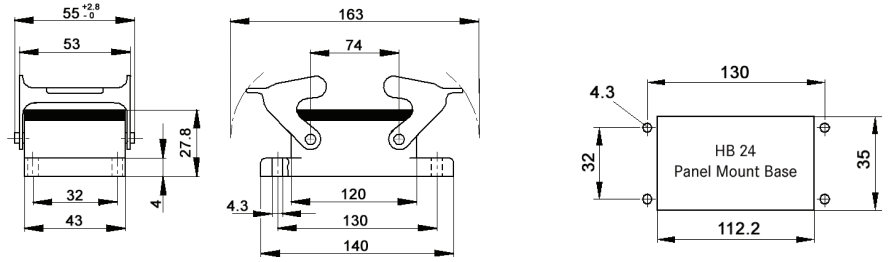
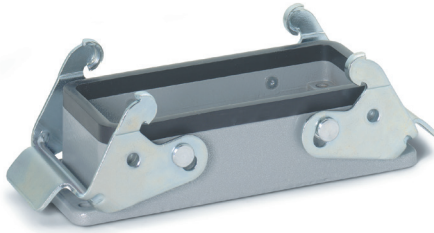


EPIC® HB 24 Panel Mount Bases

Double Levers



All dimensions are in mm.

Technical Data

Specifications:	DIN 43652	Protection Class:	NEMA 4, NEMA 12, IP65
Temperature Range:	-40°C to +125°C	Material:	Powder-coated aluminum alloy

Description	Part Number
Panel Mount Base	101020C0

Complete the Installation



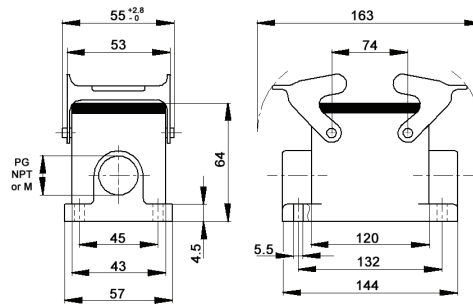
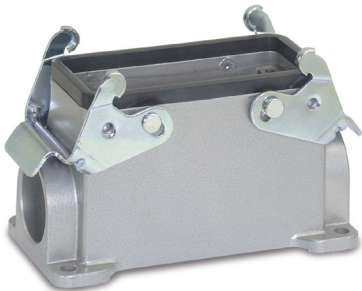
HB Dust Covers:
page 415

Approvals



EPIC® HB 24 Surface Mount Bases

Double Levers



All dimensions are in mm.

Technical Data

Specifications:	DIN 43652	Protection Class:	NEMA 4, NEMA 12, IP65
Temperature Range:	-40°C to +125°C	Material:	Powder-coated aluminum alloy

PG	Size of Entry		PG	Part Number			Complete the Installation: SKINTOP® Strain Relief, page 368			
	NPT	Metric		NPT	Metric	Metric	PG Nylon	PG Metal	Metric Nylon	Metric Metal
2 Entries										
21	3/4"	25	101050	101050NP	19105000	53015050	52015750	53111030	53112030	
1 Entry										
21	3/4"	25	101040	101040NP	19104000	53015050	52015750	53111040	53112030	

Approvals



Complete the Installation

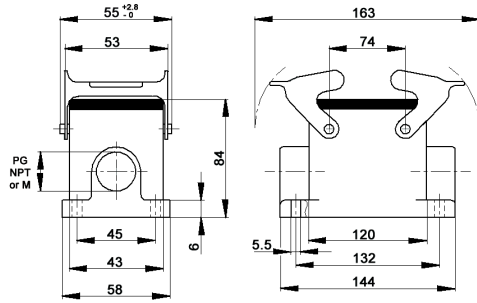


HB Dust Covers:
page 415

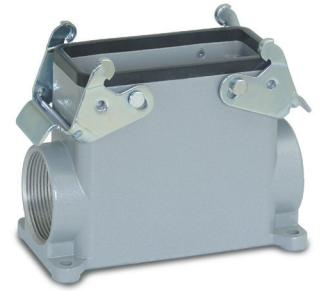
Photographs are not to scale and are not true representations of the products in question. For current information go to our website. If not otherwise specified, all values relating to the product are nominal values.

EPIC® HB 24 High Profile Surface Mount Bases

Double Levers



All dimensions are in mm.



Technical Data			
Specifications:	DIN 43652	Protection Class:	NEMA 4, NEMA 12, IP65
Temperature Range:	-40°C to +125°C	Material:	Powder-coated aluminum alloy

PG	Size of Entry		PG	Part Number		Complete the Installation: SKINTOP® Strain Relief, page 368			
	NPT	Metric		NPT	Metric	PG Nylon	PG Metal	Metric Nylon	Metric Metal
2 Entries									
21	3/4"	25	701362	701362NP	79136200	53015050	52015750	53111030	53112030
29	1"	32	701364	701364NP	79136400	53015060	52015760	53111040	53112040
1 Entry									
21	3/4"	25	701352	701352NP	79135200	53015050	52015750	53111030	53112030
29	1"	32	701354	701354NP	79135400	53015060	52015760	53111040	53112040

Approvals

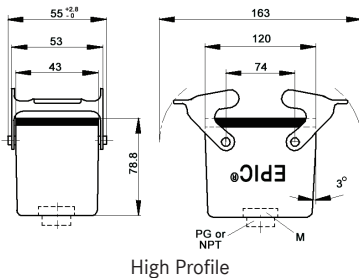


Complete the Installation

HB Dust Covers: page 415

EPIC® HB 24 Cable Coupler Hoods

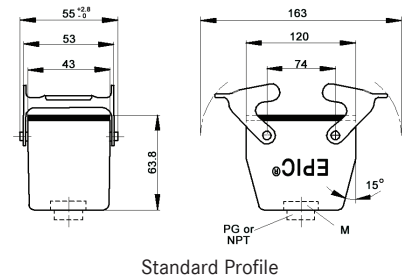
Double Levers



High Profile



All dimensions are in mm.



Standard Profile

Technical Data			
Specifications:	DIN 43652	Protection Class:	NEMA 4, NEMA 12, IP65
Temperature Range:	-40°C to +125°C	Material:	Powder-coated aluminum alloy

PG	Size of Entry		PG	Part Number		Complete the Installation: SKINTOP® Strain Relief, page 368			
	NPT	Metric		NPT	Metric*	PG Nylon	PG Metal	Metric Nylon	Metric Metal
Standard Profile									
21	3/4"	25	101270	101270NP	19127000	53015050	52015750	53111030	53112030
29	1"	32	101170	101170NP	19117000	53015060	52015760	53111040	53112040
High Profile									
21	3/4"	25	701404R	701404NP	79140400	53015050	52015750	53111030	53112030
29	1"	32	701406	701406NP	79140600	53015060	52015760	53111040	53112040

* Metric hoods do not come with a neck.

Approvals



Complete the Installation

HB Dust Covers: page 415

Photographs are not to scale and are not true representations of the products in question. For current information go to our website. If not otherwise specified, all values relating to the product are nominal values.