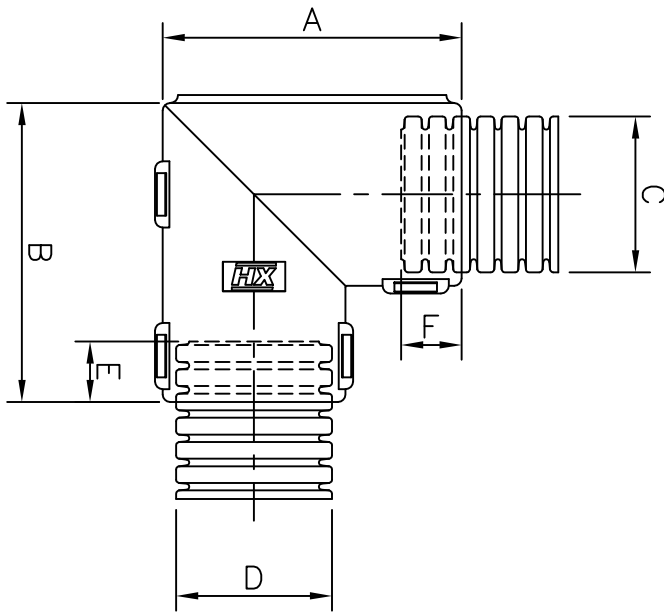
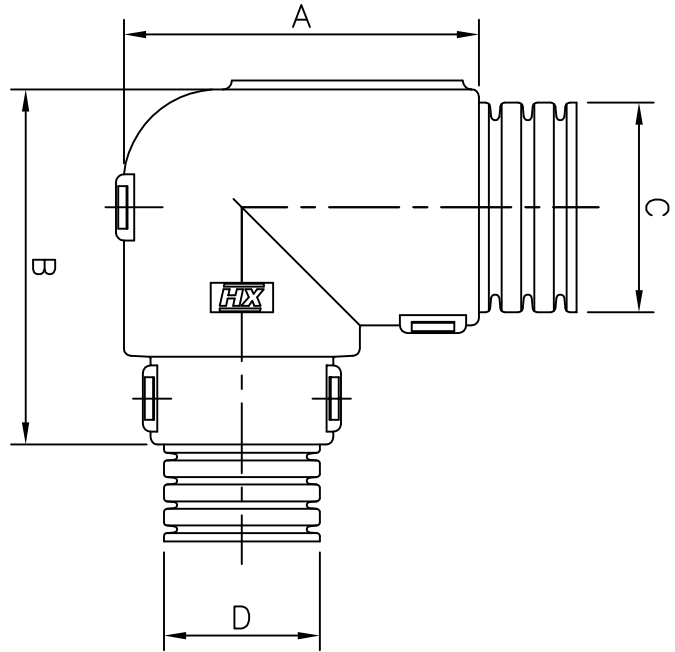


This drawing/document is a COPYRIGHT and the property HARNESSFLEX LIMITED It must not be copied (in whole or part) used for manufacture or otherwise disclosed without prior written consent of the company. The Company's policy is one of continuous improvement and it therefore reserves the right to change specifications at any time without notice.

TYPE 1



TYPE 2



PART No.	TYPE	DIMENSIONS mm		NC CONDUIT SIZE		DIMENSIONS mm	
		A	B	C	D	E	F
EPS1608	1	34.3	34.3	16	08	10	10
EPS1612	1	34.3	34.3	16	12	10	10
EPS1616	1	34.3	34.3	16	16	10	10
EPS2012	1	40.7	40.7	20	12	12	10
EPS2016	1	40.7	40.7	20	16	12	10
EPS2020	1	40.7	40.7	20	20	12	12
EPS2520	2	48.3	48.3	25	20	13	13
EPS2525	2	48.3	48.3	25	25	13	13
EPS2812	2	48.3	48.3	28	12	13	10
EPS2816	2	48.3	48.3	28	16	13	10
EPS2820	2	48.3	48.3	28	20	13	12
EPS2825	2	48.3	48.3	28	25	13	13
EPS2828	2	48.3	48.3	28	28	13	13

Harnessflex
BIRMINGHAM ENGLAND

MATERIAL **NYLON 66**
FINISH **FINE SPARK**
COLOUR **BLACK**
DATE **14/1/01**
CHARTS HX-04

TITLE

**HINGED
ELBOW
DATA SHEET**