

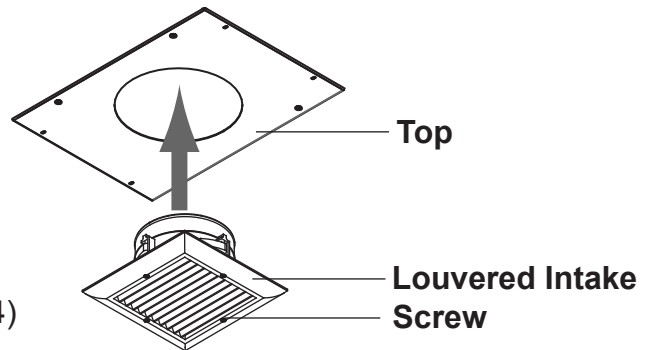
# INSTRUCTION SHEET

## DUCT-COOL SERIES

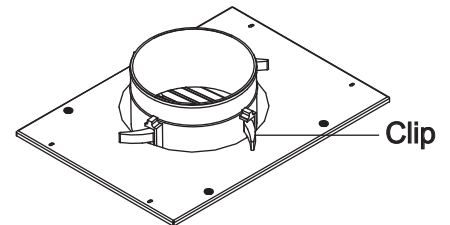
### MW / ERK / BGR DUCT-COOL TOP OPTION

#### INSTALLATION

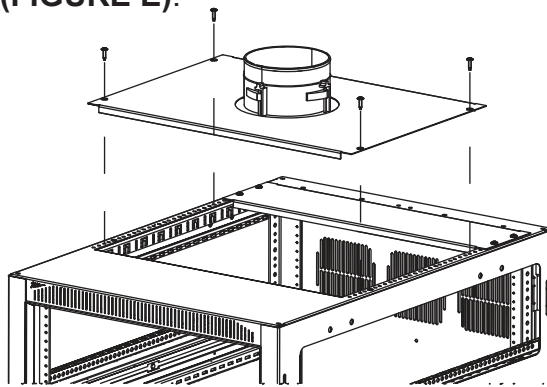
- 1) Insert the louvered Intake into the underside of the top, flanges facing down. **(FIGURE A)**
- 2) Tighten the (4) four screws on the intake using a Phillips head screwdriver. The clips will automatically swing into the proper position, securing the louvered Intake. **(FIGURE B)**
- 3) For BGR, install top and intake as shown using (4) 10-32 rack screws (not supplied) **(FIGURE C)**. For ERK and MW, install top and intake using provided grommet nuts and screws. **NOTE:** The ERK and BGR Enclosures have four (4) mounting holes **(FIGURE C, FIGURE D)**, and the MW Enclosure has five (5) mounting holes **(FIGURE E)**.



**FIGURE A**

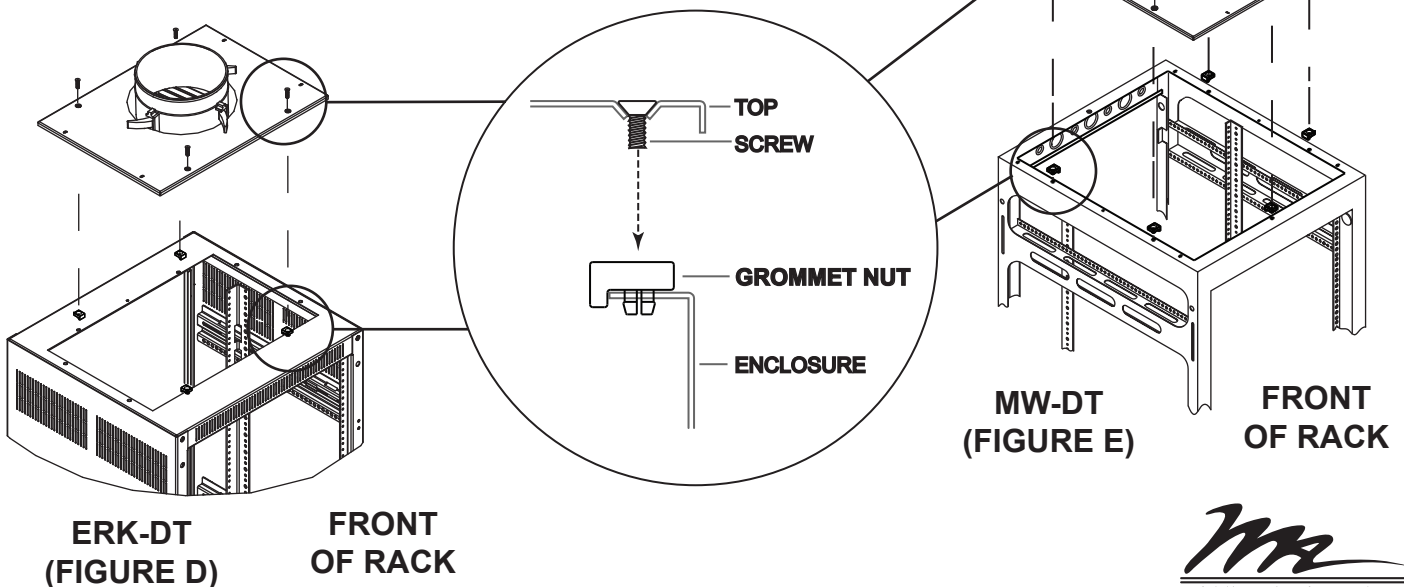


**FIGURE B**



**BGR (FIGURE C)**

**NOTE:** For MW Series Top bonding, and bonding of the two space panel to the MW top, see page 2.



## INSTALLATION CONTINUED

4) Place the enclosure in fixed position.

**NOTE:** Make sure the Flexible Duct is connected to the DUCT-COOL.

5) If required, cut the Flexible Duct provided with the DUCT-COOL to appropriate length.

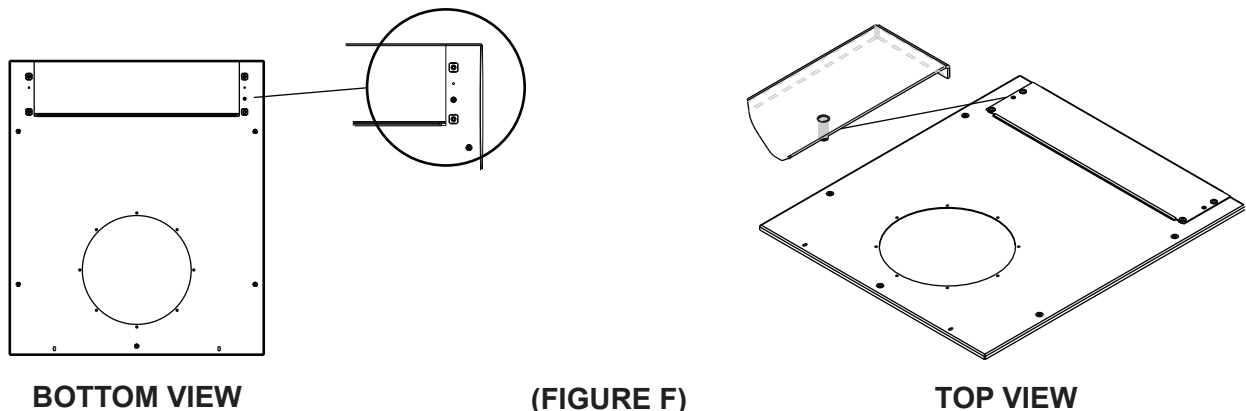
6) Pull back the outer insulation on the Flexible Duct.

7) Attach Flexible Duct to Louvered Intake with the Clamp provided with the DUCT-COOL.

8) Run the Temperature Probe included with the DUCT-COOL to the desired location in the enclosure by passing the Probe wire through one of the available holes in the top or another opening. Mount the Temperature Probe at the highest available location.

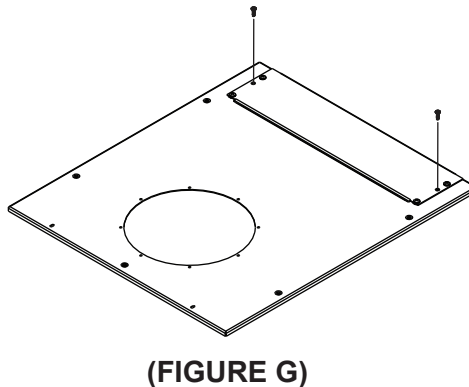
## BONDING OF MW TOP

- The MW top can be bonded with the factory installed bonding stud. **(FIGURE F)**



## BONDING THE TWO SPACE PANEL

- The two space panel can be bonded to the top using the two provided 6/32 X 5/16 star screws using a T-10 star wrench. **(FIGURE H)**



## **WARRANTY**

Middle Atlantic Products, Inc. (the "Company") warrants the Duct-Cool Top Option to be free from defects in material or workmanship under normal use and conditions for the lifetime of the product.

The Company's entire liability to the purchaser, and the purchaser's (or any other party's) sole and exclusive remedy, under this warranty shall be limited, at the Company's option, to either (a) return of and refund of the price paid for, or (b) repair or replacement at the Company's factory of the products purchased, or any part or parts thereof, which the Company has determined to be defective after inspection thereof at the Company's factory. This warranty does not cover damage due to acts of God, accident, misuse, abuse or negligence by parties other than the Company, or any modification or alteration of the products. In addition, this warranty does not cover damage due to improper handling, assembly, installation or maintenance.

THIS WARRANTY IS IN LIEU OF ALL OTHER WARRANTIES OF ANY KIND, EITHER EXPRESSED OR IMPLIED, INCLUDING, BUT NOT LIMITED TO, IMPLIED WARRANTIES OF MERCHANTABILITY AND FITNESS FOR A PARTICULAR PURPOSE.

TO THE MAXIMUM EXTENT PERMITTED BY APPLICABLE LAW, IN NO EVENT SHALL THE COMPANY BE LIABLE FOR ANY SPECIAL, INCIDENTAL, INDIRECT, OR CONSEQUENTIAL DAMAGES WHATSOEVER (INCLUDING, WITHOUT LIMITATION, DAMAGES FOR LOSS OF BUSINESS PROFITS, BUSINESS INTERRUPTION OR ANY OTHER PECUNIARY LOSS) ARISING OUT OF THE USE OF THE PRODUCTS PURCHASED, EVEN IF THE COMPANY HAS BEEN ADVISED OF THE POSSIBILITY OF SUCH DAMAGES. THE COMPANY'S LIABILITY TO THE PURCHASER (OR ANY OTHER PARTY) HEREUNDER, IF ANY, SHALL IN NO EVENT EXCEED THE PURCHASE PRICE OF THE PRODUCTS PAID TO THE COMPANY.

### **Corporate Headquarters**

Corporate Voice 973-839-1011 - Fax 973-839-1976 / International Voice +1 973-839-8821 - Fax +1 973-839-4982  
middleatlantic.com - info@middleatlantic.com

### **Middle Atlantic Canada**

Voice 613-836-2501 - Fax 613-836-2690 / middleatlantic.ca - customerservicecanada@middleatlantic.ca

### **Factory Distribution**

USA: NJ - CA - IL Canada: ON - BC

**At Middle Atlantic Products we are always listening. Your comments are welcome.**

Middle Atlantic Products is an ISO 9001 and ISO 14001 Registered Company.