



EWR Series Economical Wall Cabinet



US PATENT #7,278,183

EIA/TIA Compliant



Spec. # 96-01004 for full product info.

Consider an EWR wall cabinet when installing smaller systems and an economical solution is required.

This pivoting, sectional wall cabinet provides unparalleled quality at an aggressive price and is ideal for use in both secured and nonsecured areas.



EWR-10-17SD

Structural Features

- Fully welded construction for strength
- Patented Tool Free Quick-Mount™ system for easy attachment of the center section to the backpan on the jobsite
- Reversible padlockable center section keyed separately from optional front door
- Optimized for passive thermal management
- Finished in a durable black textured powder coat

Regulatory / Certifications

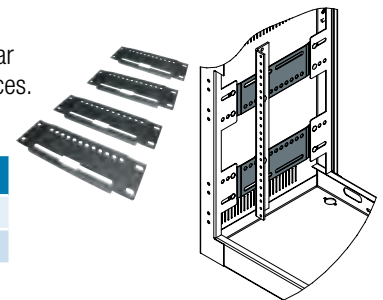
- 150 lb. weight capacity
- UL Listed in the US and Canada
- GREENGUARD Indoor Air Quality Certified for Children and Schools (the most strict level)



Rackrail Bracket Extender

Convert the EWR to full front to rear adjustable rackrail, includes 4 pieces.

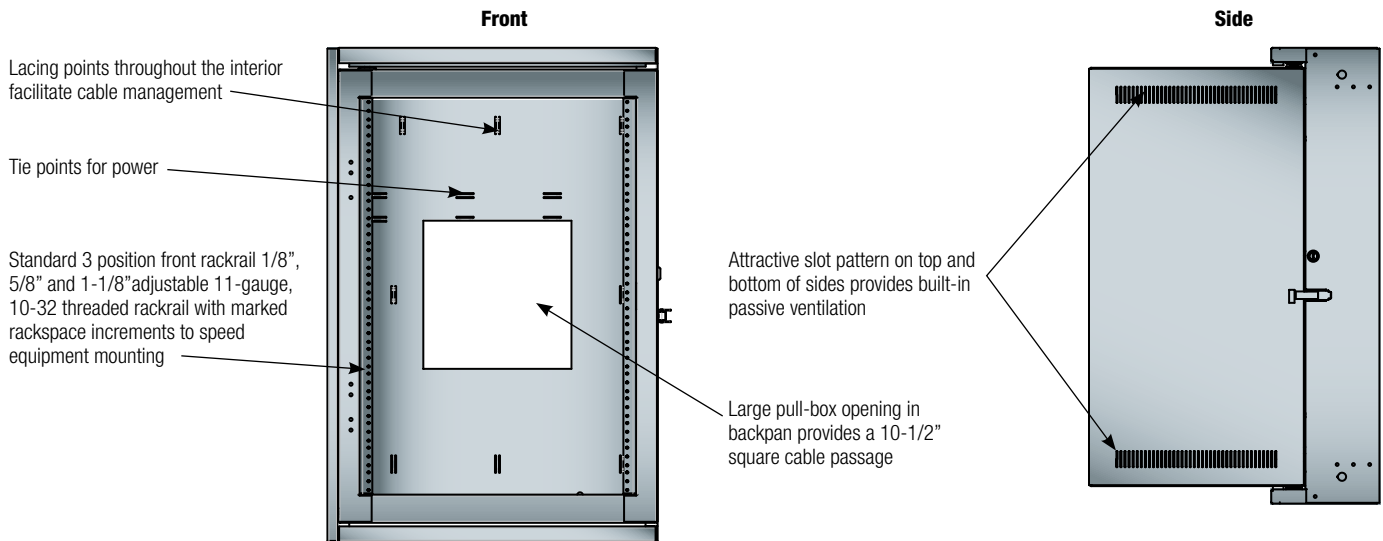
Part #	Fits
EWR-ARB-17	17" deep EWRs
EWR-ARB-22	22" deep EWRs



Part #	Fully Assembled with Solid Front Door Part #	Racking Height	Overall Height	Useable Depth	Overall Depth	Overall Width*	Weight Capacity	Recommended Power•
EWR-8-17	EWR-8-17SD	14" (8 space)	21"	15"	17-5/16"	24-11/32"	150 lbs.	C
EWR-8-22	EWR-8-22SD	14" (8 space)	21"	20"	22-5/16"	24-11/32"	150 lbs.	C
EWR-10-17	EWR-10-17SD	17-1/2" (10 space)	24-1/2"	15"	17-5/16"	24-11/32"	150 lbs.	C
EWR-10-22	EWR-10-22SD	17-1/2" (10 space)	24-1/2"	20"	22-5/16"	24-11/32"	150 lbs.	C
EWR-12-17	EWR-12-17SD	21" (12 space)	28"	15"	17-5/16"	24-11/32"	150 lbs.	C
EWR-12-22	EWR-12-22SD	21" (12 space)	28"	20"	22-5/16"	24-11/32"	150 lbs.	C
EWR-16-17	EWR-16-17SD	28" (16 space)	35"	15"	17-5/16"	24-11/32"	150 lbs.	C
EWR-16-22	EWR-16-22SD	28" (16 space)	35"	20"	22-5/16"	24-11/32"	150 lbs.	C

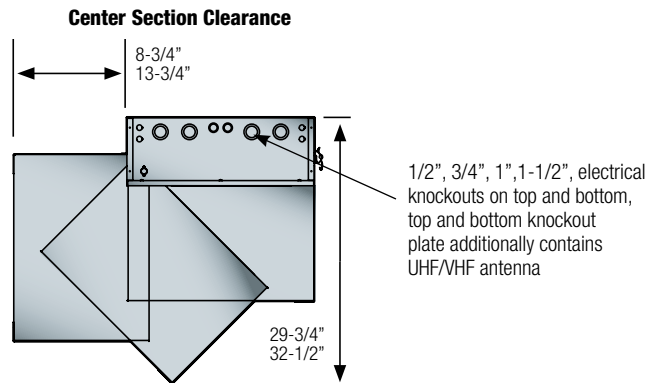
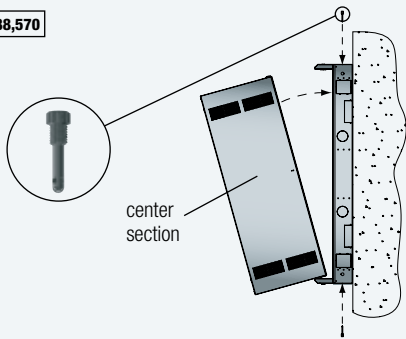
*Not including latch. •for more info refer to pgs. 96-117





Tool Free Quick-Mount™ System

US PATENT #7,188,570



Complete your Rack System with the following options and accessories:



Power Distribution
pgs. 96-117



Thermal Management
pgs. 118-129



Cable Management
pgs. 130-143



Rack Accessories
pgs. 144-169

Rack Options: The options listed below are the most widely used accessories for this series of enclosure but is not inclusive of all available items. For additional options and/or more information on the items listed below reference the Enclosure Options section of the catalog.

Part #	Front Doors				Additional 10-32 Threaded Rackrail
	Solid	Plexi	64% Open Area Perf	Partially Vented	
EWR-8-17	FD-8	PFD-8	LVFD-8	EVFD-8	DWR-RR8
EWR-8-22	FD-8	PFD-8	LVFD-8	EVFD-8	DWR-RR8
EWR-10-17	FD-10	PFD-10	LVFD-10	EVFD-10	DWR-RR10
EWR-10-22	FD-10	PFD-10	LVFD-10	EVFD-10	DWR-RR10
EWR-12-17	FD-12	PFD-12	LVFD-12	EVFD-12	DWR-RR12
EWR-12-22	FD-12	PFD-12	LVFD-12	EVFD-12	DWR-RR12
EWR-16-17	FD-16	PFD-16	LVFD-16	EVFD-16	DWR-RR16
EWR-16-22	FD-16	PFD-16	LVFD-16	EVFD-16	DWR-RR16

for more info refer to pgs. 32-37

