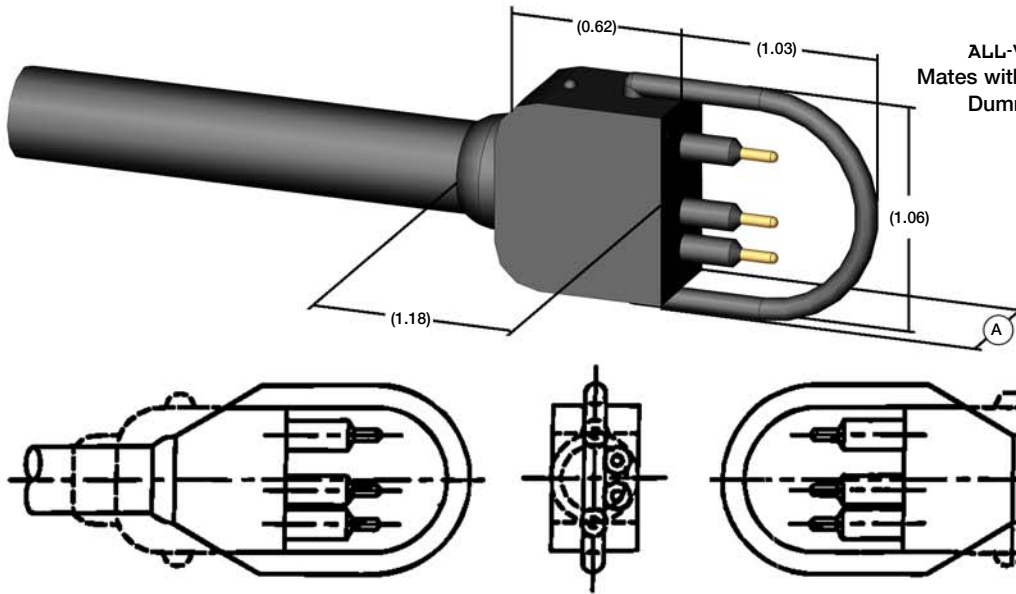


DIMENSION DETAILS

ALL-WET SERIES FAW-P-MP

ALL-WET Flat In-Line Connector
Mates with FAW-S-FS and FAW-S-BC-R/A
Dummy Connector: FAW-S-FSD



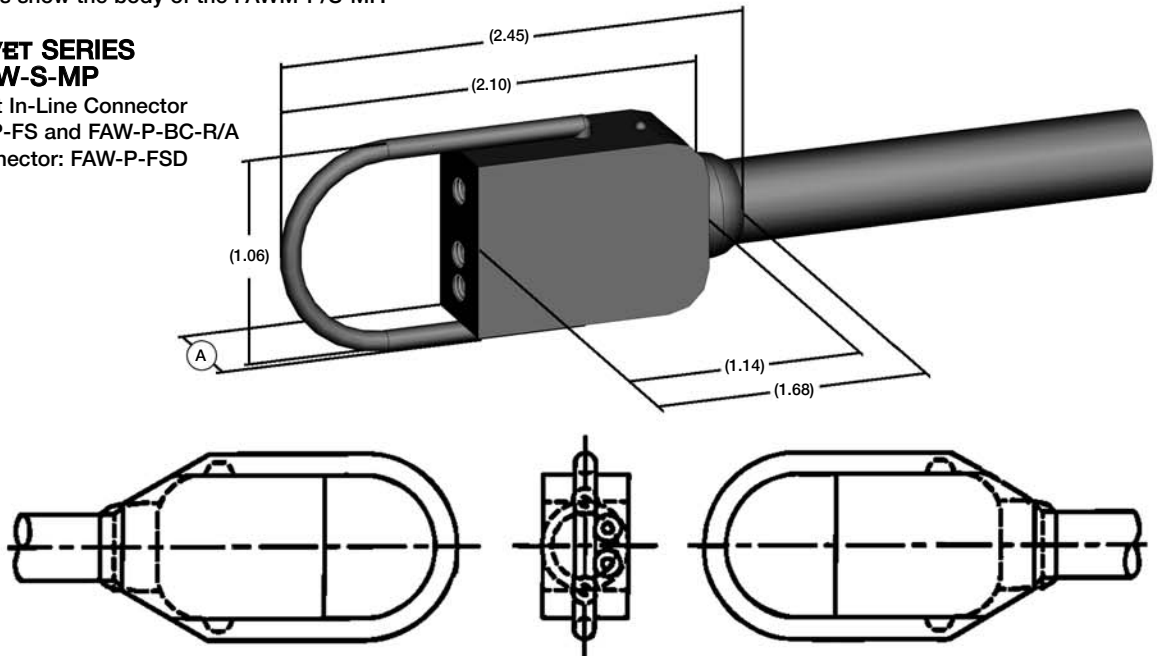
CONNECTOR	A - (INCHES)
FAWL-P-MP	0.50
FAWM-P-MP	0.63

NOTES:

- Neoprene lanyard wraps around groove on in-line or bulkhead mate.
- Dummy connectors: Optional.
- Dummy Shorting Plug: Optional.
- Connectors must be lubricated prior to mating.
- The broken lines show the body of the FAWM-P/S-MP.

ALL-WET SERIES FAW-S-MP

ALL-WET Flat In-Line Connector
Mates with FAW-P-FS and FAW-P-BC-R/A
Dummy Connector: FAW-P-FSD



CONNECTOR	A - (INCHES)
FAWL-S-MP	0.50
FAWM-S-MP	0.63