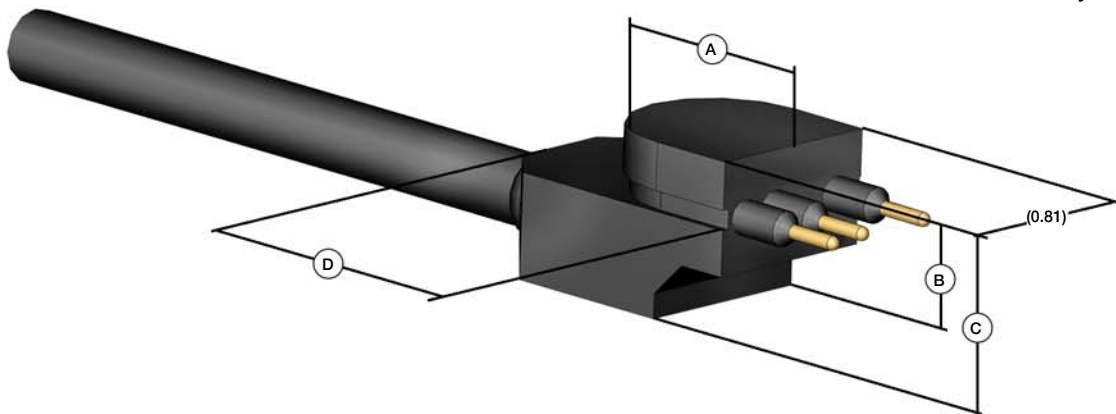


DIMENSION DETAILS

**ALL-WET SERIES
FAW-P-FS**
 ALL-WET Flat In-Line Connector
 Mates with FAWL-S-MP
 Dummy Connector: FAW-S-MPD

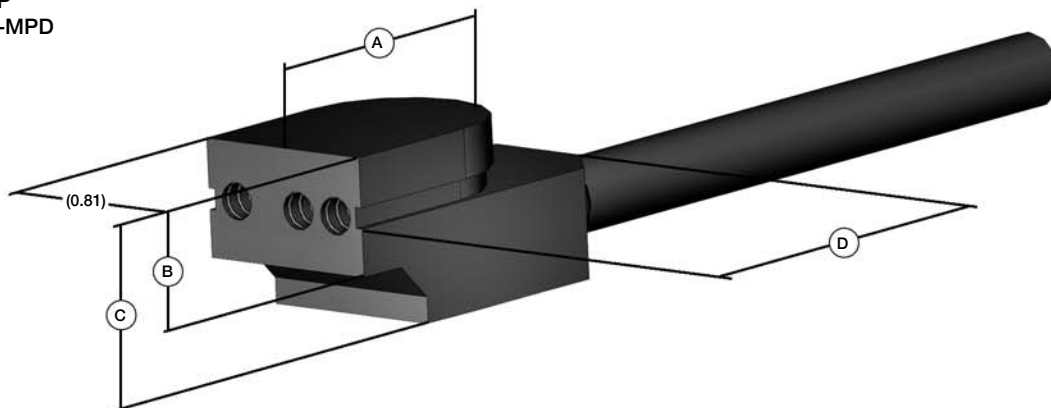


CONNECTOR	A - (INCHES)	B - (INCHES)	C - (INCHES)	D - (INCHES)
FAWL-P-FS	0.81	0.50	0.88	1.31
FAWM-P-FS	0.98	0.63	0.94	1.33

NOTES:

- Dummy Connector: Optional.
- Dummy Shorting Plug: Optional.
- Connectors must be lubricated prior to mating.

**ALL-WET SERIES
FAW-S-FS**
 ALL-WET Flat In-Line Connector
 Mates with FAWL-P-MP
 Dummy Connector: FAW-P-MPD



CONNECTOR	A - (INCHES)	B - (INCHES)	C - (INCHES)	D - (INCHES)
FAWL-S-FS	1.05	0.50	0.88	1.55
FAWM-S-FS	1.15	0.63	0.94	1.52