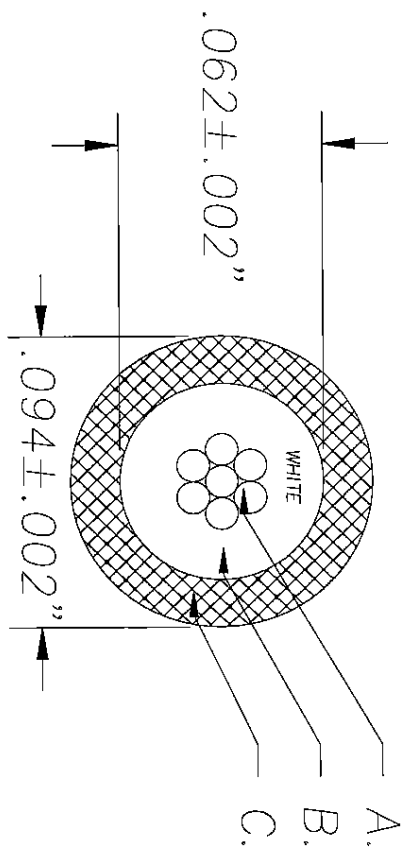




**NORTHWIRE RESTRICTED**

This document contains Northwire, Inc. proprietary data, and is not to be copied, reproduced, used or divulged to unauthorized persons, in whole or in part, without proper authorization in writing from Northwire, Inc. This information is the property of Northwire, Inc. which reserves all rights to it.

DESC: 22/1 AWM 1110 105°C 300V	DWG NO: 2201A001
SCALE: 25x	DATE: 9/22/98
DR. BY: KJ RECTOR	NWI P/N: FAWM221-001



ITEM	SPECS
A.	22 AWG 7X.0096" TC CONCENTRIC OD .028 ± .002"
B.	15 MIL NOMINAL SRPVC INSULATION 105°C 600V 13 MIL MINIMUM SRPVC INSULATION AWM STYLE 10335 OD .062 ± .002"
C.	15 MIL NOMINAL TUBED PVC JACKET 105°C 300V 13 MIL MINIMUM TUBED PVC JACKET 300V COLOR GRAY  CABLE IS UL AND CSA APPROVED

**ELECTRICAL REQUIREMENTS:**  
NONE SPECIFIED

**MECHANICAL REQUIREMENTS:**  
JACKET TIGHTNESS: 3 LB MINIMUM STRIP FORCE

BLACK INK PRINTED LEGEND TO READ:  
FIRST LAYER: RU AWM 105°C 600V E54661 CSA AWM I A/B 105°C 600V FT1 LL54185  
OUTER LAYER: RU AWM 1110 105°C 300V E54661 CSA AWM I/II A/B 105°C 300V FT1 LL54185

RELEASED TO MFG.	A	09/23/01	D.O
ADDED STRIP FORCE REQUIREMENTS	3	3/28/00	DPL
CHANGED FINISHED STYLE FROM 10340 TO 1110, CHANGED COLOR FROM BLACK TO GRAY, ADDED CSA APPROVAL, CHANGED FINISHED O.D. FROM .092	2	3/24/99	DPL
CHANGED LEGEND FROM UL AND CSA	1	11/18/98	JRF
REVISION RECORD	REV	REV DATE	APPROVAL