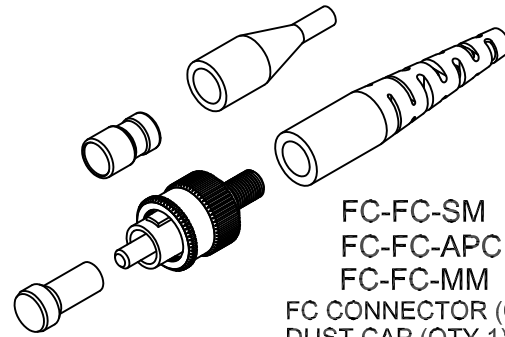


NOTES: UNLESS OTHERWISE SPECIFIED.

1. EACH FIBER CONNECTOR KIT IS SUPPLIED WITH ONE CLEAR FIBER TUBING.

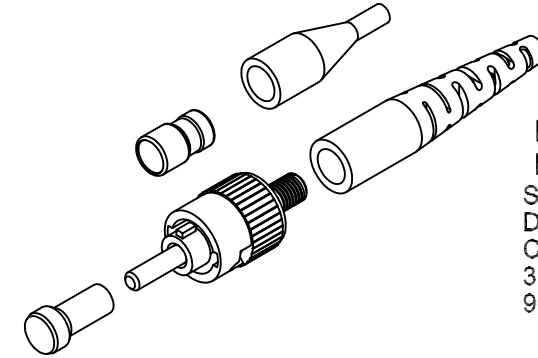
2. CONNECTOR SPECIFICATIONS (MULTIMODE)

INSERTION LOSS (AVERAGE): STANDARD CERAMIC FERRULE: 0.2 dB
 REFLECTANCE: -20 dB FOR PC
 -20 dB FOR SUPER PC
 -20 dB FOR ULTRA PC
 -20 dB FOR ANGLED PC
 DURABILITY: ≤ 0.2 dB CHANGE. 500 REMATINGS, FOTP-21
 TENSILE STRENGTH: ≤ 0.2 dB CHANGE, 15 LB, FOTP-6
 TEMPERATURE CYCLING: -40° TO +75°C, 21 CYCLES, < 0.3 dB CHANGE
 MATERIAL: FERRULE: PRERADIUSED ZIRCONIA
 HOUSING: THERMOPLASTIC



FC-FC-SM
 FC-FC-APC
 FC-FC-MM
 FC CONNECTOR (QTY 1)
 DUST CAP (QTY 1)
 CRIMP RING (QTY 1)
 3.0mm BOOT (QTY 1)
 900µm BOOT (QTY 1)

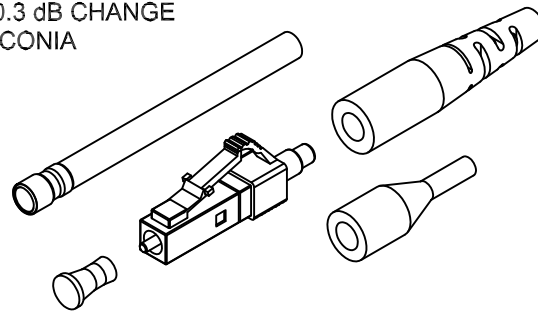
REVISION HISTORY					
REV	SHT	DESCRIPTION	DATE	ECN	CHECKED
A	ALL	RELEASE NEW	11/14/08	NEW	RBS
B	-	ADDED: APC CONNECTOR OPTIONS	2/7/11	-	RBS
C	-	ADDED: 3.0mm LC/MM CONNECTOR OPTIONS	4/7/11	-	RBS
D	-	ADDED: 3.0mm LC/SM CONNECTOR OPTIONS	4/26/11	-	RBS
E	-	ADDED: NOTE FOR UL94V-0 COMPLIANCE	7/29/11	-	DI



FC-ST-SM
 FC-ST-MM
 FC-ST-SM-BLK
 FC-ST-MM-BLK
 ST CONNECTOR (QTY 1)
 DUST CAP (QTY 1)
 CRIMP RING (QTY 1)
 3.0mm BOOT (QTY 1)
 900µm BOOT (QTY 1)

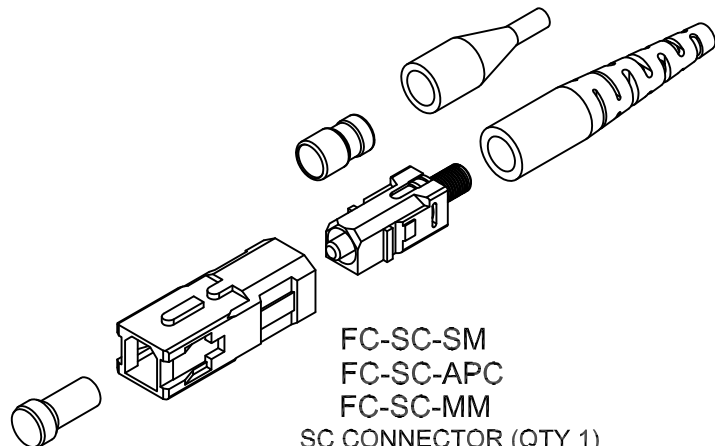
3. CONNECTOR SPECIFICATIONS (SINGLEMODE)

INSERTION LOSS (AVERAGE): STANDARD CERAMIC FERRULE: 0.2 dB
 REFLECTANCE: < -30 dB FOR PC
 < -40 dB FOR SUPER PC
 < -50 dB FOR ULTRA PC
 < -65 dB FOR ANGLED PC
 DURABILITY: ≤ 0.2 dB CHANGE. 500 REMATINGS, FOTP-21
 TENSILE STRENGTH: ≤ 0.2 dB CHANGE, 15 LB, FOTP-6
 TEMPERATURE CYCLING: -40° TO +75°C, 21 CYCLES, < 0.3 dB CHANGE
 MATERIAL: FERRULE: PRERADIUSED ZIRCONIA
 HOUSING: THERMOPLASTIC



FC-LC-3SM
 FC-LC-3SM-BLK
 FC-LC-APC
 FC-LC-3MM
 FC-LC-MM
 FC-LC-3MM-BLK
 LC CONNECTOR (QTY 1)
 DUST CAP (QTY 1)
 CRIMP RING WITH
 CRIMP SLEEVE (QTY 1)
 2.0mm [3.0mm] BOOT (QTY 1)
 900µm BOOT (QTY 1)

4. CONNECTORS AND COMPONENTS MEET
 UL94V-0 CERTIFIED COMPLIANCE.



FC-SC-SM
 FC-SC-APC
 FC-SC-MM
 SC CONNECTOR (QTY 1)
 SHROUD (QTY 1)
 DUST CAP (QTY 1)
 CRIMP RING (QTY 1)
 3.0mm BOOT (QTY 1)
 900µm BOOT (QTY 1)

FC-ST-MM-BLK	FIBER CONN, ST, MM, 900µm/3mm BLACK BOOT
FC-ST-MM	FIBER CONN, ST, MM, 900µm/3mm BEIGE BOOT
FC-ST-SM-BLK	FIBER CONN, ST, SM, 900µm/3mm BLACK BOOT
FC-ST-SM	FIBER CONN, ST, SM, 900µm/3mm BLUE BOOT
FC-SC-MM	FIBER CONN, SC, MM, 900µm/3mm BEIGE BOOT, BEIGE HSG
FC-SC-SM	FIBER CONN, SC, SM, 900µm/3mm BLUE BOOT, BLUE HSG
FC-SC-APC	FIBER CONN, SC, APC, 900µm/3mm GREEN BOOT, GREEN HSG
FC-LC-3MM-BLK	FIBER CONN, LC, MM, 900µm/3mm BLACK BOOT, BEIGE HSG
FC-LC-3MM	FIBER CONN, LC, MM, 900µm/3mm WHITE BOOT, BEIGE HSG
FC-LC-MM	FIBER CONN, LC, MM, 900µm/2mm WHITE BOOT, BEIGE HSG
FC-LC-3SM-BLK	FIBER CONN, LC, SM, 900µm/3mm BLACK BOOT, BEIGE HSG
FC-LC-3SM	FIBER CONN, LC, SM, 900µm/3mm WHITE BOOT, BEIGE HSG
FC-LC-SM	FIBER CONN, LC, SM, 900µm/2mm WHITE BOOT, BLUE HSG
FC-LC-APC	FIBER CONN, LC, APC, 900µm/2mm GREEN BOOT, GREEN HSG
FC-FC-MM	FIBER CONN, FC, MM, 900µm/3mm BEIGE BOOT
FC-FC-SM	FIBER CONN, FC, SM, 900µm/3mm BLUE BOOT
FC-FC-APC	FIBER CONN, FC, APC, 900µm/3mm GREEN BOOT
OCC PART NO.	DESCRIPTION

UNCONTROLLED COPY

UNLESS OTHERWISE SPECIFIED
 DIMENSIONS ARE IN INCHES.
 TOLERANCES: FRACTIONS ±1/32"
 ANGLES ±1/2°
 3 PLACE DECIMALS ±.005"
 2 PLACE DECIMALS ±.01"

THIS DRAWING AND THE DESIGN SHOWN ARE THE
 PROPERTY OF OPTICAL CABLE CORPORATION
 AND MAY NOT BE USED AS THE BASIS FOR MANU-
 FACTURE OR SALE WITHOUT SPECIFIC WRITTEN
 PERMISSION OF OPTICAL CABLE CORPORATION.



5290 Concourse Drive
 Roanoke, VA 24019
 Phone: 800-622-7711
 Fax: 540-265-0724
 www.occfiber.com



CRITICAL DIMENSION CODE
 (F) = FUNCTION
 (M) = MATING
 (A) = AUDIT

MATERIAL
 SEE BILL OF MATERIAL
 FINISH
 SEE NOTES

DRAWN	D.A.HOLBERT	DATE	11/14/08
CHECKED	R.B.SMITH	DATE	12/2/08
ENGINEER	J.YANIK	DATE	11/14/08
APPROVED	D.INGLE	DATE	7/29/11
PREVIOUS DWG			
NEXT DWG			

DWG TITLE			
CUSTOMER DRAWING, CONNECTOR, KITTING, SM/MM, SINGLE PACKED			
SIZE	DWG NO.	REV	
B	C109360	E	
SCALE:	NONE	SHEET	1 OF 1
FILENAME	C109360E.dwg		