



Coast™ Custom Cable

(310) 639-9473 Phone (310) 763-2225 Fax

Part Number: **14-1041**

Revision: F

Customer Name: **IEWC**
End Use Customer: **Server Technology**

Customer P/N: **N/A**
Customer Revision: **N/A**

Cable Specification

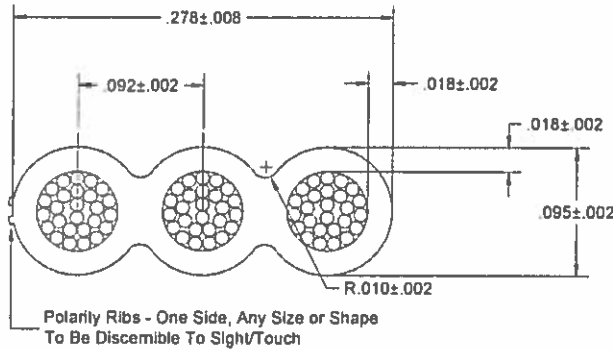
3/C 16 AWG Ribbon Cable

CONDUCTORS

Wire Size & Type: 16 AWG (65/34) Bare Copper
Nom. Wire Diameter: 0.059

JACKET

Construction: 3/C 16 AWG Parallel Extruded
Ratings: 105°C/300VRMS, VW-1
Material Type: Black Modified Polyphenylene Ether (Finish TBD)
(See Sample Lead Wire For Acceptable Finish)



TESTS

- Test 1: Continuity
- Test 2: Shorts
- Test 3: Physical/Dimensional

MISCELLANEOUS

- Voltage: 300V
- Temperature: -40°C to + 105°C
- Put Ups: Bulk
- Reel: Wood or Plastic
- Weight: TBD
- Print: None

APPROVALS

UL/CSA: None



Revision F	Increased wall thickness from .017 to .018	MH 09/10/15
UNCONTROLLED COPY	Dimensions in inches unless otherwise specified	UNCONTROLLED COPY
	.XXX = +/- .005 .XX = +/- .02 .X = +/- .1	
Prepared By: Michael S. Howard	Customer Approval: <i>[Signature]</i>	
Date: 9/10/2015	Title: DIR ENG.	
Configuration Code: 0011951	Date: 1-27-16	

PROPRIETARY NOTICE

This document and any other data disclosed herein is the sole property of Alpha Wire and may not be reproduced, used or disclosed in part or in whole without the written consent of Alpha Wire. Please note that Alpha Wire does not warrant the specifications or designs developed with regard to Form, Fit, or Functionality for any specific end use application, and that the suitability of such and any future liability associated with the manufactured items is the sole responsibility of the end user.