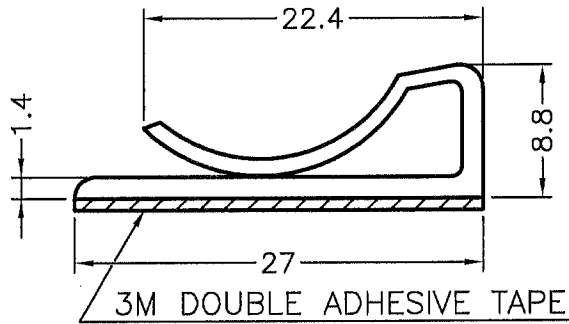
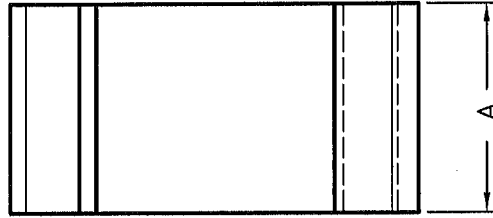



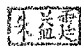
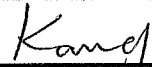
DIM	TOL
5mm DOWN	±0.2
5~20mm	±0.3
20~40mm	±0.4
40~60mm	±0.5
60~100mm	±0.8
100mm UP	±1.0

REVISIONS			
REV	DESCRIPTION	DATE	BY



NOTE: 1. The Height is not include the releasing paper and adhesive tape's thickness.
 2. All measurement does not include gate which raises under 0.3mm.

PART NO.	A	COLOR	DOUBLE ADHESIVE TAPE
FCN-15N	15.0	NATURAL	3M ,THICKNESS 1.1mm
FCN-15			
FCN-15(49)			
FCN-15(3M)			
FCN-15(G)			
FCN-15LG3M			
FCN-20	20.0	NATURAL	3M ,THICKNESS 1.1mm
FCN-20(3M)			3M ,THICKNESS 0.9mm
FCN-25(4945)	25.4		NATURAL
FCN-25(3M)		3M ,THICKNESS 0.9mm	
FCN-25		3M ,THICKNESS 1.1mm	
FCN-25N			

 康揚企業股份有限公司 KANG YANG HARDWARE ENTERPRISE CO., LTD. 康揚塑膠(東莞)有限公司 KANG YANG PLASTIC(DONG GUAN) CO., LTD. 康哲電腦配件(吳江)有限公司 KANG CHE COMPUTER COMPONENTS(WUJIANG) CO., LTD.				TITLE	FALE CABLE MOUNT	SPEC. DWG.	
				MATERIAL	NYLON 66 UL94V-2	DATE	2002.05.28
				FINISH		DRAWN	JASON
				COLOR	SEE ABOVE	CHECK	
PART NUMBER	SEE ABOVE	DRAWING NUMBER	FCN-H	UNLESS OTHERWISE SPECIFIED TOLERANCE	SEE ABOVE	APPROVED	
SIZE	A4	SCALE	NONE	UNIT	mm	REV	F