



2CLICK™ Pre-polished, Non-adhesive Fiber Optic Connectors

- Termination in 2 Minutes or Less.
- No Polishing or Adhesives Required.
- No Expensive Tools Needed.
- Supports 10GbE Network Connections.
- Factory-Polished, Low-Loss Connector.



For use with 250µm or 900µm buffer fibers.

Factory polished for superior optical transmission.

SPECIFICATIONS

- ◆ **Singlemode:**
 - Operating temperature range: -40°C to +75°C.
 - Insertion Loss: 0.2dB average, 0.5dB max.
 - Return Loss: 56dB average, 45dB max.
- ◆ **Multimode:**
 - Operating temperature range: -40°C to +70°C.
 - Insertion Loss: 0.1 dB average, 0.5dB max.
 - Return Loss: 20dB max.
- ◆ **Material:** Engineered polymer housing with zirconia ferrule.

Hubbell’s new **2CLICK™** pre-polished connectors are field installable fiber optic connectors that eliminate the need for polishing or adhesives in the field. **2CLICK™** connectors provide a simple, quick termination method for either singlemode or multimode fibers. **2CLICK™** connectors feature a factory polished ferrule with an integral fiber stub that splices to building cable fibers. Index matching gel and a precision mechanical alignment system ensure a low loss connection.

Each **2CLICK™** connector comes with a factory-installed termination clip that holds the clamping device open while the fiber is inserted. Once the fiber is in place, the termination clip is removed and discarded. Assembly can be completed in just 2 minutes or less. Simply strip the buffer, cleave and insert the fiber into the pre-polished connector and release the termination clip to complete the assembly. In addition, no expensive tools, jigs or messy epoxy needed.



STANDARDS/LISTINGS/VERIFICATIONS

- Meets TIA-568-B.3 performance requirements.

APPLICATIONS SUPPORTED

- ▲ Building cable terminations.
- ▲ Campus LANs.
- ▲ 10-Gigabit Ethernet links.
- ▲ Emergency field repairs.
- ▲ Fiber to the Subscriber (FTTx).

ORDERING INFORMATION

2CLICK™ Pre-Polished Connectors (Non-Adhesive)

Delivery: One bag of 10 connectors each individually bagged. Each bag includes black boot, connector, dust cap and termination clip.

2CLICK™ Pre-Polished LC Connectors	Catalog No.
Multimode, 50µm, 10G, 10-pk, Aqua Housing	FCLC50GM10
Multimode, 50µm, 10-pk, Black Housing	FCLC50M10
Multimode, 62.5µm, 10-pk, Beige Housing	FCLC62M10
Singlemode, 10-pk, Blue Housing	FCLCSM10



2CLICK™ Pre-Polished SC Connectors	Catalog No.
Multimode, 50µm, 10G, 10-pk, Aqua Housing	FCSC50GM10
Multimode, 50µm, 10-pk, Black Housing	FCSC50M10
Multimode, 62.5µm, 10-pk, Beige Housing	FCSC62M10
Singlemode, 10-pk, Blue Housing	FCSCSM10



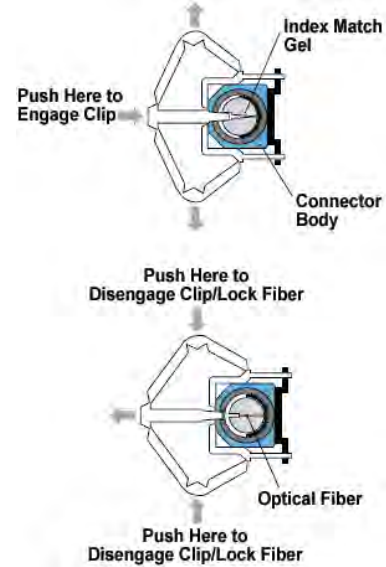
2CLICK™ Pre-Polished ST-style Connectors	Catalog No.
Multimode, 50µm, 10G, 10-pk, Black Housing	FCST50GM10
Multimode, 50µm, 10-pk, Black Housing	FCST50M10
Multimode, 62.5µm, 10-pk, Beige Housing	FCST62M10
Singlemode, 10-pk, Blue Housing	FCSTSM10



Tools and Tool Kits	Catalog No.
Tool Pouch, Pre-polished Connector*	OFTP05
Cleaver, Single Fiber, Pre-Polished Connector	OFCLV3
Cleaver, Singlemode, Pre-Polished Connector	OFCLV4
Strip Tool, Universal, Fiber Optic	OFSTRIP2

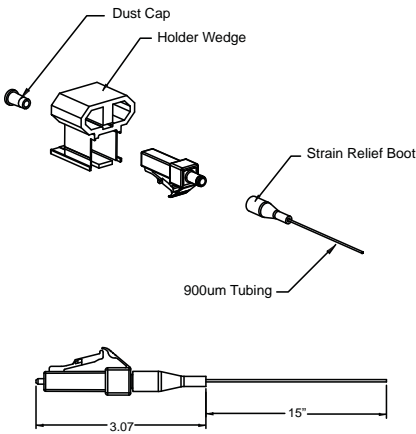
* Tool pouch contains OFCLV3 cleave tool, OFSTRIP2 fiber strip tool, non-hazardous fiber cleaning solution, Kevlar scissors, ruler, wipes and black permanent marker.

ASSEMBLY/USAGE

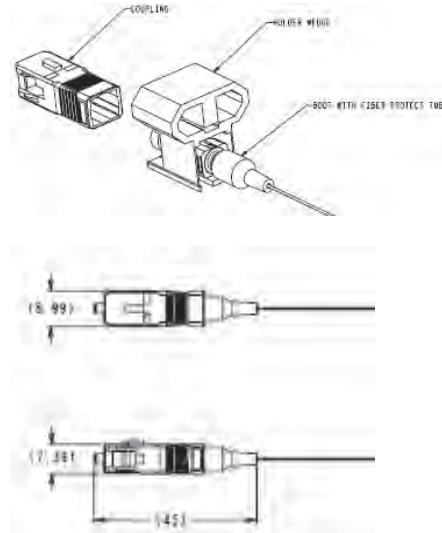


DIMENSIONS

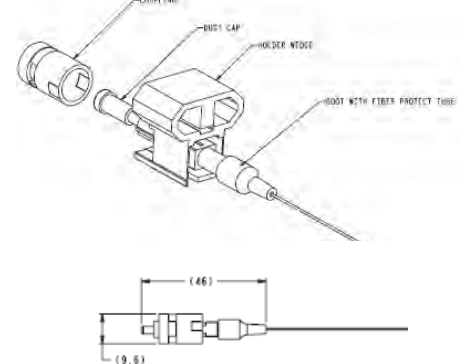
LC Connector



SC Connector



ST-style Connector



Hubbell Premise Wiring

HUBBELL INCORPORATED (Delaware)
 14 Lord's Hill Road • Stonington, CT 06378-0901 • (860) 535-8326 • 800-626-0005
 Fax: (860) 535-8328 • Internet site: <http://www.hubbell-premise.com>

Worldwide Locations

Hubbell Premise Wiring, Asia Pacific	852-2836-7131	Fax: 852-2836-7132	Hubbell Premise Wiring, Latin America	305-408-4501	Fax: 305-408-8201
Hubbell Canada Inc.	905-839-1138	Fax: 905-839-9108	Hubbell de Mexico, S.A. de C.V.	(5255) 9151-9999	Fax: (5255) 9151-9989
Hubbell Premise Wiring, Central America	506-309-4158	Fax: 506-260-1616	Hubbell Premise Wiring, Middle East	971-4-393-4192	Fax: 971-4-393-4194
Hubbell Premise Wiring, China	86-21-6374 2660	Fax: 86-21-6374 2799	Hubbell Premise Wiring, Puerto Rico	787-855-1075	Fax: 787-855-3265
Hubbell Premise Wiring, Europe	44-01283 500500	Fax: 44-01283 500400	Hubbell-Taian Co., Ltd., Taiwan	886-2-2522-1862	Fax: 886-2-2522-1872
Hubbell Wiring Systems, India	91-80-4022-4089	Fax: 91-80-4022-4033	Hubbell Premise Wiring, Venezuela	58-212-5156482	Fax: 58-212-6627258
Hubbell Int'l. Inc., Korea Branch	(82 2) 2607 1363	Fax: (82 2) 2603 7386			