

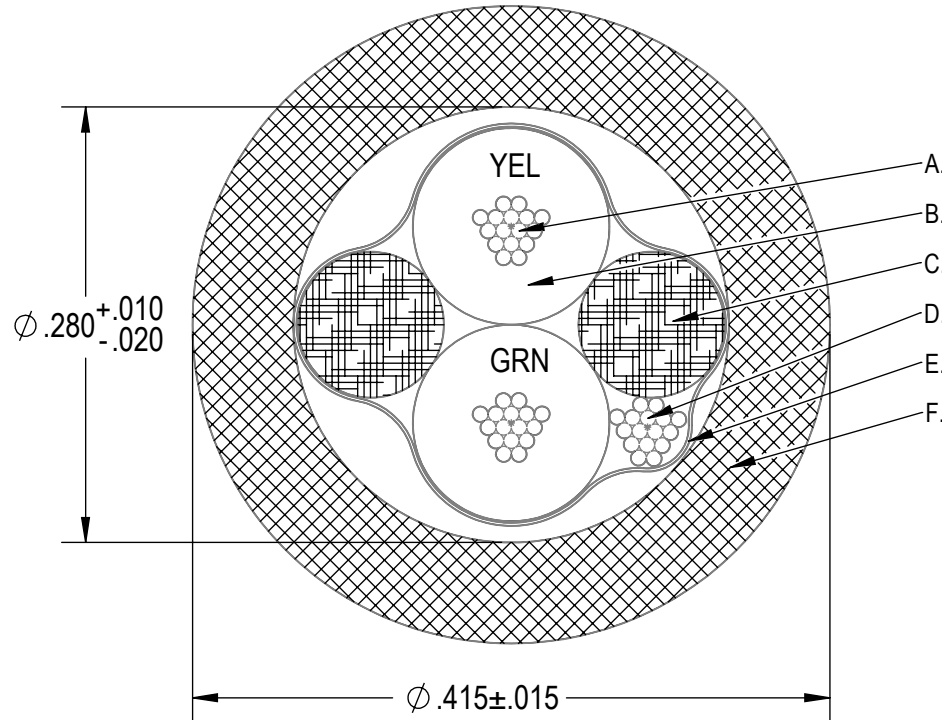
DESCRIPTION: 18/2 J1939/11 CABLE 125C 300V UNITS: IN SCALE: 8:1 ITEM SPECIFICATIONS

NORTHWIRE P/N: FJ1939182-014

CUSTOMER: IEWC APPR BY: NN REVD BY: AV DWG NO: FJ1939182-014

CUSTOMER P/N: J1939/1802-0-N3 DRAWN BY: DP LANGER DATE: 8/18/2023 REV: A

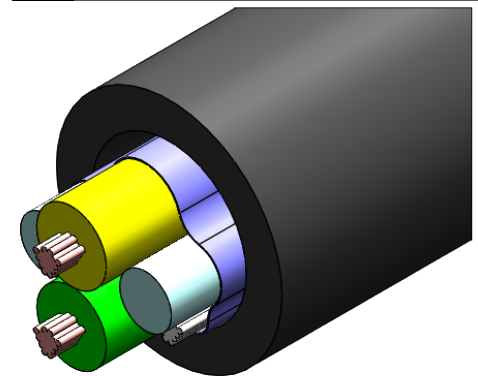
CORE DIMENSIONS FOR INTERNAL USE ONLY



- A. 18 GAUGE 16x.010BC
- B. 40 MIL FOAMED XLPE INSULATION
35 MIL MIN. FOAMED XLPE INSULATION
O.D. .128 ± .003
- C. EXTRUDED OLEFIN FILLER ROD
.095 NOMINAL O.D.
- D. 18 GAUGE 16x.010TC DRAIN
- E. ALUMINUM FOIL SHIELD; FOIL IN
- F. 50 MIL TUBED TPE JACKET 125C
44 MIL MIN. TUBED TPE JACKET
JACKET COLOR: BLACK
NO AGENCY APPROVAL

ROHS3 DIRECTIVE (EU) 2015/863 TO AMEND
ANNEX II TO EU ROHS 2, 2011/65/EU WITH NO
EXEMPTIONS

FOR ADDITIONAL REGULATORY INQUIRIES
PLEASE SUBMIT TO THE FOLLOWING:
RoHS_Northwire@lemo.com



ISOMETRIC VIEW
FOR REFERENCE ONLY

LEGEND SPECIFICATIONS - WHITE INK WHEEL PRINT

OSCEOLA: NORTHWIRE INC. DATACELL 1939TF 18 AWG 2C J1939

SANTA TERESA: NORTHWIRE INC. DATACELL 1939TF 18 AWG 2C J1939 (02)



This document contains proprietary and confidential information of Northwire, Inc. (and its subsidiary) and shall not be used, disclosed or reproduced, in whole or in part, for any purpose without the prior written consent of Northwire, Inc. (and its subsidiary).

DESCRIPTION: 18/2 J1939/11 CABLE 125C 300V	UNITS: IN	SCALE: 60:1	ELECTRICAL REQUIREMENTS
--	-----------	-------------	-------------------------

NORTHWIRE P/N: FJ1939182-014			(4) IMPEDANCE: 120 ± 10% OHMS
------------------------------	--	--	-------------------------------

CUSTOMER: IEWC	APPR BY: NN	DWG NO: FJ1939182-014	(4) CAPACITANCE: COND TO COND: 75 pF/METER MAX COND TO SHIELD: 110 pF/METER MAX
----------------	-------------	-----------------------	---

CUSTOMER P/N: J1939/1802-0-N3	DRAWN BY: DP LANGER	DATE: 8/18/2023	REV: A	(4) TIME DELAY: 5 ns/METER
-------------------------------	---------------------	-----------------	--------	----------------------------

			(5) DCR: 50 mOHMS/METER MAX
--	--	--	-----------------------------

			MECHANICAL REQUIREMENTS
--	--	--	-------------------------

			NONE SPECIFIED
--	--	--	----------------

			Performance Specification Footnote:
--	--	--	-------------------------------------

			<p>(1) THEORETICAL - This performance specification is based on calculation or estimates driven by the materials and dimensions.</p> <p>(2) HISTORICAL - This performance specification is based on past test data for similar designs utilizing similar materials.</p> <p>(3) VALIDATION - This performance specification is based on testing completed during the initial run or from the initial lot.</p> <p>(4) PER LOT - This performance specification is based on testing completed for each lot manufactured.</p> <p>(5) PER SUPPLIER CERT - This is based on testing completed and certified by supplier or manufacturer</p>
--	--	--	--

NEW NWI PART NUMBER CREATED TO REPLACE FJ1939182-005 FOR IEWC	A	-	8/18/23	DPL
REVISION RECORD	REV.	ECR NO.	REV DATE	APR
REVISIONS				