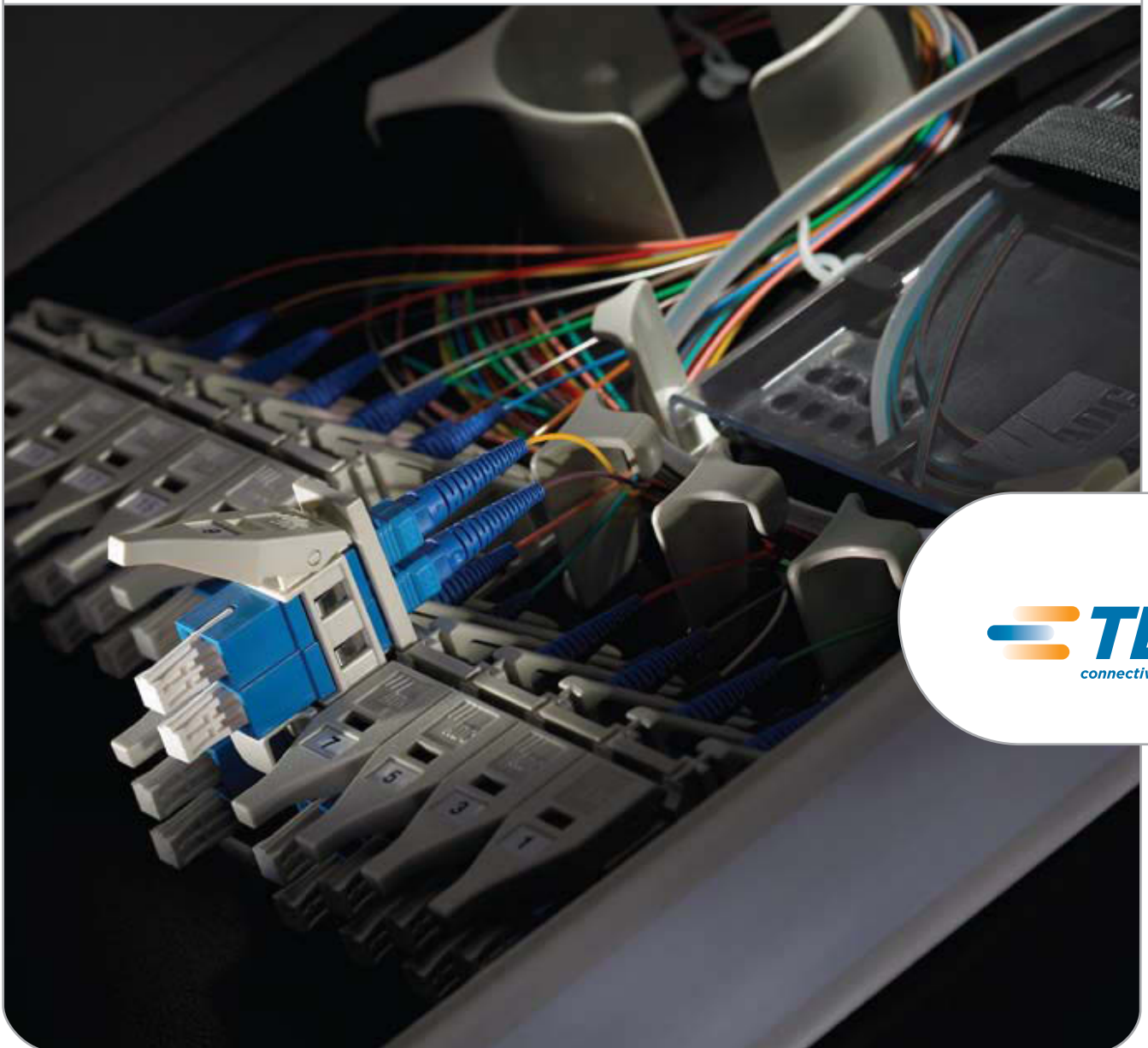


# Fiber Optic Panels

1st Edition



FIBER CONNECTIVITY SOLUTIONS

[www.te.com/bns](http://www.te.com/bns)



<b>Introduction</b> .....	1
<b>Rack Mount Panel Solutions</b>	
FMT Series Fiber Optic Panel Introduction.....	8
1 RU Fiber Termination/Splice Drawers with Adapters or Pigtails .....	11
2 RU Fiber Termination/Splice Drawers with Adapters or Pigtails .....	12
1 RU Fiber Termination Drawers with Multifiber Cable (Preterminated) .....	13
2 RU Fiber Termination Drawers with Multifiber Cable (Preterminated) .....	14
2 RU Fiber Termination Drawers with MPO Connectors.....	15
1 RU Adapter-Only Fiber Termination Drawers .....	16
2 RU Adapter-Only Fiber Termination Drawers .....	17
1 RU Fiber Termination/Storage Drawers .....	18
1 RU Slack Storage Drawers	
Bulk Storage Drawer.....	19
Discreet Storage Drawer .....	19
1 RU Splice Drawers.....	20
2 RU Value-Added Module (VAM) MicroVAM Chassis .....	21
1 RU Value-Added Module (VAM) MicroVAM Chassis .....	21
1 RU Drawer Accessories	
Sliding Adapter Pack.....	22
Mini Splice Tray .....	22
Wall Mount Kit.....	22
Cable Clamp Kit .....	22
Vertical Cable Guide.....	22
2 RU Drawer Accessories	
Sliding Adapter Pack.....	23
Mini Splice Tray .....	23
Cable Clamp Kit .....	23
Vertical Cable Guide.....	23
Patch Cords and Attenuators Ordering Information .....	24
FPL Series Fiber Optic Panel Introduction .....	25
5 RU High-Density Termination and Splice Panels.....	27
1 RU High-Density Termination and Splice Panels.....	28
Fiber Termination/Splice Panels with Adapters or Pigtails .....	29
Fiber Termination Panels with Multifiber Cable (Preterminated) .....	31
Fiber Termination Panels with Adapters or Pigtails.....	33
Splice and Storage Drawers .....	35
Panel Accessories	
Splice Tray .....	36
Locks.....	36
Cable Clamp Kit .....	36
Patch Cords and Attenuators Ordering Information .....	37
FL2000 Series Fiber Optic Panel Introduction .....	38
Fiber Termination/Splice Panel with Adapters or Pigtails .....	40
Empty Termination/Splice Chassis.....	41
Fiber Termination Panels with Multifiber Cable (Preterminated) .....	42
Fiber Termination Panels with Adapters or Pigtails.....	43
Empty Termination Chassis.....	44

Slack Storage Solutions	
Storage Deck Chassis.....	45
Storage Deck.....	45
Horizontal Interbay Management Panel.....	45
Chassis Solutions	
Splice Chassis.....	46
Splice Wheel.....	46
Splice Deck.....	46
Cable Clamp Kit.....	46
Value-Added Module (VAM) Chassis.....	47
Panel Accessories	
19-Inch Rack Mount Installation Kits Standard Mount Kit.....	48
Flush Mount Kit.....	48
Maximum Mount Kit.....	49
23-Inch Rack Mount Installation Kits	
Wide Vertical Cable Guide (VCG) Mount Kit.....	50
Centered Mount Kit.....	51
6pak Adapter-Adapters and Pigtailed.....	52
6pak Adapter-Adapters Only.....	53
Splice Wheel and Splice Deck.....	54
Locks.....	55
Interbay Management Panel.....	55
Cable Clamp Kit.....	55
End Guard.....	55
Blank Vertical Cable Guide (VCG).....	55
Bonding Grounding Kit.....	55
356 mm (14") Lower Cable Trough.....	55
178 mm (7") Lower Cable Trough.....	55
Patch Cords and Attenuators Ordering Information.....	56
FL1000 Series Fiber Optic Panel Introduction.....	57
High-Density Fiber Termination/Splice Panels with Pigtailed.....	59
Fiber Termination/Splice Panels with Adapters or Pigtailed.....	60
Fiber Termination Panels with Adapters or Pigtailed.....	61
Empty Panels.....	62
Empty Termination/Splice Chassis.....	62
Empty Termination Chassis.....	62
Panel Accessories	
6pak Adapter Placement.....	63
6pak Adapter-Adapters and Pigtailed.....	64
Stranded Multimode Pigtailed and Adapters.....	64
Stranded Singlemode Pigtailed and Adapters.....	64
6pak Adapter-Adapter Only.....	65
Fanning Panel.....	65
Splice Tray.....	65
Radius Limiter.....	65
Cable Clamp.....	65
Bonding Grounding Kit.....	65
Patch Cords and Attenuators Ordering Information.....	66

## Wall Box Solutions

FL1000 Series Fiber Optic Wall Box Introduction .....	68
Wall Mount Boxes (One Door) .....	69
Wall Mount Boxes (Two Door).....	71
Placement of 6paks.....	73
Wall Mount Boxes (One Door or Two Door) with Multifiber Cable .....	74
Wall Mount Boxes (One Door or Two Door) Empty Chassis .....	75

### Wall Box Accessories

6pak Adapter – Adapters and Pigtails.....	77
Stranded Multimode Pigtails and Adapters .....	77
Stranded Singlemode Pigtails and Adapters .....	77
Multimode 6pak Adapter-Only .....	78
Singlemode 6pak Adapter-Only .....	78
Compression Fitting.....	78
Compression Fitting with Plate .....	78
Strength Member Tie-Off Kit .....	78
Cable Clamp .....	78
Bonding Grounding Kit.....	78
Lock and Key Type A and B .....	78
Mini Splice Tray .....	78
Standard Splice Tray.....	78

## Cable Assembly Solutions

Introduction .....	80
Tracerlight® Connector Identification System .....	81
Tracerlight Singlemode or Multimode Patch Cords .....	82
Singlemode Patch Cords .....	83
Multimode Patch Cords .....	84
In-Line Attenuators .....	85

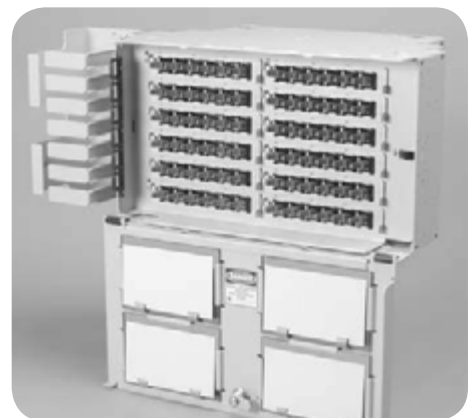
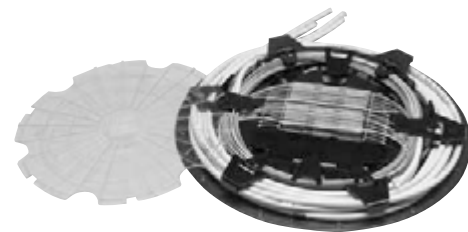
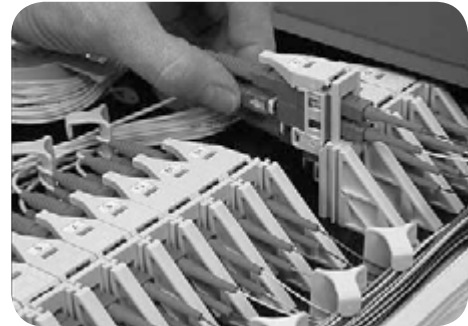
<b>Index</b> .....	87
--------------------	----



Lower operations costs, greater reliability and flexibility in service offerings, quicker deployment of new and upgraded services—these are the characteristics of a successful service provider in a competitive global market.

The TE Connectivity family of fiber optical panel (FOP) solutions delivers the crucial elements of fiber cable management: connector and cable accessibility, bend radius protection, cable routing paths and physical protection. If these elements are executed correctly, the network can deliver its full competitive advantages.

- **Connector and Cable Access:** Allowing easy access to installed fibers is critical in maintaining proper bend radius protection. FOP products ensure that any fiber can be installed or removed without inducing a macrobend on an adjacent fiber. The accessibility provided by features such as sliding adapter packs can have a significant impact on network reconfiguration time. Accessibility is most critical during network reconfiguration operations and directly impacts operation costs and network reliability.
- **Bend Radius Protection:** Simply put, optimal signal flow ensures network performance and reliability. TE's FOP products ensure that the proper bend radius is maintained to prevent attenuation and deliver the highest possible performance as well as long-term reliability.  
**Note:** Reduced bend radius cable solutions, while offering a tighter bend radius, are not a substitute for well-engineered cable management.
- **Cable Routing Paths:** Improper technician routing of fibers is one of the major causes of bend radius violations. FOP products are extremely craft friendly, providing routing paths that are clearly defined and easy to follow—leaving no room for guesswork and ensuring that technicians can easily trace and locate fibers.
- **Physical Protection:** All fibers should be protected throughout the network from accidental damage by technicians and equipment. Fibers routed between pieces of equipment without proper protection are susceptible to damage, which can critically impact network reliability. TE's robust fiber cable management technology ensures that every fiber is well protected and designed to withstand daily wear and tear.



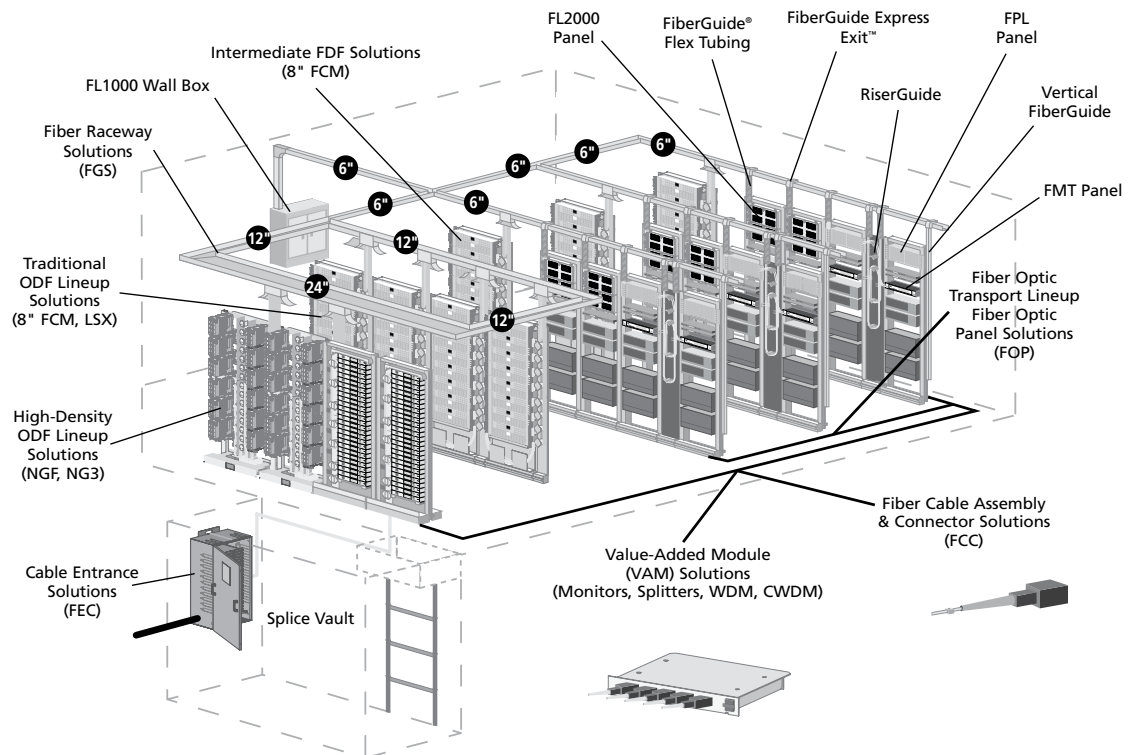
### A Variety of Solutions

In addition to the robust offering of end-to-end system connectivity solutions, TE has designed a family of fiber optic panel (FOP) products that provide a centralized point for termination, splice and storage of optical fiber. These panels are ideal for applications requiring fiber counts typically less than 400.

**TE's FOP solutions further enhance the ability of fiber frame solutions.** Numerous options accommodate the varying needs of our customers. Our portfolio includes:

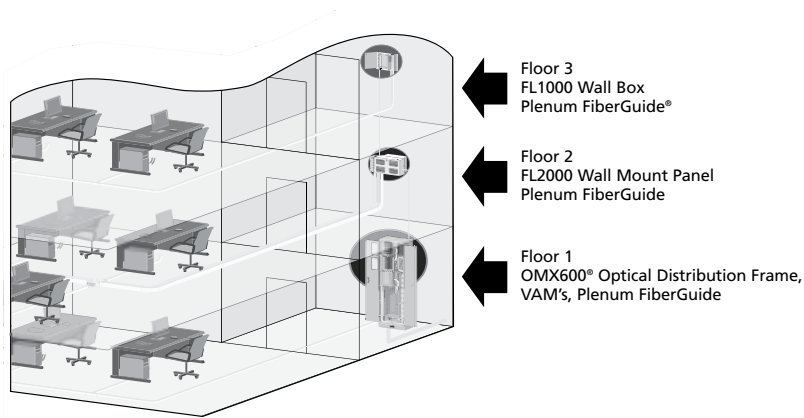
- **FMT Series** – enables termination, termination/splicing, termination/storage, splicing only and slack storage for optical fiber in a compact, one or two rack unit drawer
- **FPL Series** – provides industry-leading fiber cable protection and management utilizing an internal splicing system which creates a compact, feature-rich, high-density solution
- **FL2000 Series** – a flexible, modular and scalable series of fiber products for today's and tomorrow's evolving communications and data networks
- **FL1000 Series** – wall boxes designed for the demarcation point in your network and panels designed to be mounted within either a standard 19- or a 23-inch EIA equipment rack
- **Fiber Cable Assembly and Accessory Products** – a comprehensive line featuring the Tracerlight® Connector Identification System, patch cords, IFC assemblies, attenuators, FasTerm® connectors and adapters to meet the demanding needs of today's network

### Central Office

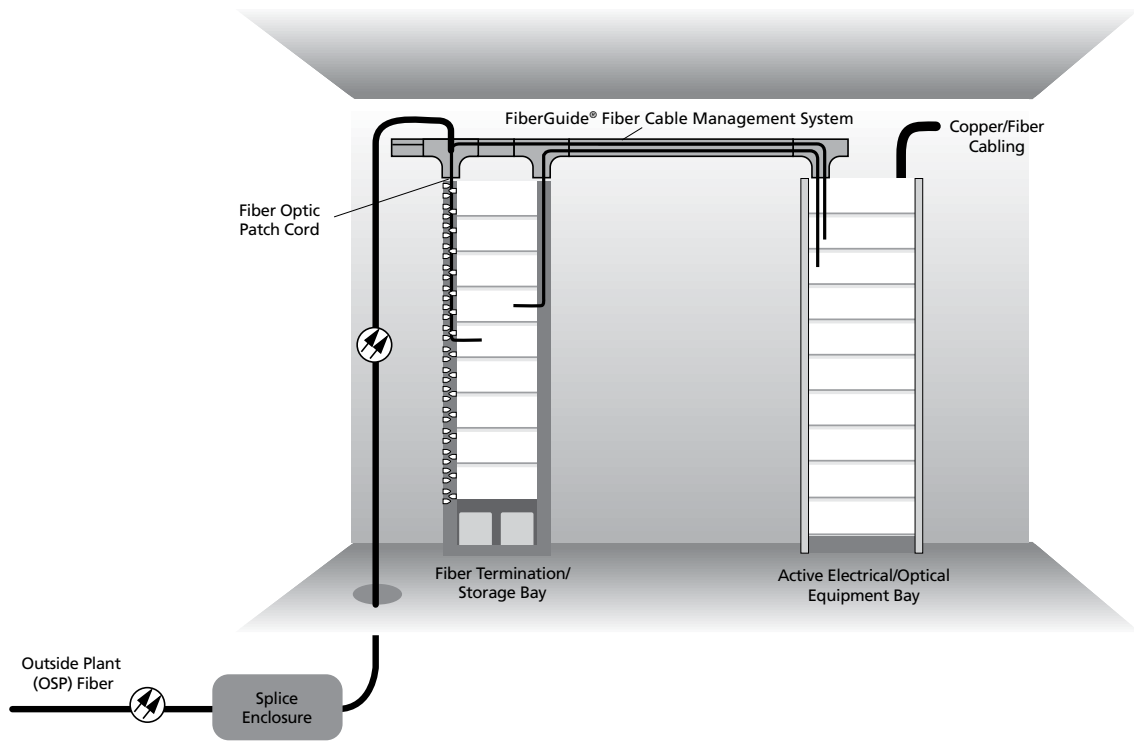




### Customer Premises

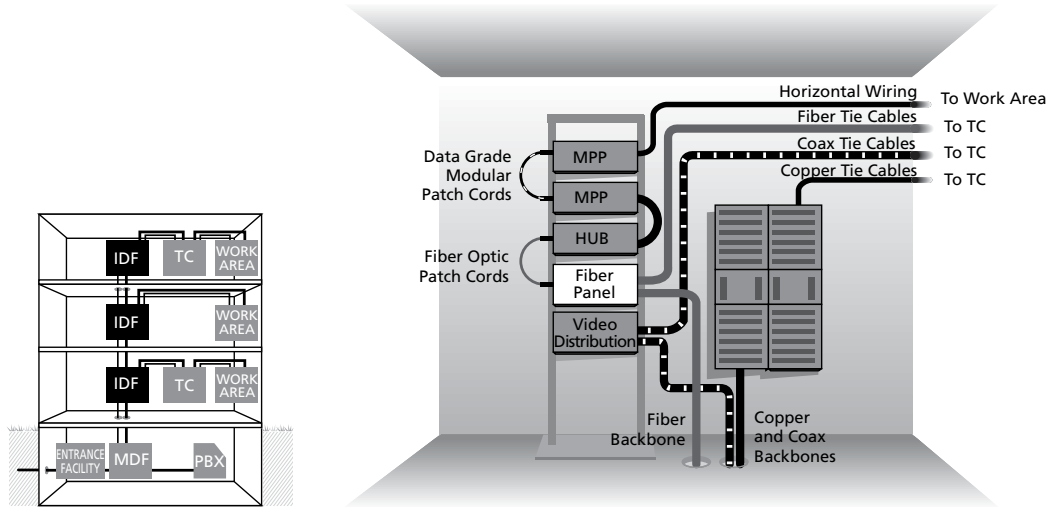


### Service Provider



Fiber termination bays or fiber panels provide a central point for terminating incoming fibers. Fiber jumpers, routed through a FiberGuide® fiber cable management system, connect the fiber termination bay to the active electrical/optical equipment.

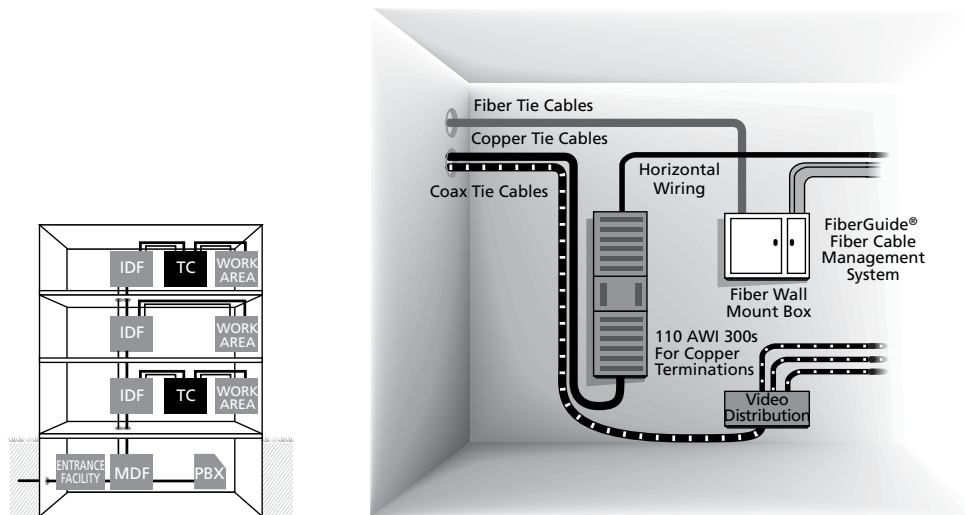
### Intermediate Distribution Frame



The intermediate distribution frame (IDF) area is the point of interconnection between building backbone cables and horizontal tie cable serving telephone closets or station wire, that in turn serve the individual work locations.

IDFs usually serve a single floor and are typically arranged vertically in a building riser area. Electronic hub equipment is normally installed within the IDF area because of the proximity to the backbone cabling. In many cases, the IDF is the last connection point prior to the end workstation connection. In large buildings, IDFs may serve multiple telephone closets (TCs) via tie cables.

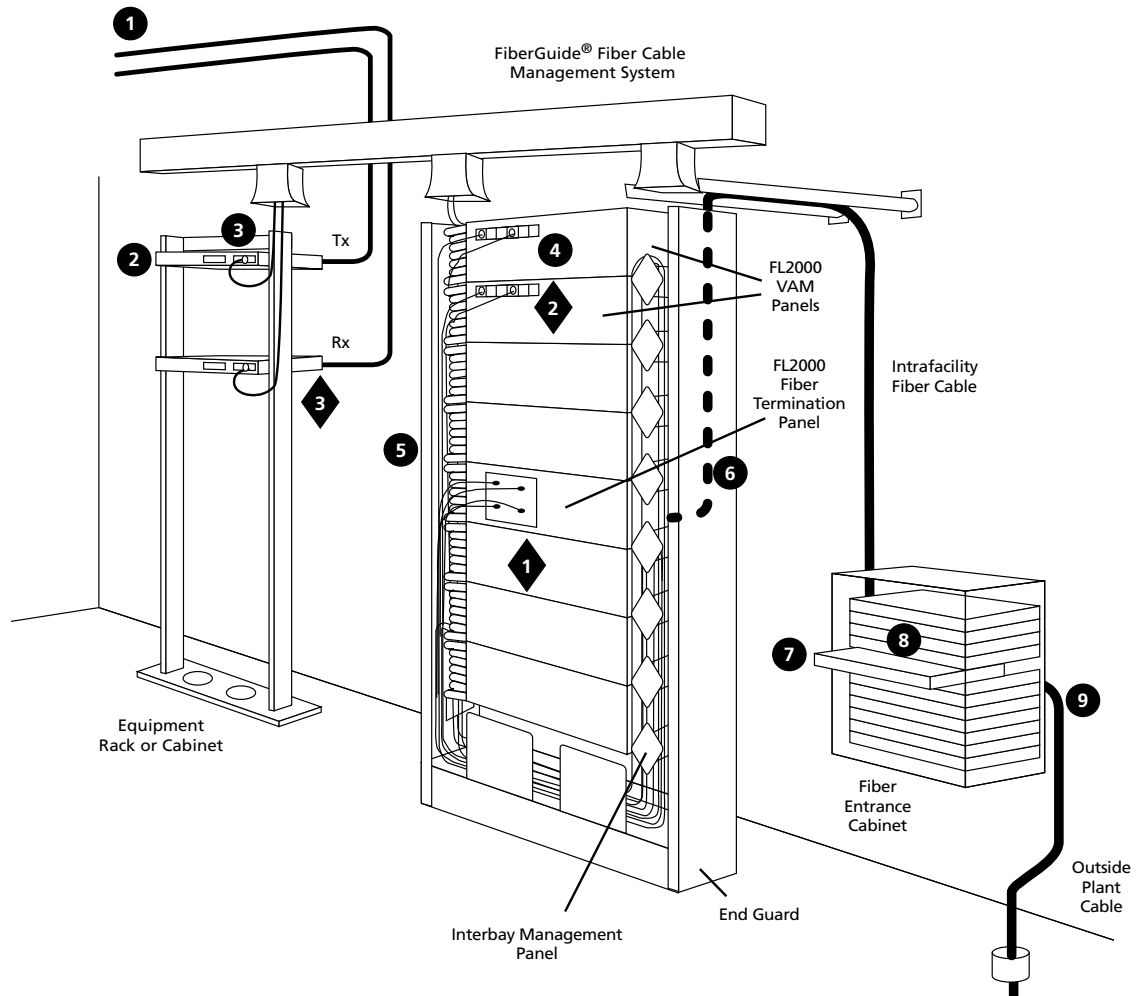
### Telephone Closet



The telephone closet (TC) is the point of interconnection between building cabling and horizontal station wire serving the individual work locations. TCs usually serve a specific zone on a floor. Multiple TCs may be served from single IDFs. The TC generally is the last connection point prior to the end workstation and may not include electronic equipment.

### CATV Video Signal Path Through TE Fiber Panel Products

10/07 • 103743AE Fiber Optic Panels



#### CATV VIDEO SIGNAL PATH

##### Transmit Path → → → →

- 1 Video signal via coaxial cable from video modulators.
- 2 Panel converts coax electrical video signal to optical signal on fiber. Transmitter sends optical signal out.
- 3 Optical signal sent to the splitters via a fiber optic patch cord or pigtail. Splitters installed in Value-Added Module (VAM).
- 4 Splitter receives optical signal from transmitter and splits signal into several out paths (1x2, 1x3, etc.). Each out path serves one node.

- 5 Optical video signal from outputs of splitters routed to the termination panel via fiber patch cord.
- 6 Intrafacility fiber cable (IFC) clamped and connected to rear of fiber patch panel.
- 7 IFC clamped to Fiber Entrance Cabinet (FEC).
- 8 IFC fibers spliced to outside plant (OSP) fibers on FEC splice drawer.
- 9 OSP cable clamped to FEC.

##### Return Path ← ← ← ←

- 1 Video signal from each node is jumpered from termination panel to VAM chassis.
- 2 Connects fiber OSP patch cord to patch cord from upstream receiver.
- 3 Fiber patch cord from VAM connects upstream signal to receiver panel. The receiver panel converts optical video signal to electrical and sends to network/set-top control system via coaxial cable.



10/07 • 103743AE Fiber Optic Panels

# Rack Mount Panel Solutions



## FMT Series Fiber Optic Panel

Introduction .....	8
Termination/Splice Drawers .....	11
Termination Drawers .....	13
Termination/Storage Drawers .....	18
Storage Drawers .....	19
Splice Drawers .....	20
Value-Added Module (VAM) Chassis .....	21
Accessories .....	22

## FPL Series Fiber Optic Panel

Introduction .....	25
High-Density Termination/Splice Panels .....	27
Termination/Splice Panels .....	29
Termination Panels .....	31
Splice and Storage Drawers .....	35
Accessories .....	36

## FL2000 Series Fiber Optic Panel

Introduction .....	38
Termination/Splice Panels .....	40
Termination Panels .....	42
Slack Storage Solutions .....	45
Splice Chassis .....	46
Value-Added Module (VAM) Chassis .....	47
Accessories .....	48

## FL1000 Series Fiber Optic Panel

Introduction .....	57
Termination/Splice Panels .....	59
Termination Panels .....	61
Empty Panels .....	62
Accessories .....	63



# FMT Series Fiber Optic Panel

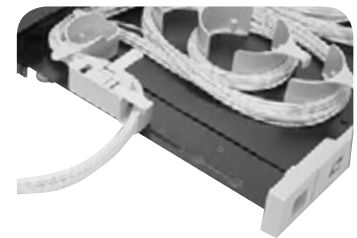
## Introduction

Cable management is an essential consideration in any successful fiber communications network. TE's FMT series fiber optic panel enables termination, termination/splicing, termination/storage, splicing only and slack storage for optical fibers in a compact 1 or 2 RU panel.

### Sliding Radius Limiter

Sliding radius limiters provide ultimate fiber management by addressing one of the most critical elements of fiber cable management: bend radius protection.

By controlling the movement of fibers into the drawer, error-proof slack loop management is maintained, ensuring proper bend radius protection. This is crucial to protecting fiber, eliminating service failures and decreasing costs.



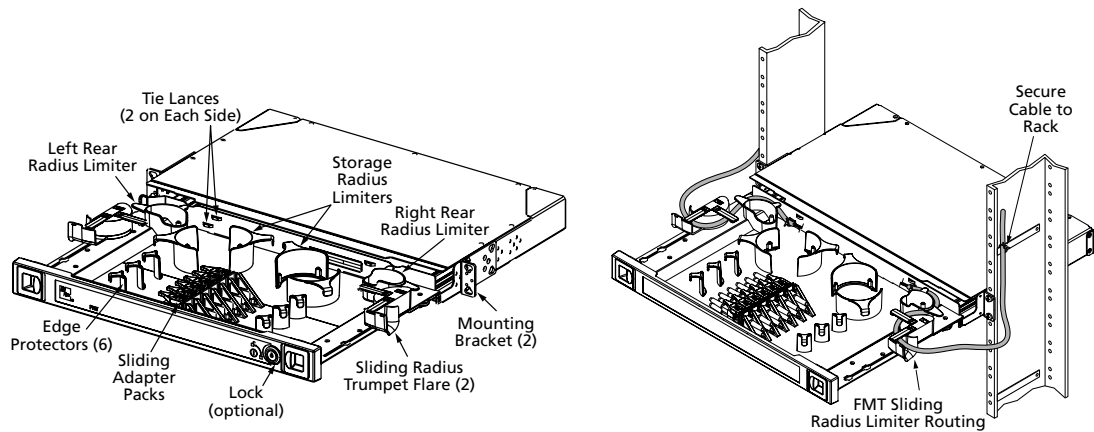
### Sliding Adapter Pack

Sliding adapter packs allow easy access for connecting jumpers and cleaning connectors, ensuring that any fiber can be installed or removed without disturbing adjacent fibers. That means a significant reduction in connector installation/reconfiguration time.

### Modular Design

TE's modular design offers the value of a single interface for performing multiple tasks in your network. By employing a 1 or 2 RU modular drawer, network technicians have familiar access to terminating, splicing and storing fiber. This cable management approach translates to time and money saved for moves, adds and changes.





**12-Termination/Storage Drawer, Universal Entry**

### Termination-Only Drawers

This FMT accommodates 24-, 32-, 48-, 72- or 96- standard single circuit access connectors in 1 or 2 RU drawers. It is ideal for interconnect applications that will experience minimal network reconfiguration.

### Termination and Splice Drawers

This FMT has termination/splicing capability for 12-, 16- or 24-fibers within 1 RU or 48-fibers in 2 RU. Splice trays can be placed on the left and right side of the FMT, offering great flexibility in ordering the panel to fit your specific network application.

### Termination and Storage Drawers

This FMT accommodates terminations in groups of 12, 16 or 24. This panel stores slack fiber for the line and/or equipment side of the demarcation. It's an ideal solution for interconnect applications that may see some reconfiguration activity and where exact patch cord lengths cannot be determined. Slack storage within the drawer also allows for reconnectorization of the fiber.

### Slack Storage Drawers

These FMTs properly manage and protect excess optical jumper length at the equipment frame. They may be used in conjunction with other FMT solutions or as a stand-alone slack storage solution at the equipment frame. Both bulk and discrete storage solutions are available to accommodate industry-standard jumper configurations.

### Sliding Radius Limiters

Minimize fiber movement during drawer usage and the need for a long slack loop.

### Sliding Adapter Packs

Two adapter/connectors in 1 RU panels and six in 2 RU panels provide easy hand access for connecting cables and cleaning connectors.

### Edge Protectors

Protect cables from sharp angles at bend points in the cable routing.

### Rear Radius Limiters

Maintain a protective minimum bend radius for cables routed into the FMT.

### Tie Lances

Secure fibers at the ingress/egress point for additional cable management.

### Storage Radius Limiters

Provide slack storage for cable terminated within the FMT.

### Lockable

Allows controlled accessibility to the drawer.



# FMT Series Fiber Optic Panel

## Introduction

### Product Overview

	FMT 1 RU Rack Mount	FMT 2 RU Rack Mount
<b>Recommended Applications</b>	Small to medium fiber count application. Offers the secure fiber protection that comes with a drawer solution coupled with a high degree of cable management. Ideal for mixed use with active equipment in either frame or cabinet applications.	
<b>Description</b>	1.75" H – all front access 19"/23" all purpose drawer; high-density 1 RU chassis	3.5" H – all front access 19"/23" all purpose drawer; high-density 2 RU chassis
<b>Number of fibers, future growth potential</b>	12 to 32	Termination/Splice: 48 Termination only: 72 (96 with LC)
<b>Interconnect</b>	Ideal	Ideal
<b>Cross-connect</b>	Yes	Yes
<b>Accommodates on-frame splicing</b>	Yes. Built-in	Yes. Built-in
<b>Accommodates off-frame splicing</b>	Yes	Yes
<b>Rear access</b>	Not required	Not required
<b>All front access</b>	Yes	Yes
<b>Customer premises application</b>	Ideal	Ideal
<b>19" mounting</b>	Yes	Yes
<b>23" mounting</b>	Yes	Yes
<b>Cabinet mount</b>	Yes	Yes
<b>Wall mount</b>	Yes. A wall mount kit is available	Yes. A wall mount kit is available
<b>Mix equipment with fiber product?</b>	Ideal	Ideal
<b>Use as dedicated fiber frame</b>	Not recommended. (See ODF catalog #103742AE)	Not recommended. (See ODF catalog #103742AE)
<b>VAM capabilities</b>	No	Yes. MicroVAM plug-ins available
<b>Optimum jumper storage location</b>	Can be configured with storage	Can be configured with storage
<b>Vertical cable guide</b>	VCG available as separate item	VCG available as separate item

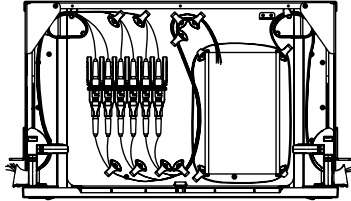


# FMT Series Fiber Optic Panel

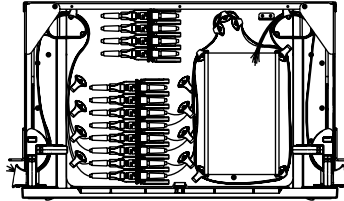
1 RU Fiber Termination/Splice Drawers with Adapters or Pigtails

## Features

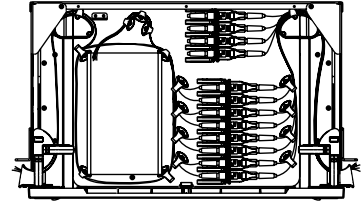
- Terminates and splices 12-, 16- or 24-fibers in an all front access design
- Mounts in 19- or 23-inch racks
- Sliding radius limiters provide cable management for incoming and outgoing fibers
- Panels loaded with pigtails come with color-coded 900  $\mu\text{m}$  pigtails



1 RU 12-Termination/Splice Drawer  
(Right Splice Entry)



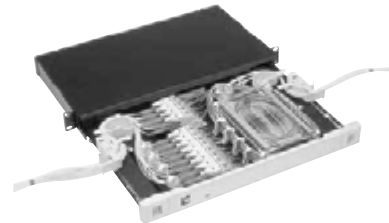
1 RU 24-Termination/Splice Drawer  
(Right Splice Entry)



1 RU 24-Termination/Splice Drawer  
(Left Splice Entry)



1 RU 12-Termination/Splice Drawer  
(Right Splice Entry)



1 RU 24-Termination/Splice Drawer  
(Right Splice Entry)

10/07 • 103743AE Fiber Optic Panels

## Catalog Number

FMT - 0 0 - A P

### Cable Entry

D	Front Entry
J	Rear Entry

### Drawer Configuration

TL	Term splice with splice tray (left splice entry)
TR	Term splice with splice tray (right splice entry)
TU	Term splice with splice tray (universal splice entry - rear entry only)

### Connector and Adapter Type

Multimode	
9	SC
6	LC
Singlemode	
7	SC ultra polish
J	SC angled polish
2	FC ultra polish
8	LC ultra polish
Z	LC angled polish

### Number of Ports

12	12 ports
16	16 ports
24	24 ports

### Lock Type

0	No lock
1	Lock, key type #1

### Chip Type (mini splice tray)

0	N/A
2	Heat shrink (single fiber fusion)
3	Mechanical (mass fusion)

### Pigtail or Adapter Type

A	Adapter-only
C	Multimode stranded pigtails (50/125 $\mu\text{m}$ )
K	Multimode stranded pigtails (62.5/125 $\mu\text{m}$ )
U	Singlemode stranded pigtails
R	Singlemode ribbon pigtails

All 19- or 23-inch mounting brackets are reversible and can mount in EIA and WECO racks.

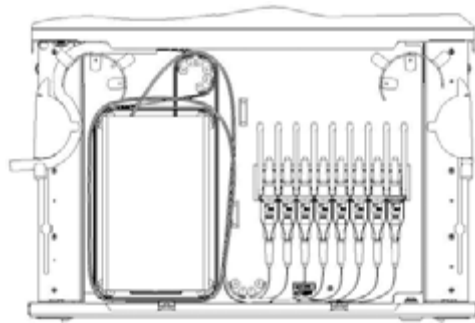
Other configurations are available upon request. Please contact TE Connectivity's Technical Assistance Center.

# FMT Series Fiber Optic Panel

2 RU Fiber Termination/Splice Drawers with Adapters or Pigtails

## Features

- Terminates and splices 48-fibers in an all-front-access design
- Mounts in 19- or 23-inch racks
- Sliding radius limiters provide cable management for incoming and outgoing fibers
- Panels loaded with pigtails come with color-coded 900  $\mu\text{m}$  pigtails



2 RU 48-Termination/Splice Drawer

### Catalog Number

FMT-GTL 0 0 - A48 P

#### Connector and Adapter Type

Multimode	
9	SC
6	LC
Singlemode	
7	SC ultra polish
J	SC angled polish
2	FC ultra polish
8	LC ultra polish
Z	LC angled polish

#### Pigtail or Adapter Type

A	Adapter-only
C	Multimode stranded pigtails (50/125 $\mu\text{m}$ )
K	Multimode stranded pigtails (62.5/125 $\mu\text{m}$ )
U	Singlemode stranded pigtails
R	Singlemode ribbon pigtails

#### Lock Type

0	No lock
1	Lock, key type #1

#### Chip Type

0	No splice tray
2	Heat shrink (single fiber fusion)
3	Mechanical (mass fusion)

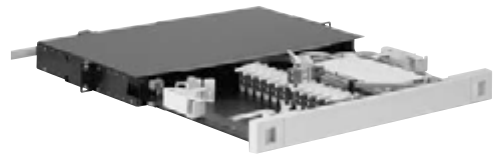
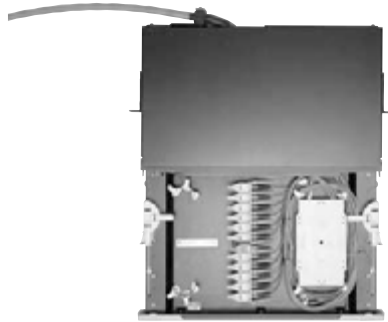
Other configurations are available upon request. Please contact TE Connectivity's Technical Assistance Center.

# FMT Series Fiber Optic Panel

1 RU Fiber Termination Drawers with Multifiber Cable (Preterminated)

## Features

- Allows for termination of a 24-fiber cable preterminated with IFC or OSP and shipped attached to the panel
- Minimizes installation time and expense



1 RU 24-Position Termination Drawer with Multifiber Cable (IFC or OSP)

10/07 • 103743AE Fiber Optic Panels

### Catalog Number

FMT - N 2 - A 24 P

#### Cable Entry

D	Front entry
J	Rear entry

#### Lock Type

0	No lock
1	Lock, key type #1

#### Cable Type

Multimode	
Y	IFC stranded 50/125 $\mu$ m riser
C	IFC stranded 62.5/125 $\mu$ m riser
Singlemode	
A	IFC stranded riser
M	IFC ribbon riser
L	OSP armored ribbon

#### Cable Length

008	8 m (25')
016	16 m (50')
023	23 m (75')
031	31 m (100')
039	39 m (125')
046	46 m (150')
061	61 m (200')
077	77 m (250')
092	92 m (300')
122	122 m (400')
153	153 m (500')

#### Connector and Adapter Type

Multimode	
9	SC
6	LC
Singlemode	
7	SC ultra polish
J	SC angled polish
2	FC ultra polish
8	LC ultra polish
Z	LC angled polish

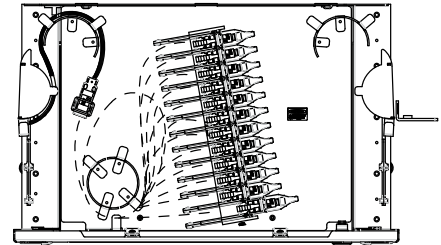
Other configurations are available upon request. Please contact TE Connectivity's Technical Assistance Center.

# FMT Series Fiber Optic Panel

2 RU Fiber Termination Drawers with Multifiber Cable (Preterminated)

## Features

- Provides termination for 72- or 96-fibers preterminated with IFC or OSP multifiber cable
- Mounts in 19- or 23-inch racks
- Sliding radius limiters provide cable management for incoming and outgoing fibers



2 RU 72-Termination Drawer with Multifiber Cable (IFC or OSP)

**Catalog Number**  
FMT-GN7 - A P

### Cable Type

Multimode	
Y	IFC stranded 50/125 μm riser
C	IFC stranded 62.5/125 μm riser
Singlemode	
A	IFC stranded riser
M	IFC ribbon riser
L	OSP armored ribbon

### Connector and Adapter Type

Multimode	
9	SC
6	LC
Singlemode	
7	SC ultra polish
J	SC angled polish
2	FC ultra polish
8	LC ultra polish
Z	LC angled polish

### Number of Ports

72	72 ports
96	96 ports (LC connectors only)

### Lock Type

0	No lock
1	Lock, key type #1

### Cable Length

008	8 m (25')
016	16 m (50')
023	23 m (75')
031	31 m (100')
039	39 m (125')
046	46 m (150')
061	61 m (200')
077	77 m (250')
092	92 m (300')
122	122 m (400')
153	153 m (500')

Other configurations are available upon request. Please contact TE Connectivity's Technical Assistance Center.

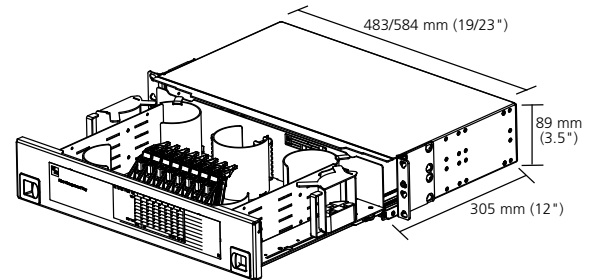
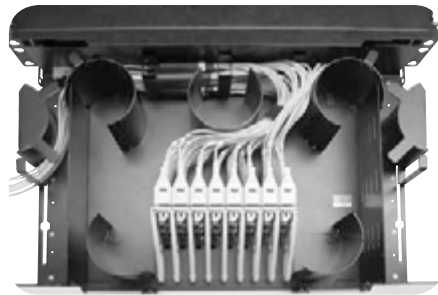
# FMT Series Fiber Optic Panel

## 2 RU Fiber Termination Drawers with MPO Connectors

Active equipment manufacturers are increasingly building DWDM transceivers that use the multifiber MPO connector. While the MPO provides a compact interface on the transceiver card, most service providers require single-circuit access. This creates the need for a conversion from the multifiber MPO to a single-fiber connector. TE's Fiber Management Tray (FMT) is a compact two rack-unit termination panel that features industry-leading cable management and TE's sliding adapter packs, thereby enabling safe single-circuit access. The FMT can also be configured with high-quality MPO to LC breakout cables that provide the connectivity between the DWDM transceiver and the FMT panel.

### Features

- Low-loss MPO to LC breakout cables enable test access points for each card, provide single-circuit access for moves, adds or changes and high-quality terminations induce minimum insertion loss in circuit
- Total front access termination drawer allows quick and easy connection between active equipment and fiber distribution frame line-up
- Industry-leading cable management protects bend radius, provides clean and organized cable routing pathways and protects traffic-carrying fiber from physical damage
- Sliding adapter packs grouped into counts of eight LC adapters allow access to each individual fiber from one card, eliminating the possibility of disturbing adjacent fibers
- Panel provides a demarcation point for MPO
- MPO insertion loss (1310 and 1550 nm): 0.5 dB maximum; 0.2 dB typical
- MPO return loss (1310 and 1550 nm): -65 dB minimum
- LC insertion loss (1310 and 1550 nm): 0.3 dB maximum; 0.1 dB typical
- LC return loss (1310 and 1550 nm): -55 dB minimum



FMT 2 RU Empty Panel

### Ordering Information

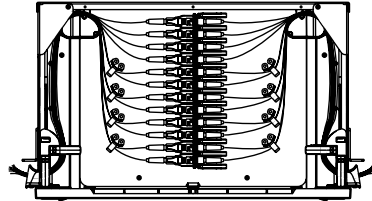
Description	Catalog Number
<b>2 RU termination panel with MPO connectors</b>	
80-position panel loaded with MPO to LC/UPC assemblies (8-fiber female APC MPO to 64-LC terminations)	FMT-GM7B808F0-A80P
64-position panel loaded with MPO to LC/UPC assemblies (8-fiber female APC MPO to 64-LC terminations)	FMT-GM7B808F0-A64P
<b>2 RU termination panel with adapters-only</b>	
64-position panel loaded with LC/UPC adapters	FMT-GM7B80A00-A64P
80-position panel loaded with LC/UPC adapters	FMT-GM7B80A00-A80P
<b>Cable assembly</b>	
MPO to LC/UPC cable assembly (8-fiber female APC MPO); 2 meters long	MRE-AF/OKBA1.7M11

# FMT Series Fiber Optic Panel

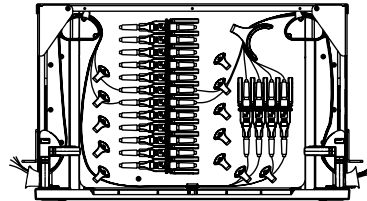
## 1 RU Adapter-Only Fiber Termination Drawers

### Features

- Provides termination for 24- or 32-fibers in an all-front-access design
- Mounts in 19- or 23-inch racks
- Sliding radius limiters provide cable management for incoming and outgoing fibers



1 RU 24-Termination  
Adapter-Only Drawer



1 RU 32-Termination  
Adapter-Only Drawer

10/07 • 103743AE Fiber Optic Panels

Rack Mount Panel Solutions

**Catalog Number**  
FMT- R T 0 0 A 0 - A P

#### Cable Entry

D	Front Entry
J	Rear Entry

#### Connector and Adapter Type

Multimode	
9	SC
6	LC
Singlemode	
7	SC ultra polish
J	SC angled polish
2	FC ultra polish
8	LC ultra polish
Z	LC angled polish

#### Number of Ports

24	24 ports
32	32 ports

#### Lock Type

0	No lock
1	Lock, key type #1

All 19- or 23- inch mounting brackets are reversible and can mount in EIA or WECO racks.

Other configurations are available upon request. Please contact TE Connectivity's Technical Assistance Center.



# FMT Series Fiber Optic Panel

## 2 RU Adapter-Only Fiber Termination Drawers

### Features

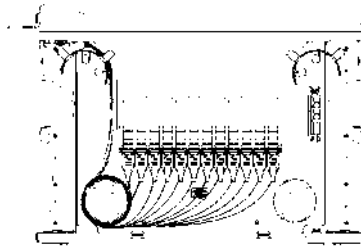
- Provides termination for 72- or 96-fibers in an all-front-access design
- Mounts in 19- or 23-inch racks
- Sliding radius limiters provide cable management for incoming and outgoing fibers



2 RU 72-Termination Adapter-Only Drawer



Sliding Adapter Pack Shown in Access Position



Fiber Optic Panels

10/07 • 103743AE

**Catalog Number**  
FMT-GRT0 0 A 0 - A P

### Connector and Adapter Type

Multimode	
9	SC
6	LC
Singlemode	
7	SC ultra polish
J	SC angled polish
2	FC ultra polish
8	LC ultra polish
Z	LC angled polish

### Number of Ports

72	72 ports
96	96 ports (LC connectors only)

### Lock Type

0	No lock
1	Lock, key type #1

Other configurations are available upon request. Please contact TE Connectivity's Technical Assistance Center.

Rack Mount Panel Solutions

# FMT Series Fiber Optic Panel

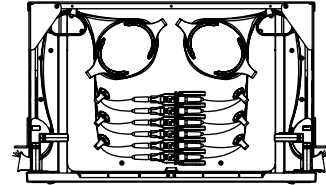
## 1 RU Fiber Termination/Storage Drawers

### Features

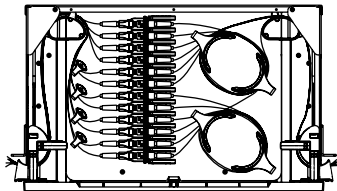
- Terminates and stores 12- or 24-fibers in an all-front-access design
- Mounts in 19- or 23-inch racks
- Sliding radius limiters provide cable management for incoming and outgoing fibers



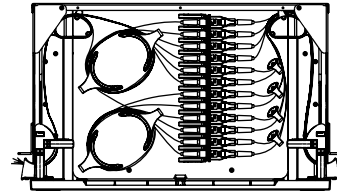
**1 RU 12-Termination/Storage Drawer**  
(Universal Storage)



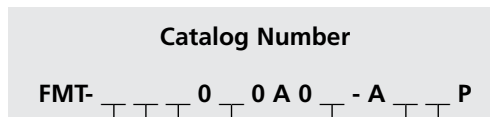
**1 RU 12-Termination/Storage Drawer**  
(Universal Storage)



**1 RU 24-Termination/Storage Drawer**  
(Right Storage)



**1 RU 24-Termination/Storage Drawer**  
(Left Storage)



#### Cable Entry

D	Front entry
J	Rear entry

#### Drawer Configuration

SL	Termination/storage (left storage)
SR	Termination/storage (right storage)
ST	Termination/storage (universal storage)

#### Connector and Adapter Type

Multimode	
9	SC
6	LC
Singlemode	
7	SC ultra polish
J	SC angled polish
2	FC ultra polish
8	LC ultra polish
Z	LC angled polish

#### Number of Ports

12	Available with ST drawer configuration only
24	Available with SR and SL drawer configurations only

#### Lock Type

0	No lock
1	Lock, key type #1

All 19- and 23-inch mounting brackets are reversible and can mount in EIA and WECO racks.

Other configurations are available upon request. Please contact TE Connectivity's Technical Assistance Center.



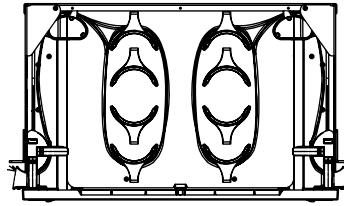
# FMT Series Fiber Optic Panel

## 1 RU Slack Storage Drawers

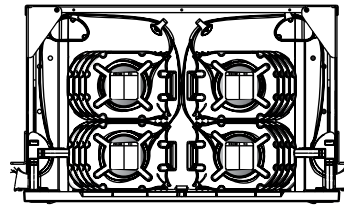
### Features

- Offers bulk storage for up to 60 fibers and discrete slack storage for up to 16 fibers
- All-front-access drawer mounts in 19- or 23-inch racks
- Sliding radius limiters provide cable management for incoming and outgoing fibers

### Bulk Storage Drawer

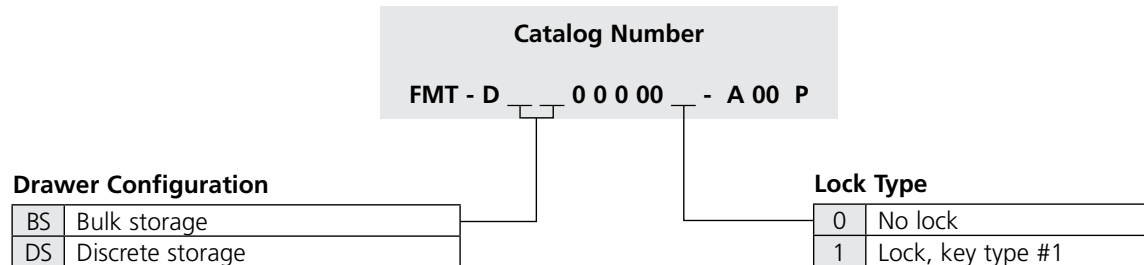


### Discrete Storage Drawer



10/07 • 103743AE Fiber Optic Panels

Slack storage type	Capacity		
	3.0 mm cable	2.0 mm cable	1.7 mm cable
Bulk	32 cables, 2.5 m each	48 cables, 2.5 m each	60 cables, 4 m each
Discrete	16 cables, 1.7 m each	16 cables, 2 m each	16 cables, 2.5 m each



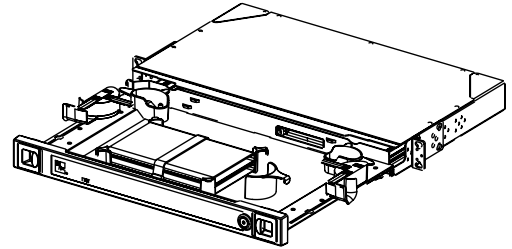
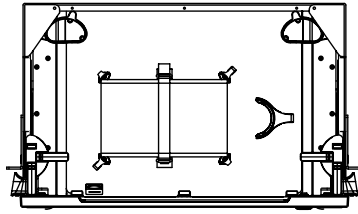
All 19- and 23-inch mounting brackets are reversible and can mount in EIA and WECCO racks.

Other configurations are available upon request. Please contact TE Connectivity's Technical Assistance Center.



# FMT Series Fiber Optic Panel

1 RU Splice Drawers



1 RU Splice-Only Drawer

10/07 • 103743AE Fiber Optic Panels

**Catalog Number**  
FMT - DAS0000 - A P

**Splice Type**

0	None
2	Heat shrink (single fiber fusion)
3	Mechanical (mass fusion)

**Lock Type**

0	No lock
1	Lock, key type #1

**Drawer Capacity**

12	1 splice tray
24	2 splice trays

All 19- and 23-inch mounting brackets are reversible and can mount in EIA and WECO racks.



# FMT Series Fiber Optic Panel

## 2 RU Value-Added Module (VAM) MicroVAM Chassis

The FMT MicroVAM chassis accommodates MicroVAM modules. The MicroVAM module is TE's highest density and most versatile VAM module.



2 RU FMT with Single MicroVAMs



Single MicroVAMs Shown in Access Position



1 RU FMT with Single MicroVAMs

### Ordering Information

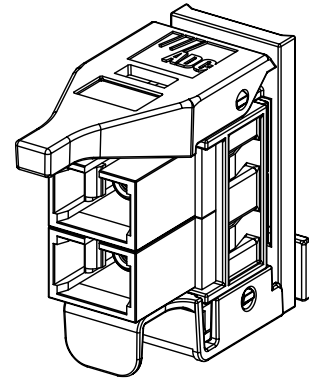
Description	Dimensions (HxWxD)	Catalog Number
<b>2 RU FMT MicroVAM chassis, unloaded;</b> accommodates up to 12 single MicroVAMs for monitoring optical signals	89 mm x 483 mm/584 mm x 244 mm (3.5" x 19"/23" x 9.6")	FMT-GVM000000-A72P
<b>1 RU FMT MicroVAM chassis, unloaded;</b> accommodates up to 4 single MicroVAMs for monitoring optical signals	44 mm x 483 mm/584 mm x 244 mm (1.75" x 19"/23" x 9.6")	FMT-DVS000000-E00B

### Value-Added Module (VAM) System

TE offers an expansive line of monitor, splitter, WDM and CWDM VAM plug-in modules designed to meet all application needs. Please reference the **Value-Added Module (VAM) System Catalog #101663AE** for details at [www.te.com](http://www.te.com) or contact TE Customer Service.

### Sliding Adapter Pack

Sliding adapter packs house groups of fiber optic adapters and are mounted in fiber termination panels to provide easy access to connectors. Sliding adapter packs are available with SC, FC and LC adapters. A 2-position sliding adapter pack for a 1 RU FMT is shown to the right.



**Sliding Adapter Pack**

#### Ordering Information

Description	Catalog Number
<b>Multimode</b>	
SC	FMT-2SAP09
LC	FMT-2SAP06
<b>Singlemode</b>	
SC ultra polish	FMT-2SAP07
SC angled polish	FMT-2SAP0J
FC ultra polish	FMT-2SAP02
LC ultra polish	FMT-2SAP08
LC angled polish	FMT-2SAP0Z

### Mini Splice Tray

For use with splicing configurations in the 1 RU FMT.

#### Ordering Information

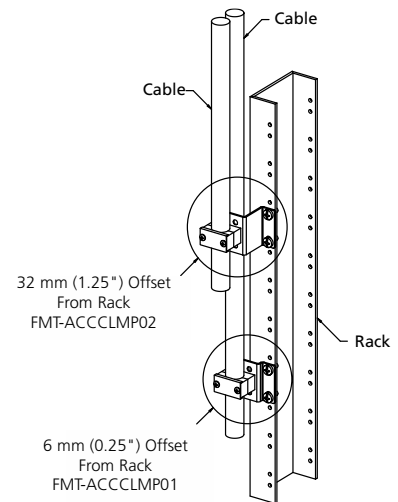
Description	Catalog Number
<b>Bare fusion</b>	FL1-M-FT
<b>Heat shrink</b> (single fiber fusion)	FL1-M-HS
<b>Mechanical</b> (mass fusion)	FL1-M-MT

### Wall Mount Kit, Cable Clamp Kit and Vertical Cable Guide

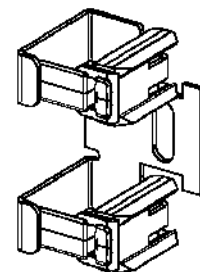
The cable clamp kit provides a means of securing cable entering the drawer. The wall mount kit is required for wall mount applications. Vertical cable guide safely routes fiber cable on the frame.

#### Ordering Information

Description	Catalog Number
<b>Wall mount kit</b>	FMT-ACCWLMT01
<b>Cable clamp kits</b>	
6 mm (0.25") offset from frame	FMT-ACCCLMP01
32 mm (1.25") offset from frame	FMT-ACCCLMP02
<b>Vertical cable guide (VCG)</b>	FMT-ACCVCG01P



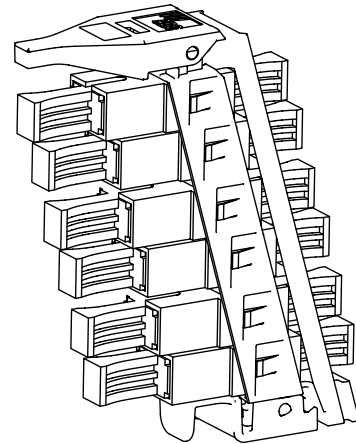
**Cable Clamp Kit**



**Vertical Cable Guide**

### Sliding Adapter Pack

Sliding adapter packs house groups of fiber optic adapters and are mounted in fiber termination panels to provide easy access to connectors. Sliding adapter packs are available with SC, FC and LC adapters. Adapters are preinstalled in the sliding adapter pack as shown to the right.



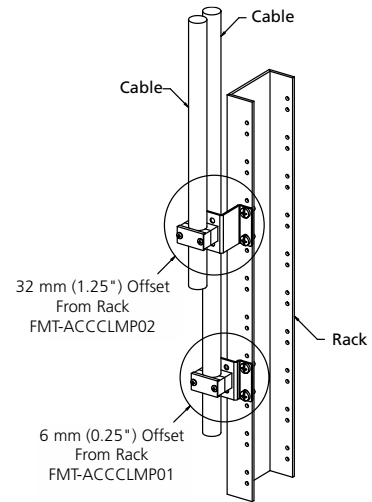
Sliding Adapter Pack

Ordering Information	
Description	Catalog Number
<b>Multimode</b>	
SC	FMT-6SAP09
LC 6 pack	FMT-6SAP06
LC 8 pack	FMT-8SAP06
<b>Singlemode</b>	
SC ultra polish	FMT-6SAP07
SC angled polish	FMT-6SAP0J
LC ultra polish 6 pack	FMT-6SAP08
LC angled polish 6 pack	FMT-6SAP0Z
LC ultra polish 8 pack	FMT-8SAP08
LC angled polish 8 pack	FMT-8SAP0Z

### Mini Splice Tray

For use with splicing configurations in the 2 RU FMT.

Ordering Information	
Description	Catalog Number
<b>Bare fusion</b>	FST-M-FT
<b>Heat shrink</b> (single fiber fusion)	FST-M-HS
<b>Mechanical</b> (mass fusion)	FST-M-MT

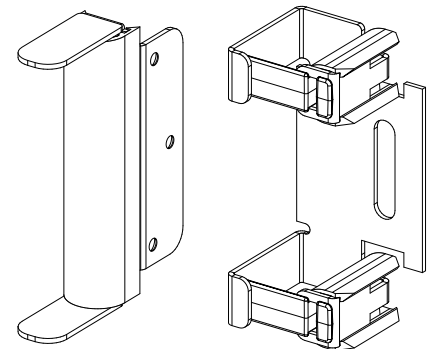


Cable Clamp Kit

### Cable Clamp Kit and Vertical Cable Guide

The cable clamp kit provides a means of securing cable entering the drawer. Vertical cable guide safely routes fiber cable on the frame.

Ordering Information	
Description	Catalog Number
<b>Cable clamp kit</b>	
6 mm (0.25") offset from frame	FMT-ACCCLMP01
32 mm (1.25") offset frame	FMT-ACCCLMP02
<b>Vertical cable guide (VCG)</b>	FMT-ACC21P



Vertical Cable Guide



# FMT Series Fiber Optic Panel

## Drawer Accessories

### Ordering Information for Patch Cords and Attenuators

TE Connectivity offers a comprehensive line of cable assembly and accessory products including patch cords, IFC assemblies, attenuators, FasTerm® connectors and adapters to meet the demanding needs of today's network. Please refer to the **Fiber Cable Assemblies Catalog #10280AE** at [www.te.com](http://www.te.com) for more detailed information. For your convenience, ordering information for patch cords and attenuators can also be found on pages 80-85.

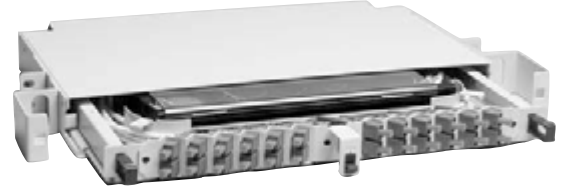


# FPL Series Fiber Optic Panel

## Introduction



5 RU 144-Position Panel



1 RU 24-Position Panel

10/07 • 103743AE Fiber Optic Panels

TE Connectivity's FPL series provides industry-leading fiber cable protection and management. The panel utilizes an internal splicing system that creates a compact, feature-rich, high-density solution. FPL achieves densities of 48-fiber terminations/splices in 1 RU (1.75") and 288-terminations/splices in 5 RU (8.75") using LC connectors. These densities are attained while utilizing TE Connectivity's angled adapters to ease cable access, protect bend radius and provide individual fiber access. Vertical cable guides on either side of the panel allow for managed routing and protection of the fiber entering and exiting the panel. The FPL's wide range of features and options are designed for your networks' growing needs.

Panels are equipped with adjustable mounting brackets to provide either 19- or 23-inch rack mounting with either four- or five-inch recess mounting. The panel is available preterminated with pigtails or IFC cable to simplify ordering and reduce installation time. TE Connectivity's removable angled retainers allow for easy access for single fiber maintenance. Vertical cable guides on either side of the panel provide fiber routing and management of fibers exiting the panel. Using LC small-form-factor connectors doubles the capacity of each panel.

Rack Mount Panel Solutions

### Product Overview

<b>Recommended Applications</b>	High-density termination/splice panel solution. Often used in small wire closets or frames. Ideal for small to medium fiber counts.
<b>Description</b>	288-fiber terminations in 8.75" H or 48-fiber terminations in 1.75" H (LC connectors)
<b>Number of fibers, future growth potential</b>	12 to 288
<b>Flexibility/ability to grow</b>	Yes
<b>Interconnect</b>	Ideal
<b>Cross-connect</b>	Yes
<b>Accommodates on-frame splicing</b>	Yes. Built-in
<b>Accommodates off-frame splicing</b>	Yes. IFC cable and assembly available
<b>Rear access</b>	Required on panels greater than 1 RU
<b>All front access</b>	No. (All panels are rear access with the exception of the 1 RU panel)
<b>Customer premises application</b>	Ideal
<b>19" mounting</b>	Yes
<b>23" mounting</b>	Yes
<b>Cabinet mount</b>	Not recommended. (See FMT)
<b>Wall mount</b>	No
<b>Mix equipment with fiber product?</b>	Ideal
<b>Use as dedicated fiber frame</b>	Not recommended. (See ODF catalog #103742AE)
<b>VAM capabilities</b>	No
<b>Optimum jumper storage location</b>	IMP or separate storage panel required
<b>Vertical cable guide</b>	Includes VCG on both sides



# FPL Series Fiber Optic Panel

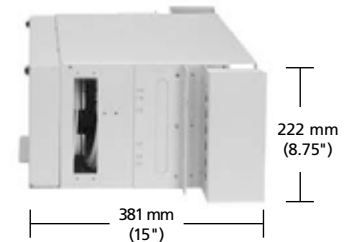
## 5 RU High-Density Termination and Splice Panels

### Features

- Provides termination and splicing for up to 144 fibers (288 fibers with LC connectors) within an 8.75-inch height (5 RU)
- Rear flip-down splicing area uses standard splice trays and provides slack storage for OSP/IFC buffer tubes
- Angled bulkhead ensures ease of access to individual connectors
- Panel is equipped with six dual height splice trays
- Optional lock for front door (available separately)
- Removable front polycarbonate door
- Designation labels included with each panel
- Mounting brackets included with panel may be flipped to accommodate 19- or 23-inch mounting with either a four- or five-inch recess
- Maximum of three panels to be used within one frame, for a total of 432 terminations



**5 RU Termination/Splice Panel**  
(Front View)



**Side View**  
(Splicing Area Closed)



**Top Cover Removed**  
(Splicing Area Open)



**Side View**  
(Splicing Area Open)

### Catalog Number

FPL-144 R 0 - 0

#### Pigtail or Adapter Type

A	Adapter-only
P	Stranded pigtailed and adapters
R	Ribbon pigtailed and adapters

#### Connector and Adapter Type

Multimode*	
9	SC
6	LC <sup>1</sup>
Singlemode	
7	SC ultra polish
J	SC angled polish
2	FC ultra polish
8	LC ultra polish <sup>1</sup>
Z	LC angled polish <sup>1</sup>

#### Splice Type

0	None (termination-only) <sup>2</sup>
1	Bare fusion
2	Heat shrink (single fiber fusion)
3	Mechanical (mass fusion)

#### Number of Ports Loaded

72	72 ports
144	144 ports
288	288 ports (with LC connectors)

\*Standard multimode pigtailed are 62.5/125 μm

<sup>1</sup>LC connectors and adapters double the capacity of the panel by terminating two fibers at each adapter.

<sup>2</sup>Termination-only panels have a 12-inch depth, termination/splice panels have a 15-inch depth and splice trays cannot be added to termination-only panels.

Other configurations are available upon request. Please contact TE Connectivity's Technical Assistance Center.

# FPL Series Fiber Optic Panel

## 1 RU High-Density Termination and Splice Panels

### Features

- Panels are only 1 RU (1.75-inch) high
- Up to 48 connections in 1 RU of space
- Available in 12- or 24-port termination-only or termination/splice within a single panel
- Using LC small-form-factor connectors doubles the capacity of each panel
- Angled left and right connectors allow easy cable routing from left and right
- Vertical cable guides on either side of the panel provide bend radius protection and management of fibers exiting or entering the panel
- Front entry/exit cable management
- Highly accessible splicing area that uses a drawer design
- Flexible mounting allows for use in 19- or 23-inch rack with either a four- or five-inch recess



1 RU Termination/Splice Panel

Fiber Optic Panels

Rack Mount Panel Solutions

### Catalog Number

FPL - R 0 - 0

#### Panel Capacity

12	12-position
1D	24-position

#### Pigtail or Adapter Type

A	Adapter-only
P	Stranded pigtails and adapters
R	Ribbon pigtails and adapters

#### Connector and Adapter Type

Multimode*	
9	SC
6	LC <sup>1</sup>
Singlemode	
7	SC ultra polish
J	SC angled polish
2	FC ultra polish
8	LC ultra polish <sup>1</sup>
Z	LC angled polish <sup>1</sup>

#### Splice Type

0	None
2	Heat shrink (single fiber fusion)
3	Mechanical (mass fusion)

#### Number of Ports Loaded

12	12 ports
24	24 ports
48	48 ports (24 port panel with LC)

\*Standard multimode pigtails are 62.5/125 μm.

<sup>1</sup>LC connectors and adapters double the capacity of the panel by terminating two fibers at each adapter.

Other configurations are available upon request. Please contact TE Connectivity's Technical Assistance Center.

# FPL Series Fiber Optic Panel

Fiber Termination/Splice Panels with Adapters or Pigtails

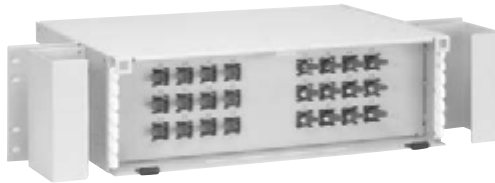
10/07 • 103743AE Fiber Optic Panels

## Features

- Available in 12-, 24-, 48-, 72-, 96-, 144- and 288-termination densities
- Provides termination and splice of pigtails as well as associated fiber/pigtail storage
- Rear splice area saves space by reducing panel height (1 RU versions use drawer splicing)
- Splice area provides up to a total of seven meters of slack storage for pigtails and OSP/IFC buffer tubes
- Optional lock for both front and rear doors available separately – (not available on 1 RU)
- Removable front polycarbonate door
- Designation labels included with each panel
- Mounting brackets included with panel may be flipped to accommodate 19- or 23-inch mounting with either four- or five-inch recess



**12-Position Termination/Splice Panel**  
(Front View with Drawer Open)



**24-Position Termination/Splice Panel**  
(Front View)



**24-Position Termination/Splice Panel**  
(Rear View)



**24-Position Termination/Splice Panel**  
(Top Cover Removed with Pigtail Routing Shown)

See ordering information on following page.

Rack Mount Panel Solutions

# FPL Series Fiber Optic Panel

Fiber Termination/Splice Panels with Adapters or Pigtails

**Catalog Number**  
FPL- R 0 - 0

Panel Capacity		Panel Height
12	12-position	1.75" (1 RU)
1D	24-position	1.75" (1 RU)
24	24-position	5.25" (3 RU)
48	48-position	8.75" (5 RU)
72	72-position	8.75" (5 RU)
96	96-position	8.75" (5 RU)
144	144-position	8.75" (5 RU)

Pigtail or Adapter Type	
A	Adapter-only <sup>2</sup>
P	Stranded pigtails and adapters
R	Ribbon pigtails and adapters

Connector and Adapter Type	
<b>Multimode*</b>	
9	SC
6	LC <sup>1</sup>
<b>Singlemode</b>	
7	SC ultra polish
J	SC angled polish
2	FC ultra polish
Z	LC angled polish <sup>1</sup>
8	LC ultra polish <sup>1</sup>

Splice Type	
0	None
1	Bare fusion
2	Heat shrink (single fiber fusion)
3	Mechanical (mass fusion)

Number of Ports Loaded	
12	12 ports
24	24 ports
48	48 ports
72	72 ports
96	96 ports
144	144 ports (use 72-position panel with LC connectors)
192	192 ports (use 96-position panel with LC connectors)
288	288 ports (use 144-position panel with LC connectors)

\*Standard multimode pigtails are 62.5/125 μm.

<sup>1</sup>LC connectors and adapters double the capacity of the panel by terminating two fibers at each adapter.

<sup>2</sup>144-position panels loaded with adapters-only have a 12-inch depth. 144-position termination/splice panels have a 15-inch depth. Splice trays cannot be added to termination-only panels

Other configurations are available upon request. Please contact TE Connectivity's Technical Assistance Center.

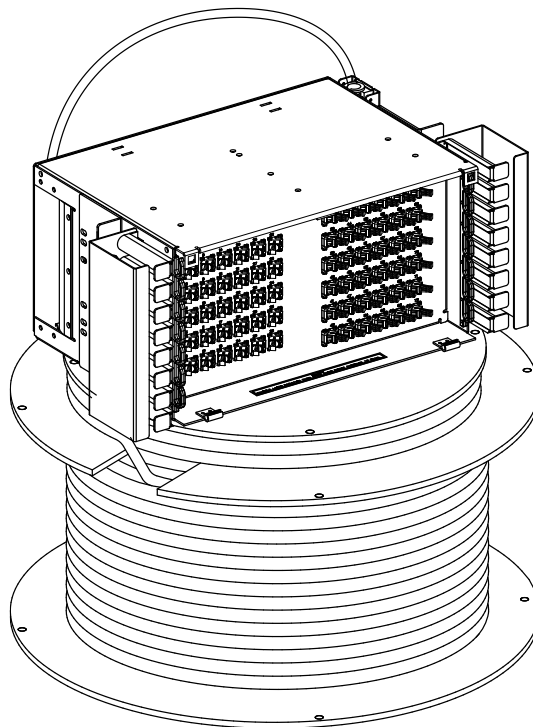
# FPL Series Fiber Optic Panel

Fiber Termination Panels with Multifiber Cable (Preterminated)

## Features

- Available in 12-, 24-, 48-, 72-, 96-, 144- and 288- (LC connectors only) termination densities
- Preterminated with factory-installed multifiber intrafacility cable (IFC) or outside plant (OSP) cable
- Panels with multifiber cable attached ship as a single unit with cable clamp installed
- Equipped with customer specified adapters, connectors, cable type and cable length
- Attached multifiber cable reduces installation time and simplifies ordering process with a single part number
- Optional lock for both front and rear doors (available separately)
- Removable front polycarbonate door
- Designation labels included with each panel
- Mounting brackets included with panel may be flipped to accommodate 19- or 23-inch mounting with either four- or five-inch recess

10/07 • 103743AE Fiber Optic Panels



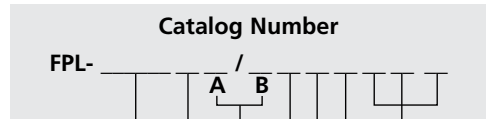
72-Position Panel with IFC

See ordering information on following page.

Rack Mount Panel Solutions

# FPL Series Fiber Optic Panel

Fiber Termination Panels with Multifiber Cable (Preterminated)



**Panel Capacity      Panel Height**

12	12-position	1.75" (1 RU)
1D	24-position	1.75" (1 RU)
24	24-position	5.25" (3 RU)
48	48-position	8.75" (5 RU)
72	72-position	8.75" (5 RU)
96	96-position	8.75" (5 RU)
144	144-position	8.75" (5 RU)

**Panel Type**

S	Singlemode
M	Multimode

**Near End (A)/Far End (B)  
Connector and Adapter Type**

0	Stub
<b>Multimode</b>	
9	SC
6	LC <sup>1</sup>
<b>Singlemode</b>	
7	SC ultra polish
J	SC angled polish
2	FC ultra polish
8	LC ultra polish <sup>1</sup>
Z	LC angled polish <sup>1</sup>

<sup>1</sup> LC connectors and adapters double the capacity of the panel by terminating two fibers at each adapter.

**Cable Length**

008	8 m (25')
016	16 m (50')
023	23 m (75')
031	31 m (100')
039	39 m (125')
046	46 m (150')
061	61 m (200')
077	77 m (250')
092	92 m (300')
122	122 m (400')
153	153 m (500')

**Cable Exit Direction**

U	Up
D	Down

**Cable Type**

<b>Multimode</b>	
Y	IFC stranded 50/125 μm riser
C	IFC stranded 62.5/125 μm riser
<b>Singlemode</b>	
A	IFC stranded riser
M	IFC ribbon riser
L	OSP armored ribbon 24 fibers and up

**Cable Size**

1	12
2	24
4	48
7	72
9	96
A	144
H	2 x 144 (144-position panel with LC connectors)

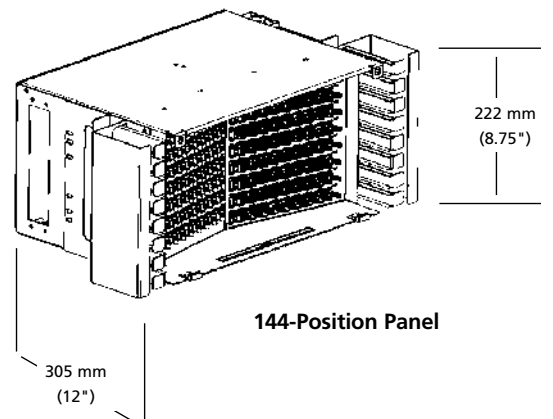
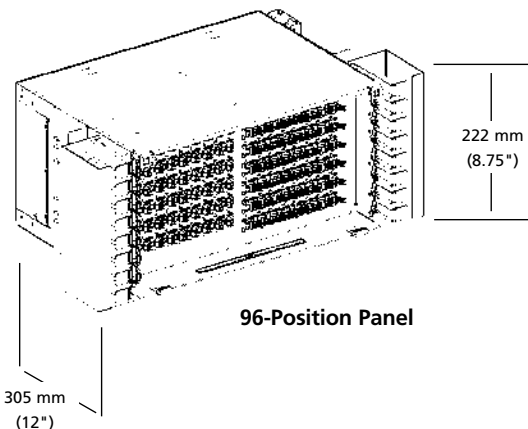
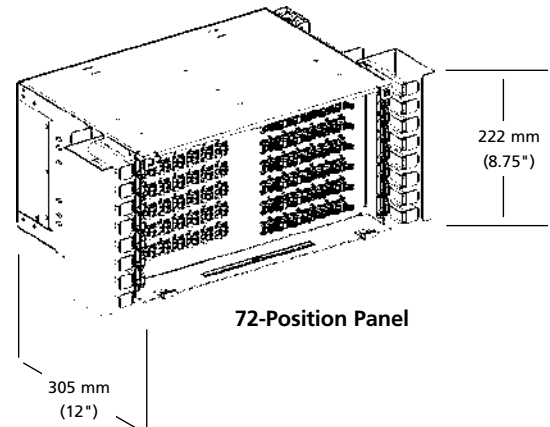
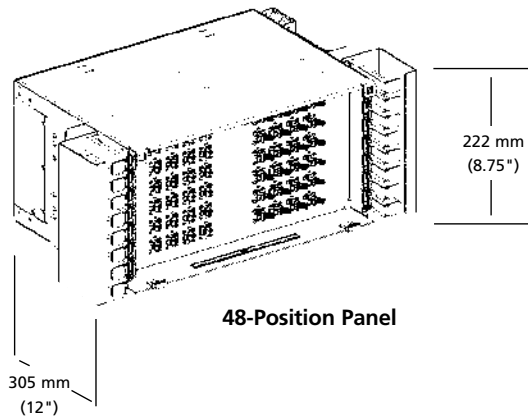
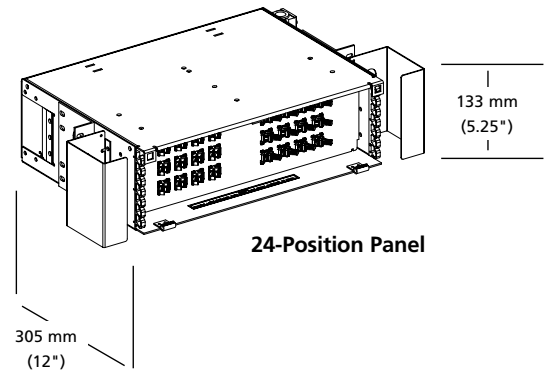
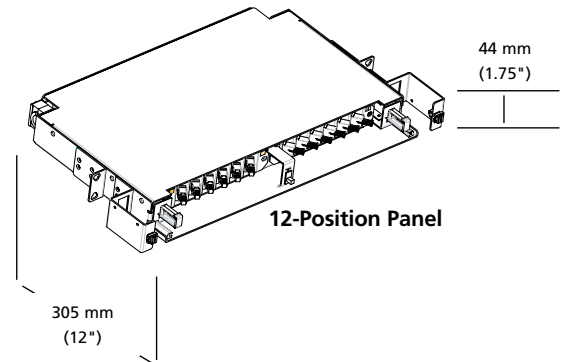
Other configurations are available upon request. Please contact TE Connectivity's Technical Assistance Center.

# FPL Series Fiber Optic Panel

Fiber Termination Panels with Adapters or Pigtails

## Features

- Available in 12-, 24-, 48-, 72-, 96-, 144- and 288-termination densities
- Density doubles with use of LC connectors
- Panel may be ordered with adapters only for a termination-only interconnect solution
- Panel may be ordered with 3.5 m pigtails for use with splice and storage panels
- Rear panel pigtail storage
- Optional lock for both front and rear doors (not available for 1 RU)
- Removeable front polycarbonate door
- Designation labels included with each panel
- Mounting brackets included with panel can flip to accommodate 19- or 23-inch mounting with either four- or five-inch recess



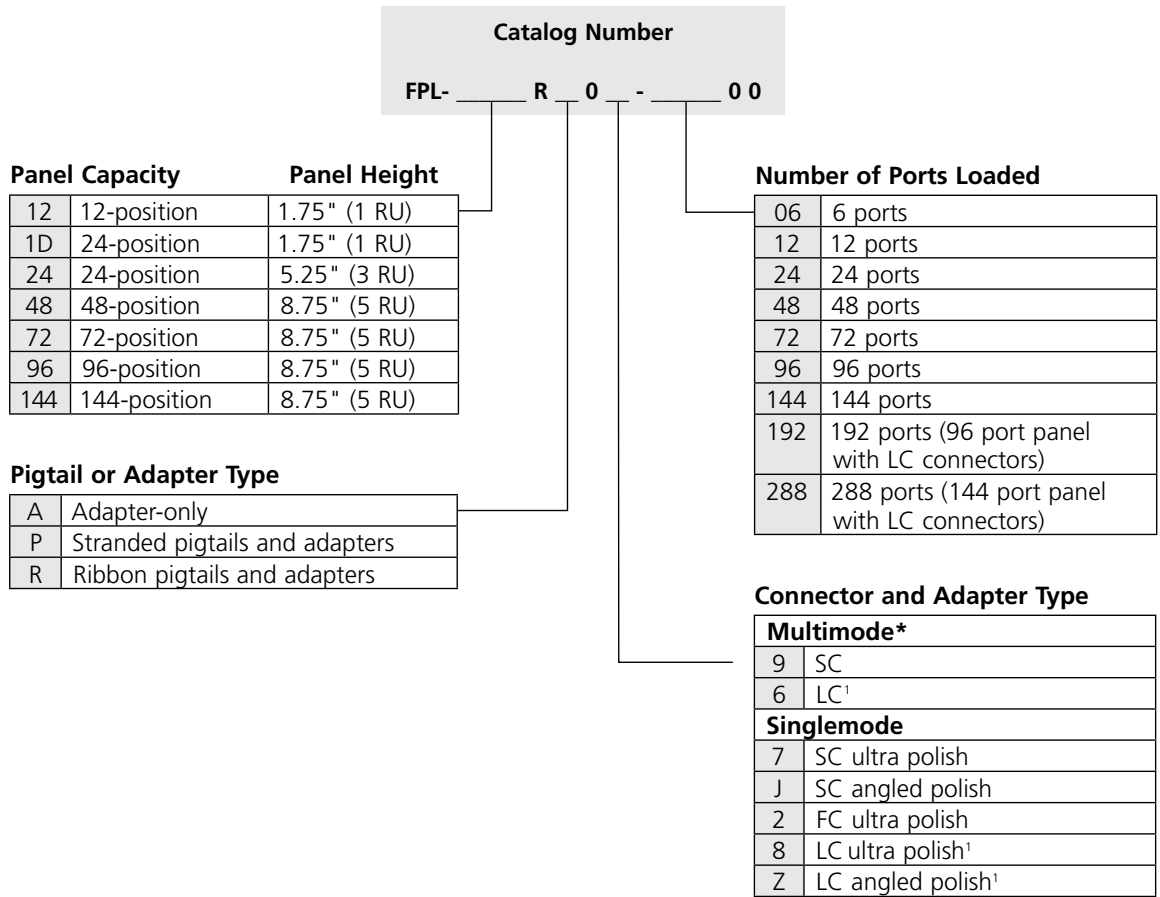
See ordering information on following page.

10/07 • 103743AE Fiber Optic Panels

Rack Mount Panel Solutions

# FPL Series Fiber Optic Panel

Fiber Termination Panels with Adapters or Pigtails



\*Standard multimode pigtails are 62.5/125 μm.

<sup>1</sup>LC connectors and adapters double the capacity of the panel by terminating two fibers at each adapter.

**Ordering Example:** FPL-144RP08-28800 specifies a 5 RU panel, 144-positions and 288 fibers/terminations with LC connectors only.

Other configurations are available upon request. Please contact TE Connectivity's Technical Assistance Center.



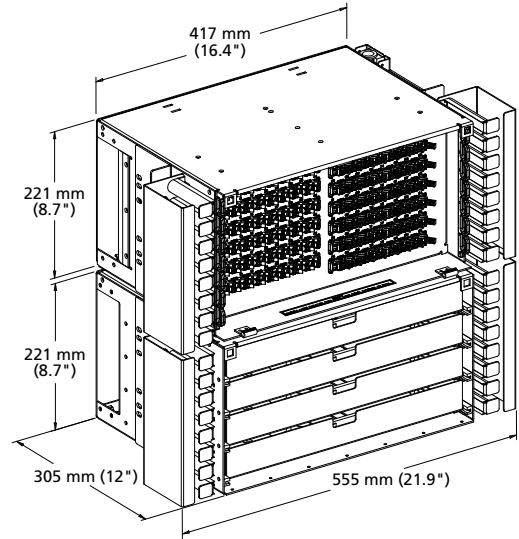
# FPL Series Fiber Optic Panel

## Splice and Storage Drawers

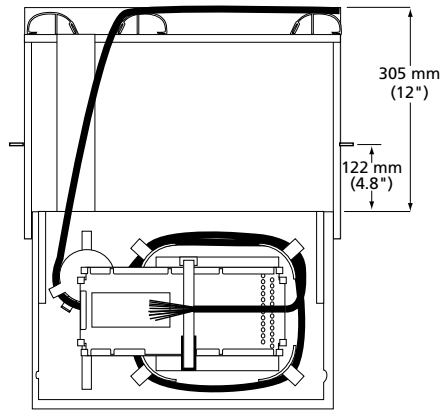
10/07 • 103743AE Fiber Optic Panels

### Features

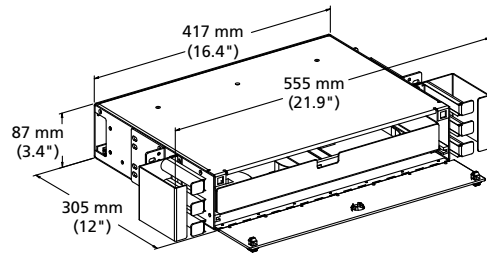
- Available in 24-, 48-, 72- and 96-splice densities. Each drawer provides splicing and storage functions
- Each splice drawer accommodates one dual (24-fibers/tray) or two single (12-fibers/tray) splice trays
- Occupies same footprint as FPL termination-only panels
- Splice trays sold separately
- Hinged transparent front door protects storage drawers and cables from damage during routine activity at or near the panel
- Mounting brackets included with panel can flip to accommodate 19- or 23-inch mounting with either four- or five-inch recess
- Designation labels included with each panel



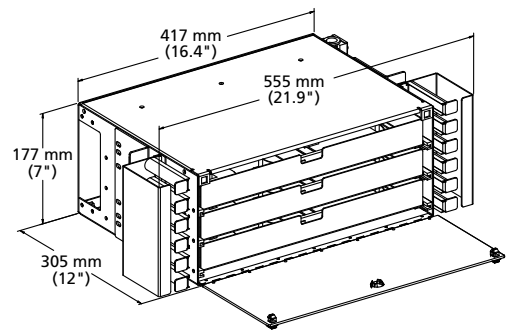
**96-Position Termination Panel**  
(With FPL-SR2000 Mounted Below)



**FPL-SR2000**  
(Top View with Drawer Open)



**FPL-SR2024**



**FPL-SR2072**

### Ordering Information

Description	Catalog Number
<b>24-fiber splice drawer</b> , rack mount	FPL-SR2024
<b>48-fiber splice drawer</b> , rack mount	FPL-SR2048
<b>72-fiber splice drawer</b> , rack mount	FPL-SR2072
<b>96-fiber splice drawer</b> , rack mount	FPL-SR2000

Rack Mount Panel Solutions

### Splice Tray

For use with FPL termination/splice panels.

Panel Size	Splice Tray Type	Number of Splice Trays Included for a Fully Loaded Panel
12 (1 RU)	Single Height	1
24 (1 RU)	Dual Height	1
24 (3 RU)	Single Height	2
48 (5 RU)	Dual Height	2
72 (5 RU)	Dual Height	3
96 (5 RU)	Dual Height	4
144 (5 RU)	Dual Height	6



Splice Tray

#### Ordering Information

Description	Splice Tray Type	Splice Quantity	Catalog Number
<b>12-position splice tray</b>			
Bare fusion	Single height	12	FST-FT
Heat shrink (single fiber fusion)	Single height	12	FST-HS
Mechanical	Single height	12	FST-MT
<b>24-position splice tray</b>			
Bare fusion	Dual height	24	FST-D-FT
Heat shrink (single fiber fusion)	Dual height	24	FST-D-HS
Mechanical (mass fusion)	Dual height	24	FST-D-MT

### Miscellaneous Accessories

#### Ordering Information

Description	Catalog Number
<b>Lock</b>	
Key lock #1	IPA-K1
Key lock #2	IPA-K2
Screwdriver lock	IPA-SC
<b>Cable clamp kit; kit of 1</b>	
Outer diameter 5 mm to 20 mm (0.2" to 0.8")	FL2-ACC007



# FPL Series Fiber Optic Panel

## Panel Accessories

### Ordering Information for Patch Cords and Attenuators

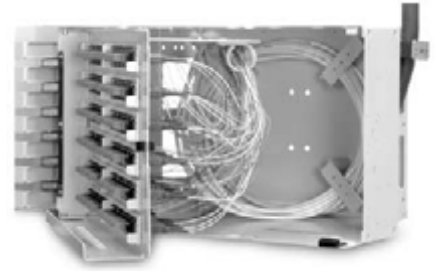
TE Connectivity offers a comprehensive line of cable assembly and accessory products including patch cords, IFC assemblies, attenuators, FasTerm® connectors and adapters to meet the demanding needs of today's network. Please refer to the **Fiber Cable Assemblies Catalog #102880AE** at [www.te.com](http://www.te.com) for more detailed information. For your convenience, ordering information for patch cords and attenuators can also be found on pages 80-85 .

10/07 • 103743AE Fiber Optic Panels

Rack Mount Panel Solutions



**Single Fiber Access**



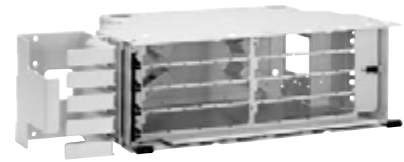
**Swing-out Bulkhead**  
(Allows Full Access)

The FL2000 system is a flexible and modular series of fiber products for today's and tomorrow's evolving communications and data networks.

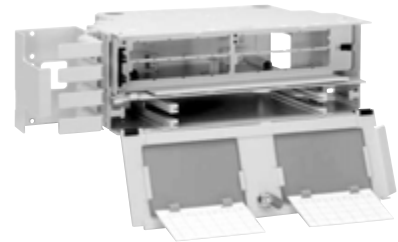
This product family is a complete line of modular panels developed for rack and wall mounting. The system is fully adaptable to small distribution frames, telephone closet (TC) applications, or active equipment racks. FL2000 panels are designed for both 19- and 23-inch EIA rack or cabinet environments. FL2000 products provide termination, splicing and storage capabilities for in-building cables, outside plant cables and fiber optic terminal (FOT) equipment.

FL2000's modular design offers maximum flexibility to satisfy current needs and future growth requirements. A full line of options and accessories ensures compatibility with existing optical equipment. FL2000 panels accommodate value-added module (VAM) plug-ins, adding flexibility and functionality to the optical transport system. Splitters, wavelength division multiplexers (WDMs) and other optical components can easily be incorporated. All FL2000 panels accommodate 6pak adapters. 6paks are available in all connector styles and can be ordered as needed. TE's removable angled retainers allow easy access for single fiber maintenance.

FL2000 panels feature superior vertical cable protection and management. Rack mount panels are hinged on one side, allowing full access to the rear of the front bulkhead plate and the interior of the panel. They come equipped with mounting brackets to provide five-inch recess mounting. Mounting brackets are available for virtually any mounting application. Rack mount panels can be wall mounted as well. The FL2000 splice wheel allows easy storage of pigtail and buffer tube lengths and superior bend radius protection. The FL2000 splice deck is available to complete existing installations.



**Rack Mount Termination Panel**  
(Empty)



**Rack Mount Termination/Splice Panel**  
(Empty)



**Rack Mount Termination Panel**  
(With IFC)



# FL2000 Series Fiber Optic Panel

## Introduction

### Product Overview

10/07 • 103743AE Fiber Optic Panels

<b>Recommended Applications</b>	Multi-purpose modular solution ideal for cabinet, rack, wall mount or medium size frame applications. Ideal for small to medium fiber counts.
<b>Description</b>	Termination, termination/splice, storage, splice-only
<b>Number of fibers, future growth potential</b>	12 to 96 (up to 192 with LC connectors)
<b>Flexibility/ability to grow</b>	Ideal for growth
<b>Interconnect</b>	Yes
<b>Cross-connect</b>	Yes
<b>Accommodates on-frame splicing</b>	Yes. Built-in
<b>Accommodates off-frame splicing</b>	Yes. IFC cable and assembly available
<b>Rear access</b>	Not required
<b>All-front-access</b>	Yes
<b>Customer premises application</b>	Ideal
<b>19" mounting</b>	Yes
<b>23" mounting</b>	Yes
<b>Cabinet mount</b>	Yes
<b>Wall mount</b>	Yes
<b>Mix equipment with fiber product?</b>	Ideal
<b>Use as dedicated fiber frame</b>	Up to 400-fibers only. (See ODF catalog #103742AE)
<b>VAM capabilities</b>	Yes
<b>Optimum jumper storage location</b>	Can be configured with storage
<b>Vertical cable guide</b>	Ships with every panel

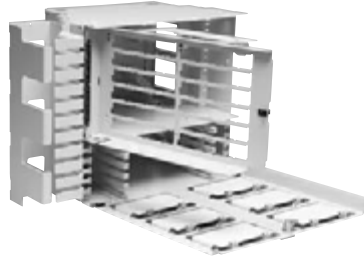
Rack Mount Panel Solutions

# FL2000 Series Fiber Optic Panel

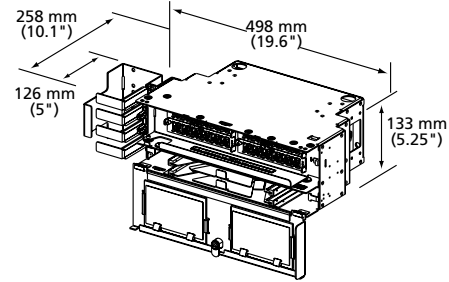
## Fiber Termination/Splice Panel with Adapters or Pigtails

### Features

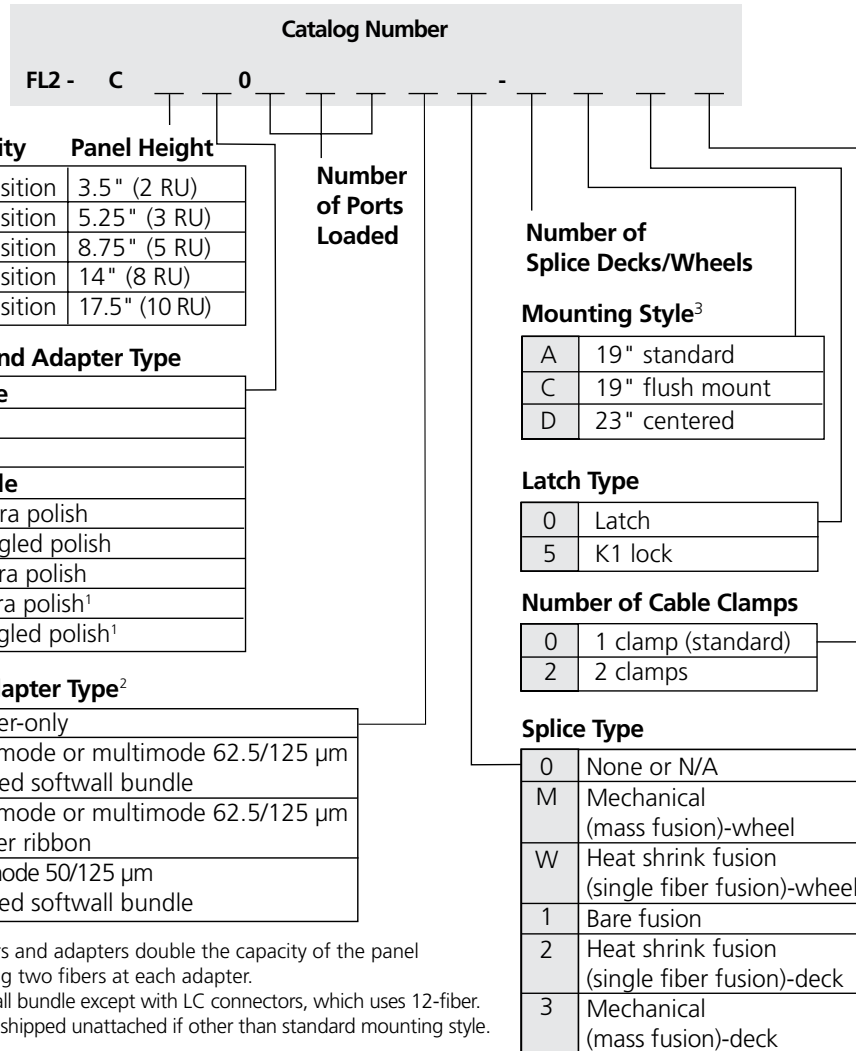
- Termination and splice panel
- VCG ships with each panel
- Uses TE's splice deck or splice wheel
- Uses FL2000 6paks with angled retainers



**72-Position Termination/Splice Panel**  
(Shown Empty)



**24-Position Termination/Splice Panel**



<sup>1</sup> LC connectors and adapters double the capacity of the panel by terminating two fibers at each adapter.  
<sup>2</sup> 6-fiber softwall bundle except with LC connectors, which uses 12-fiber.  
<sup>3</sup> Mounting kit shipped unattached if other than standard mounting style.

Other configurations are available upon request. Please contact TE Connectivity's Technical Assistance Center.

# FL2000 Series Fiber Optic Panel

## Empty Termination/Splice Chassis

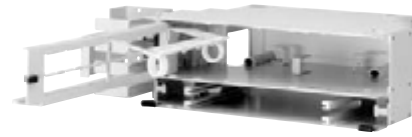
### Features

- Mounting
  - 19-inch EIA racks or cabinets, standard five-inch recess
  - Wall mounting option available
  - Other mounting kits available
- Hinged on left front side for complete access to interior of termination section
- Ability to quickly and easily configure, utilizing the 6pak assemblies (ordered separately)
- Complete line of accessories including locks for security
- Uses **TE** splice wheels or splice decks
- Ships with vertical cable guide (VCG)

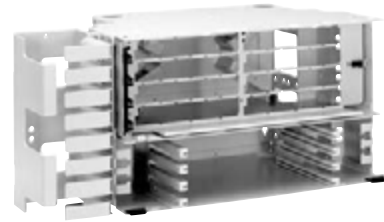
### Fiber Chassis Data

- Fiber capacity\*: 12, 24, 48, 72 & 96
- Termination
- Splice
- Pigtail storage

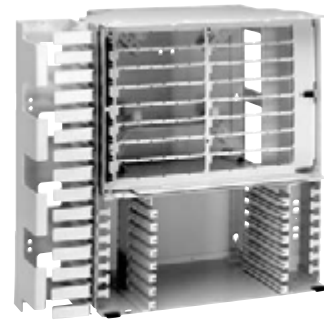
\*Panels can double capacity with LC adapters.



24-Position Termination/Splice Chassis



48-Position Termination/Splice Chassis



96-Position Termination/Splice Chassis

### Ordering Information

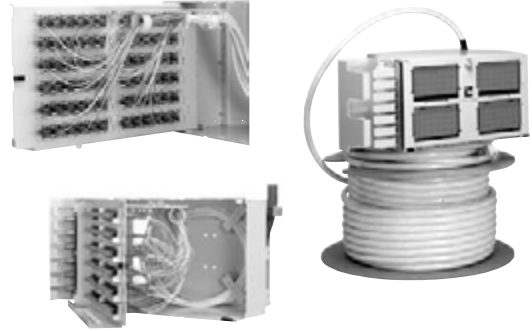
Description	Panel Height	Catalog Number
<b>Empty termination/splice chassis;</b> includes vertical cable guide (VCG)		
12-position	3.5" (2 RU)	FL2-12TS350
24-position	5.25" (3 RU)	FL2-24TS525
48-position	8.75" (5 RU)	FL2-48TS875
72-position	14" (8 RU)	FL2-72TS140
96-position	17.5" (10 RU)	FL2-96TS175
<b>Splice wheel</b> Heat shrink (single fiber fusion) Mechanical (mass fusion) Heat shrink (single fiber fusion)-24 fiber Bare fusion (24-fiber)		FST-DRS12-HS FST-DRS12-MT FST-DRS24-HS FST-DRS24-FT
<b>Splice deck</b> Heat shrink (single fiber fusion) Mechanical (mass fusion) Bare fusion		FL2-RSPLCE-HS FL2-RSPLCE-MT FL2-RSPLCE-FT

# FL2000 Series Fiber Optic Panel

Fiber Termination Panels with Multifiber Cable (Preterminated)

## Features

- Panels with preterminated multifiber cable (IFC or OSP) ship as a single unit with cable clamp installed
- Customizable panels come equipped with customer specified number of adapters, retainers, connectors, cable type and cable length
- Panels with multifiber cable attached save costly installation time



Termination Panels  
(With Multifiber Cable)

**Catalog Number**  
FL2 - 0 - 0

### Panel Type

S	Singlemode
M	Multimode

### Panel Capacity Panel Height

1	12-position	1.75" (1 RU)
2	24-position	3.5" (2 RU)
4	48-position	5.25" (3 RU)
7	72-position	8.75" (5 RU)
9	96-position	10.5" (6 RU)

### Connector and Adapter Type

Multimode	
9	SC
6	LC <sup>1</sup>
Singlemode	
2	FC ultra polish
7	SC ultra polish
J	SC angled polish
8	LC ultra polish <sup>1</sup>
B	LC angled polish <sup>1</sup>

### Cable Size

1	12
2	24
4	48
7	72
9	96
A	144 (LC connectors only with 72-position panel)

<sup>1</sup> LC connectors and adapters double the capacity of the panel by terminating two fibers at each adapter.

<sup>2</sup> Mounting kit shipped unattached, if other than standard mounting style.

### Latch Type

0	Latch
5	K1 Lock

### Cable Exit Direction

U	Up
D	Down

### Mounting Style<sup>2</sup>

A	19" standard
C	19" flush mount
D	23" centered

### Cable Length

008	8 m (25')
016	16 m (50')
023	23 m (75')
031	31 m (100')
039	39 m (125')
046	46 m (150')
061	61 m (200')
077	77 m (250')
092	92 m (300')
122	122 m (400')
153	153 m (500')

### Cable Type

Multimode	
C	IFC stranded 62.5/125 μm riser
Y	IFC stranded 50/125 μm riser
Singlemode	
A	IFC stranded riser
M	IFC ribbon riser
L	OSP armored ribbon (24-fibers and up)

Other configurations are available upon request. Please contact TE Connectivity's Technical Assistance Center.

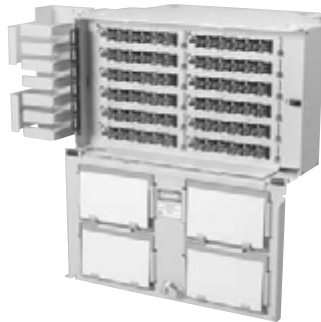


# FL2000 Series Fiber Optic Panel

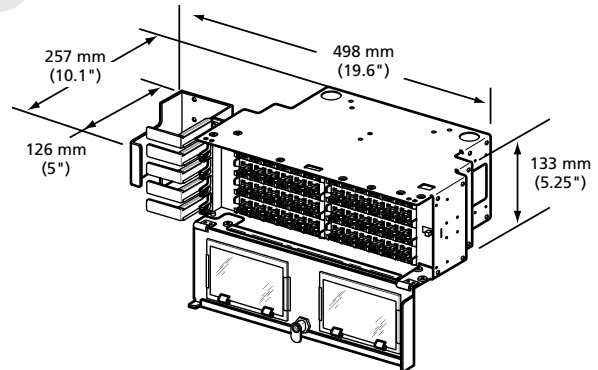
Fiber Termination Panels with Adapters or Pigtails

## Features

- Termination-only panel
- VCG ships with each panel
- Uses FL2000 6paks with angled retainers

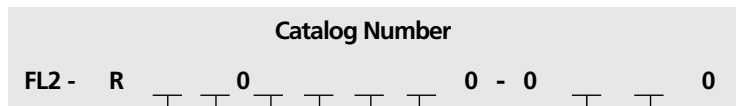


72-Position Termination Panel



48-Position Termination Panel

10/07 • 103743AE Fiber Optic Panels



Panel Capacity	Panel Height
1	12-position 1.75" (1 RU)
2	24-position 3.5" (2 RU)
4	48-position 5.25" (3 RU)
7	72-position 8.75" (5 RU)
9	96-position 10.5" (6 RU)

**Connector and Adapter Type**

Multimode	
9	SC
6	LC <sup>1</sup>
Singlemode	
7	SC ultra polish
J	SC angled polish
2	FC ultra polish
8	LC ultra polish <sup>1</sup>
B	LC angled polish <sup>1</sup>

**Number of Ports Loaded**

**Pigtail or Adapter Type<sup>2</sup>**

A	Adapter-only
P	Singlemode or multimode 62.5/125 μm stranded softwall bundle
R	Singlemode or multimode 62.5/125 μm 12-fiber ribbon
C	Multimode 50/125 μm stranded softwall bundle

**Mounting Style<sup>3</sup>**

A	19" standard
C	19" flush mount
D	23" centered

**Latch Type**

0	Latch
5	K1 lock

<sup>1</sup> LC connectors and adapters double the capacity of the panel by terminating two fibers at each adapter.  
<sup>2</sup> 6-fiber softwall bundle except with LC connectors, which uses 12-fiber.  
<sup>3</sup> Mounting kit shipped unattached, if other than standard mounting style.

Other configurations are available upon request. Please contact TE Connectivity's Technical Assistance Center.

Rack Mount Panel Solutions

# FL2000 Series Fiber Optic Panel

## Empty Termination Chassis

### Features

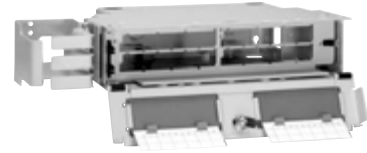
- Mounting
  - 19-inch EIA racks or cabinets, standard five-inch recess
  - Wall mounting option available
  - Other mounting kits available
- Hinged on left front side; allows full access to rear of front plate and interior of panel
- FL2000 6pak adapter plug-ins ordered separately
- Equipped with removable metal doors with Plexiglass<sup>®1</sup> windows
- Designation labels included with each panel
- Complete line of accessories including locks for security
- Ships with vertical cable guide (VCG)

### Fiber Chassis Data

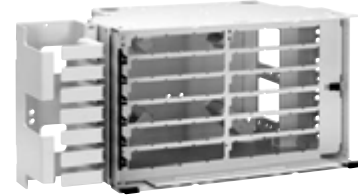
- Fiber capacity\*: 12, 24, 48, 72 and 96
- Termination
- Pigtail storage

\*Panels can double capacity with LC adapters.

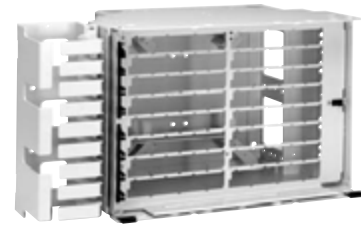
<sup>1</sup>Plexiglass is a registered trademark of Atoglas Division of Atofina Chemicals, Inc.



24-Position Termination Chassis



72-Position Termination Chassis



96-Position Termination Chassis

### Ordering Information

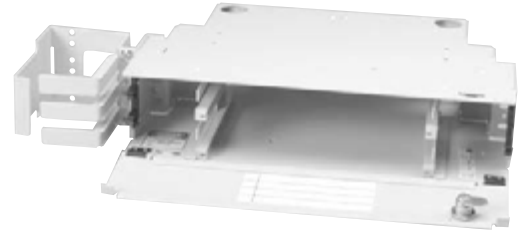
Description	Panel Height	Catalog Number
<b>Empty termination chassis</b>		
12-position	1.75" (1 RU)	FL2-12RPNL
24-position	3.5" (2 RU)	FL2-24RPNL
48-position	5.25" (3 RU)	FL2-48RPNL
72-position	8.75" (4 RU)	FL2-72RPNL
96-position	10.5" (5 RU)	FL2-96RPNL

# FL2000 Series Fiber Optic Panel

## Slack Storage Solutions

### Storage Deck Chassis

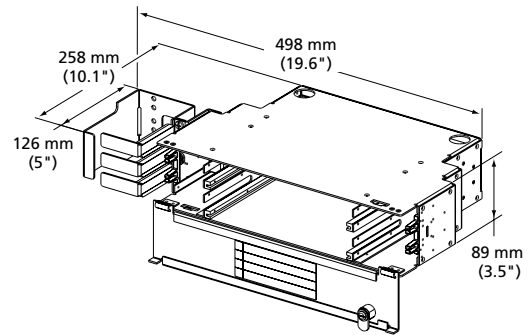
Mounts with FL2000 termination panels to provide jumper storage. May be wall, rack or cabinet mounted.



**Storage Deck Chassis**

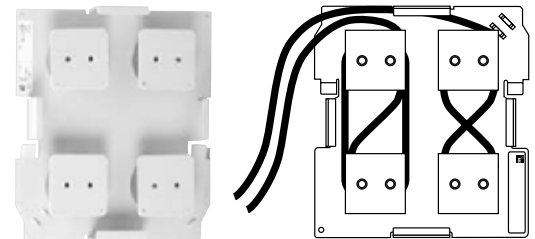
### Storage Deck

Storage Capacity (1 patch cord per deck)	
1.7 mm patch cord	35 m (115') per deck
3.0 mm patch cord	20 m (66') per deck
Storage Capacity (2 to 4 patch cords per deck)	
1.7 mm patch cord	39 m (128') per deck
3.0 mm patch cord	29 m (95') per deck



**Storage Deck Chassis (Front View)**  
FL2-2RSTORE

Ordering Information	
Description	Catalog Number
<b>Storage deck chassis</b> (storage decks ordered separately)	
2 storage deck capacity; 89 mm x 483 mm x 258 mm (3.5" x 19" x 10.2")	FL2-2RSTORE
6 storage deck capacity; 222 mm x 483 mm x 258 mm (8.75" x 19" x 10.2")	FL2-6RSTORE
<b>Storage deck</b>	FL2-TR2000



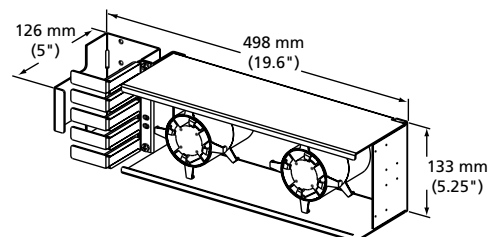
**Storage Deck (Top View)**  
FL-TR2000

### Horizontal Interbay Management Panel

Manages and stores fiber within the frame.

Storage Capacity
Stores up to 137 m (550') using oval storage method

Ordering Information	
Description	Catalog Number
<b>Horizontal interbay management panel</b>	FL2-HZSTORE



**Horizontal Interbay Management Panel**  
FL2-HZSTORE

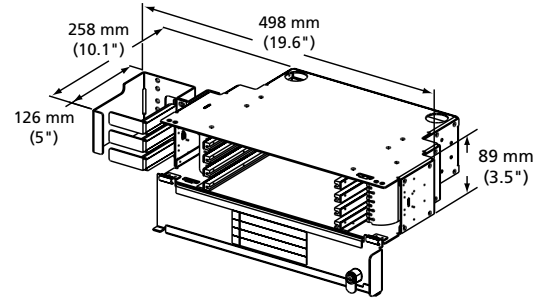
### Splice Chassis

#### Features

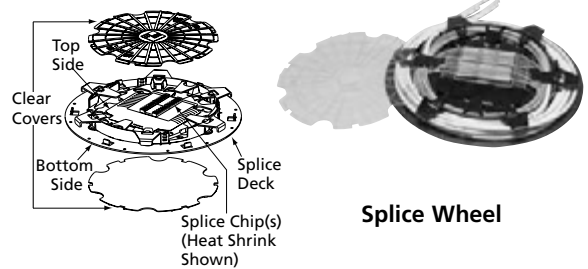
- Offers a combination of splicing protection and associated fiber/pigtail storage
- Splice chassis can be mounted in conjunction with any FL2000 termination panel or as a stand-alone splice panel
- Occupies same footprint and offers same mounting options as FL2000 termination panels
- Accepts the TE splice wheel for efficient management of fiber cable and splice protection
- Accepts the TE splice deck
- Ships with vertical cable guide (VCG)

#### Fiber Chassis Data

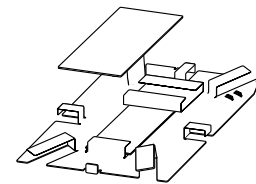
- Fiber capacity: 48, 96 & 144
- Splice
- Pigtail storage



Splice Chassis



Splice Wheel



Splice Deck

#### Ordering Information

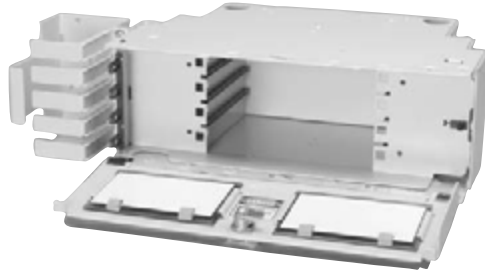
Description	Panel Height	Catalog Number
<b>Splice chassis for use with splice wheel (Only accepts splice wheel)</b> 48-fiber capacity 96-fiber capacity 144-fiber capacity	3.5" (2 RU) 7" (4 RU) 8.75" (5 RU)	FL2-48SPNL2 FL2-96SPNL2 FL2-144SPNL2
<b>Splice wheel</b> Heat shrink (single fiber fusion) Bare fusion Mechanical (mass fusion)		FST-DRS12-HS FST-DRS12-FT FST-DRS12-MT
<b>Splice chassis for use with splice deck (Also accepts splice wheel)</b> 48-fiber capacity 96-fiber capacity 144-fiber capacity	3.5" (2 RU) 7" (4 RU) 8.75" (5 RU)	FL2-48SPNL FL2-96SPNL FL2-144SPNL
<b>Splice deck</b> Heat shrink (single fiber fusion) Bare fusion Mechanical (mass fusion)		FL2-RSPLCE-HS FL2-RSPLCE-FT FL2-RSPLCE-MT
<b>Cable clamp kit (kit of 1)</b> Outer diameter 5 mm to 20 mm (0.2" to 0.8") For mounting kits and additional accessories, see pages 48-56.		FL2-ACC007



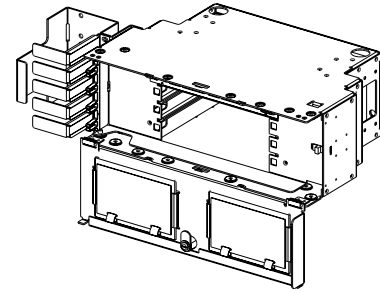
# FL2000 Series Fiber Optic Panel

## Value-Added Module (VAM) Chassis

The FL2000 VAM chassis is designed to accommodate TE VAM plug-in modules in FL2000 installations. The chassis protects and manages optical components and is purchased empty, then loaded with various plug-in modules or blank plates, all of which can be mixed and matched. The chassis can be mounted in 5-inch recess, 19- or 23-inch rack mount, frame and cabinet environments. Vertical cable guides match the vertical cable management features of existing FL2000 system. The chassis accommodates 4, 6 or 9 plug-in modules.



**VAM Chassis**  
(Shown Unloaded)



**FL2-4VAM525**

### Ordering Information

Description	Dimensions (HxWxD)	Catalog Number
<b>10.5" FL2000 VAM chassis, unloaded;</b> accommodates 9 single plug-in modules	267 mm x 483 mm x 258 mm (10.5" x 19" x 10.1")	FL2-9VAM105
<b>7" FL2000 VAM chassis, unloaded;</b> accommodates 6 single plug-in modules	152 mm x 483 mm x 258 mm (7" x 19" x 10.1")	FL2-6VAM700
<b>5.25" FL2000 VAM chassis, unloaded;</b> accommodates 4 single plug-in modules	133 mm x 483 mm x 258 mm (5.25" x 19" x 10.1")	FL2-4VAM525

**Note: The FL2000 VAM system is designed to accept only front access modules;** i.e., all input and output adapters, pigtails and/or bare fibers must be located on the front of the plug-in modules.

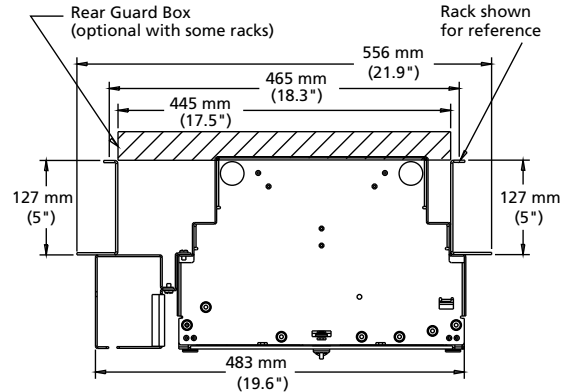
### Value-Added Module (VAM) System

TE offers an expansive line of monitor, splitter, WDM and CWDM VAM plug-in modules designed to meet all application needs. Please reference the **Value-Added Module (VAM) System Catalog #101663AE** for details at [www.te.com](http://www.te.com) or contact TE Customer Service.

### Standard Mount Kit

#### Features

- Panels shipped with
  - Left-side "L" bracket
  - Left-side 2.5" wide vertical cable guide (VCG)
- Other mounting options are available upon request. Please contact TE's Technical Assistance Center.

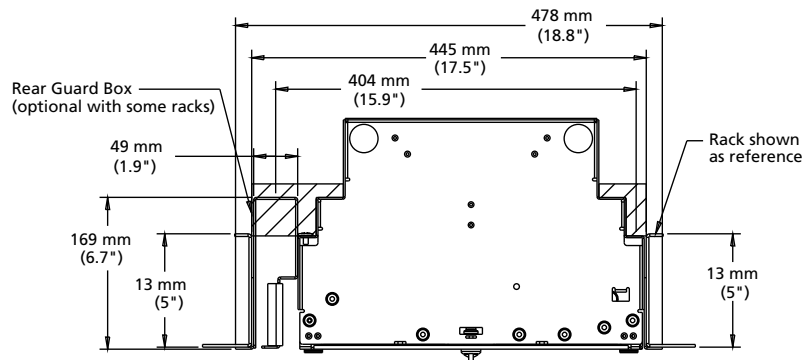


Standard Mount Kit

#### Ordering Information

Description	Panel Height	Catalog Number
<b>Standard mount kit</b> Kit includes: VCG with integrated mounting holes	1.75" (1 RU) 3.5" (2 RU) 5.25" (3 RU) 7" (4 RU) 8.75" (5 RU) 10.5" (6 RU) 14" (8 RU) 17.5" (10 RU)	FL2-VCGKIT0175 FL2-VCGKIT0350 FL2-VCGKIT0525 FL2-VCGKIT0700 FL2-VCGKIT0875 FL2-VCGKIT1050 FL2-VCGKIT1400 FL2-VCGKIT1750

### Flush Mount Kit



Flush Mount Kit

#### Ordering Information

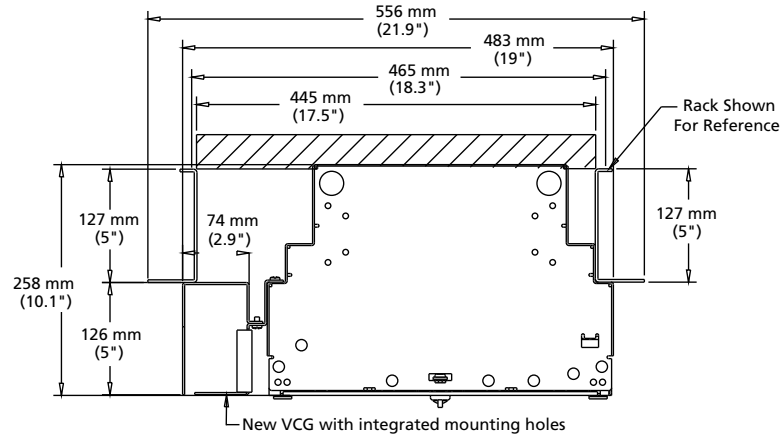
Description	Panel Height	Catalog Number
<b>Flush mount kit;</b> allows 1", 2" or 4" recess mounting Kit includes: VCG and mounting flanges	1.75" (1 RU) 3.5" (2 RU) 5.25" (3 RU) 7" (4 RU) 8.75" (5 RU) 10.5" (6 RU) 14" (8 RU) 17.5" (10 RU)	FL2-FLMT0175 FL2-FLMT0350 FL2-FLMT0525 FL2-FLMT0700 FL2-FLMT0875 FL2-FLMT1050 FL2-FLMT1400 FL2-FLMT1750

# FL2000 Series Fiber Optic Panel

## Panel Accessories – 19-Inch Rack Mount Installation Kits

### Maximum Mount Kit

Allows entire panel to be contained within frame footprint.



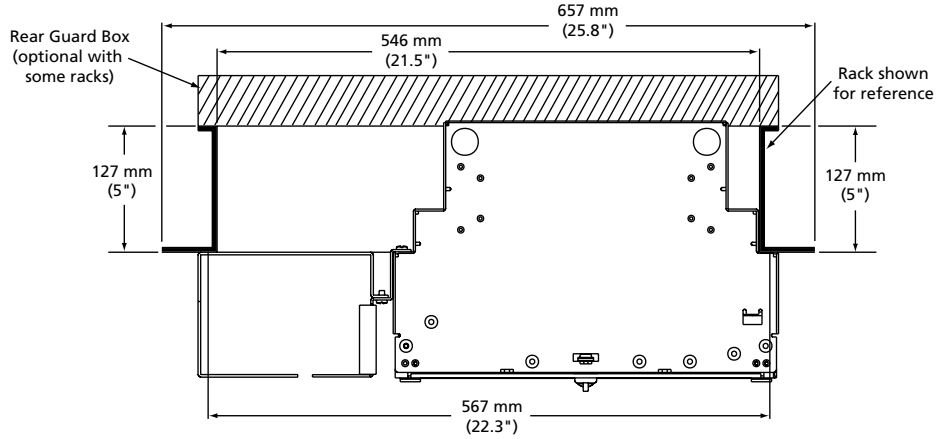
**Maximum Mount Kit**

#### Ordering Information

Description	Panel Height	Catalog Number
<b>Maximum mount kit</b> Kit includes: VCG with integrated mounting holes	1.75" (1 RU)	FL2-19MAX0175
	3.5" (2 RU)	FL2-19MAX0350
	5.25" (3 RU)	FL2-19MAX0525
	7" (4 RU)	FL2-19MAX0700
	8.75" (5 RU)	FL2-19MAX0875
	10.5" (6 RU)	FL2-19MAX1050
	14" (8 RU)	FL2-19MAX1400
	17.5" (10 RU)	FL2-19MAX1750

### Wide VCG Mount Kit

Allows for increased fiber capacity within the VCG.



Wide VCG Mount Kit

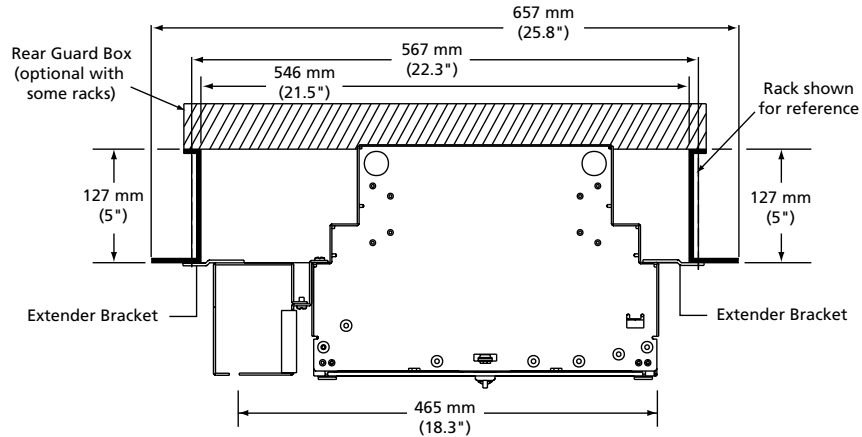
#### Ordering Information

Description	Panel Height	Catalog Number
<b>Wide VCG mount kit</b> Kit includes: VCG with integrated mounting holes	1.75" (1 RU)	FL2-23VCG0175
	3.5" (2 RU)	FL2-23VCG0350
	5.25" (3 RU)	FL2-23VCG0525
	7" (4 RU)	FL2-23VCG0700
	8.75" (5 RU)	FL2-23VCG0875
	10.5" (6 RU)	FL2-23VCG1050
	14" (8 RU)	FL2-23VCG1400
	17.5" (10 RU)	FL2-23VCG1750



### Centered Mount Kit

Allows for standard mounting in a 23-inch rack.



Centered Mount Kit

#### Ordering Information

Description	Panel Height	Catalog Number
<b>Centered mount kit (with extender brackets)</b> This kit can be used with flush mount brackets (see page 47) to achieve 23" flush mounting, as well as 1", 2" or 4" recess mounting	1.75" (1 RU)	FL2-EB0175P
	3.5" (2 RU)	FL2-EB0350P
	5.25" (3 RU)	FL2-EB0525P
	7" (4 RU)	FL2-EB0700P
	8.75" (5 RU)	FL2-EB0875P
	10.5" (6 RU)	FL2-EB1050P
	14" (8 RU)	FL2-EB1400P
	17.5" (10 RU)	FL2-EB1750P

### 6pak Adapter — Adapters and Pigtails

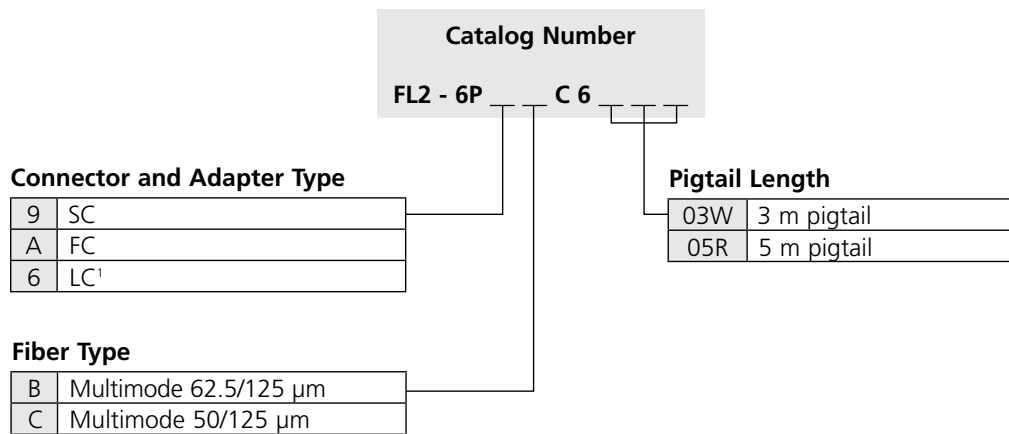
#### Features

- Can be purchased and installed as growth necessitates
- Available with preterminated three- or five-meter pigtails
- Pigtails consist of a single outer jacket containing six color-coded 900 μm fibers
- One end of pigtail terminated with chosen connector style and installed into the 6pak adapters
- Saves installation time



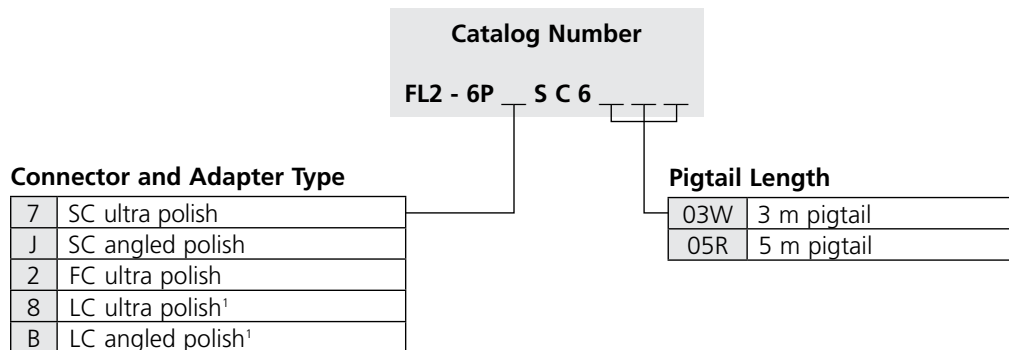
**6pak Adapter**  
(Shown with SC Adapters and Pigtails)

### Stranded Multimode Pigtails and Adapters



<sup>1</sup> LC 6paks are loaded with 12-fiber pigtails

### Stranded Singlemode Pigtails and Adapters



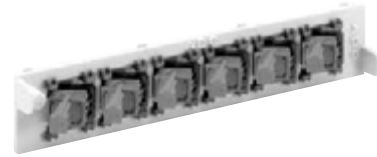
<sup>1</sup> LC 6paks are loaded with 12-fiber pigtails

Other configurations are available upon request. Please contact TE Connectivity's Technical Assistance Center.

### 6pak Adapter - Adapters only

#### Features

- Completely interchangeable between FL2000 panel, FL1000 rack and wall box products
- Can be ordered with all standard types of adapters and connectors
- Feature TE's removable angled retainers which provide superior fiber management
- No tools required to install into FL2000 and FL1000 products
- Can be ordered with adapters only or for quick and easy installation, with preterminated three- or five-meter pigtails



**6pak Adapter**  
(Shown with Singlemode Simplex Adapters)

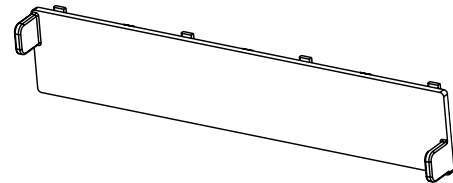


**6pak Adapter**  
(Shown with Multimode Simplex Adapters)

#### Ordering Information

Description	Catalog Number
<b>Multimode</b>	
SC	FL2-6PMMSC
FC	FL2-6PMMFC
LC*	FL2-6PMMLC
<b>Singlemode</b>	
SC ultra polish	FL2-6PSMSC
SC angled polish	FL2-6PSMASC
FC ultra polish	FL2-6PSMFC
LC ultra polish*	FL2-6PSMLC
LC angled polish*	FL2-6PSMALC
<b>6pak blank plug-in</b>	FL2-6PBLNK

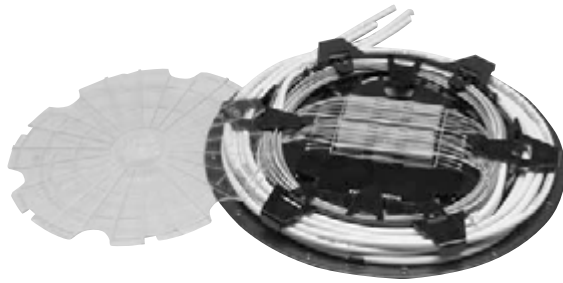
\* LC 6pak adapter accommodates 12 LC connectors.



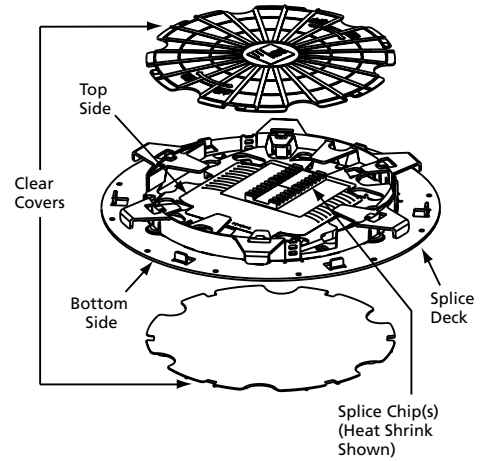
**6pak Adapter Blank**

Other configurations are available upon request. Please contact TE Connectivity's Technical Assistance Center.

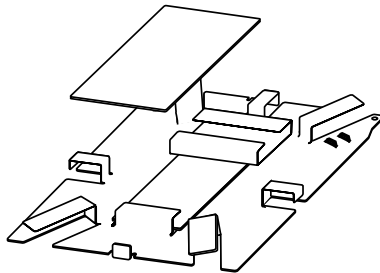
### Splice Wheel and Splice Deck



**Splice Wheel**



**Splice Wheel**



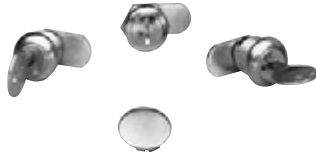
**Splice Deck**

#### Ordering Information

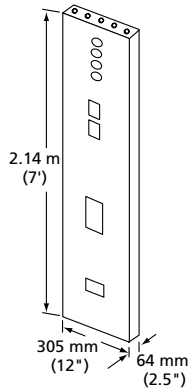
Description	Catalog Number
<b>Splice wheel</b> Heat shrink (single fiber fusion) Bare fusion Mechanical (mass fusion)	FST-DRS12-HS FST-DRS12-FT FST-DRS12-MT*
<b>Splice deck</b> Heat shrink (single fiber fusion) Bare fusion Mechanical (mass fusion)	FL2-RSPLCE-HS FL2-RSPLCE-FT FL2-RSPLCE-MT*

\*For use with ribbon fiber

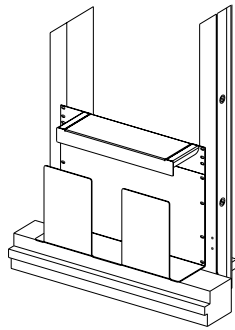
### Miscellaneous



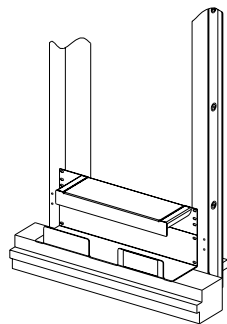
**Locks**



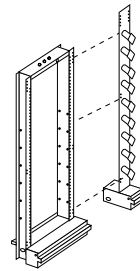
**End Guard**  
UEGP-7PW



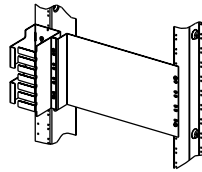
**356 mm (14")  
Lower Cable Trough**  
FL2-ACC011



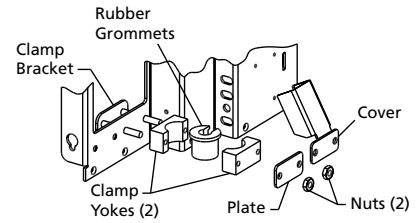
**178 mm (7")  
Lower Cable Trough**  
FL2-ACC012



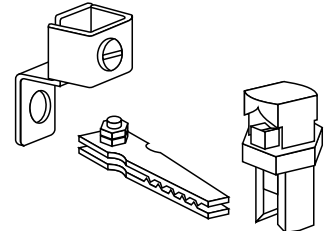
**Interbay Management Panel**  
E-501-L139



**Blank VCG**  
FL2-BLNKFULL0875



**Cable Clamp Kit**



**Bonding/Grounding Kit**

### Ordering Information

Description	Catalog Number
<b>Lock</b> Key lock #1; includes lock and key #1 Key lock #2; includes lock and key #2	IPA-K1 IPA-K2
<b>End guard</b> (H x W x D) 2.14 m x 64 mm x 305 mm (7' x 2.5" x 12"); right or left side	UEGP-7PW
<b>Interbay management panel</b> 2.14 m x 127 mm (7' x 5") mounts to a standard (19" or 23" rack)	E-501-L139
<b>Lower cable trough</b> (H x W x D) 356 mm x 483 mm x 127 mm (14" x 19" x 5") 178 mm x 483 mm x 127 mm (7" x 19" x 5")	FL2-ACC011 FL2-ACC012
<b>Bonding grounding kit:</b> kit of 1	FL2-ACC006
<b>Cable clamp kit:</b> kit of 1 Outer diameter 5 mm to 20 mm (0.2" to 0.8")	FL2-ACC007
<b>Cable clamp kit</b> for use with 12-fiber termination or termination/splice panels	FL2-ACC033
<b>Blank VCG</b> to add cable management to frame not fully loaded 3.5" 8.75" 10.5"	FL2-BLNKVCG0350 FL2-BLNKVCG0875 FL2-BLNKVCG1050
<b>Blank VCG with blank panel</b> for aesthetics 3.5" 5.25" 7" 8.75" 10.5"	FL2-BLNKFULL0350 FL2-BLNKFULL0525 FL2-BLNKFULL0700 FL2-BLNKFULL0875 FL2-BLNKFULL1050



# FL2000 Series Fiber Optic Panel

Panel Accessories

## Ordering Information for Patch Cords and Attenuators

TE offers a comprehensive line of cable assembly and accessory products including patch cords, IFC assemblies, attenuators, FasTerm® connectors and adapters to meet the demanding needs of today's network. Please refer to the **Fiber Cable Assemblies Catalog #102880AE** at [www.te.com](http://www.te.com) for more detailed information. For your convenience, ordering information for patch cords and attenuators can also be found on pages 80-85.



# FL1000 Series Fiber Optic Panel

## Introduction

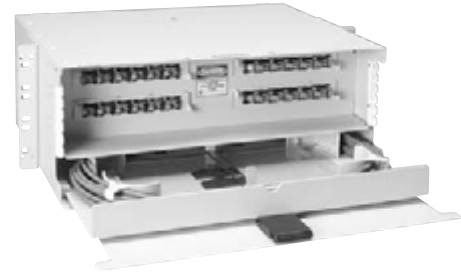
Limited floor space and smaller fiber counts often dictate that multiple pieces of communications apparatus share common equipment racks. The FL1000 panel is a more economical solution designed to be mounted within standard 19- or 23-inch EIA equipment racks. Standard flush-mount capability is also a key feature.

The left/right orientation of the individual angled adapters and retainers allows the easy exit of the jumpers from the panel. A removable rear door panel allows efficient access to the interior of the panel for the routing and termination of fiber cables.

The FL1000 family of products use TE's modular 6pak adapters, which are durable and easy to install. They can be ordered through a single catalog number and are shipped in a single package.



**144-Position Termination/Splice Panel**



**24-Position Termination/Splice Panel**

### Product Overview

<b>Recommended Applications</b>	An economical solution offering basic cable management and protection. Ideal for small fiber counts.
<b>Description</b>	Termination, termination/splice
<b>Number of fibers, future growth potential</b>	12, 24, 48, 144
<b>Flexibility/ability to grow</b>	Limited
<b>Interconnect</b>	Yes
<b>Cross-connect</b>	Yes
<b>Accommodates on-frame splicing</b>	Yes. Built-in
<b>Accommodates off-frame splicing</b>	Yes. IFC cable and assembly available
<b>Rear access</b>	Required
<b>Customer premises application</b>	Ideal
<b>19" mounting</b>	Yes
<b>23" mounting</b>	Yes
<b>Cabinet mount</b>	Yes
<b>Wall mount</b>	No
<b>Mix equipment with fiber product?</b>	Ideal
<b>Use as dedicated fiber frame</b>	No. (See ODF catalog #103742AE)
<b>VAM capabilities</b>	No
<b>Optimum jumper storage location</b>	No

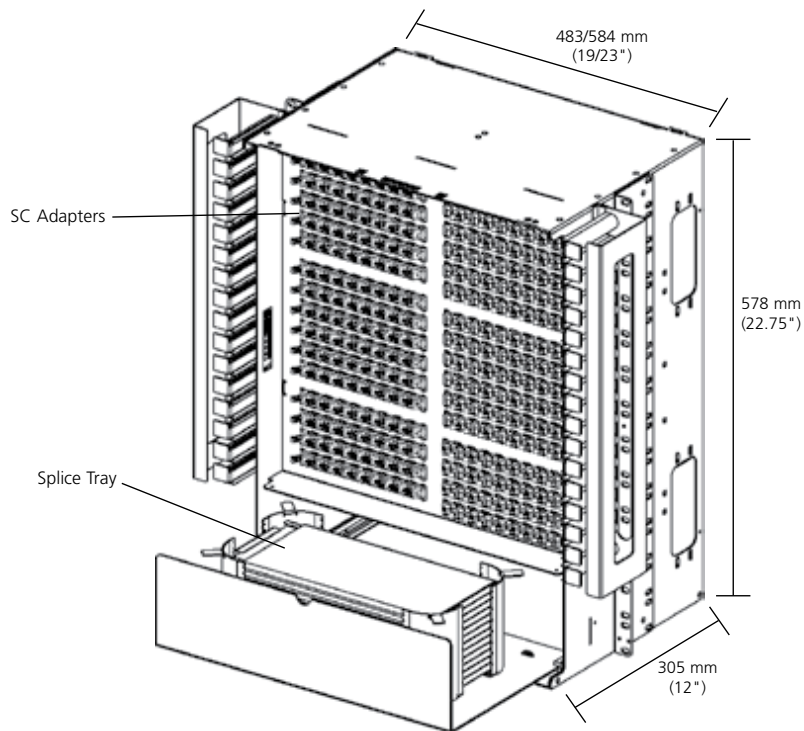


# FL1000 Series Fiber Optic Panel

## High-Density Fiber Termination/Splice Panels with Pigtailed

### Features

- Essential cable management in an economical solution
- 19- or 23-inch rack mount
- Flush mountable
- Angled left right adapters ease fiber bends and allow individual fiber access
- Removable rear door panel allows efficient access to interior for routing and terminating fibers
- Putty white



288-Position Termination/Splice Panel

### Ordering Information

Description	Catalog Number
<b>288-position termination/splice panels</b>	
Loaded with SC/UPC stranded pigtailed (12-fiber softwall bundle) heat shrink splice trays, cable clamp; putty white	FL1-288RP07-28820
Loaded with SC/APC stranded pigtailed (12-fiber softwall bundle) heat shrink splice trays, cable clamp; putty white	FL1-288RP0J-28820
Loaded with FC/UPC stranded pigtailed (12-fiber softwall bundle) heat shrink splice trays, cable clamp; putty white	FL1-288RP02-28820
Loaded with multimode SC stranded pigtailed (12-fiber softwall bundle 62.5/125 μm) heat shrink splice trays, cable clamp; putty white	FL1-288RP09-28820

10/07 • 103743AE Fiber Optic Panels

Rack Mount Panel Solutions



# FL1000 Series Fiber Optic Panel

## Fiber Termination/Splice Panels with Adapters or Pigtails

### Features

- Basic cable management in an economical solution
- Utilizes TE's angled retainers which ease fiber bend and allow for individual fiber access
- 19- or 23-inch rack mount
- Flush mountable
- Putty white



24-Position Termination/Splice Panel

### Catalog Number

FL1- A B C D E N - 0

#### Panel Type

R	24-position termination/splice (3 RU)
3	48-position termination/splice (5 RU)
6	144-position termination/splice (13 RU)

#### 6pak Adapters and Pigtails

3	Adapters with pigtails
4	Adapter-only
6	Singlemode or multimode 62.5/125 μm 6-fiber stranded softwall bundle (12-fiber for LC)
9	Singlemode or multimode 62.5/125 μm 12-fiber ribbon
I	Multimode 50/125 μm stranded softwall bundle

#### Accessories

(Enter the desired quantity 0–9 above the corresponding accessory.)

Cable clamp
Bonding/grounding kit
Radius limiters (set of 2)

#### 6pak Adapter/Connector Type

(Reference placement of 6paks on page 63)

Multimode	
N	None/NA
9	SC
6	LC <sup>1</sup>
Singlemode	
N	None/NA
7	SC ultra polish
J	SC angled polish
2	FC ultra polish
8	LC ultra polish <sup>1</sup>
Z	LC angled polish <sup>1</sup>

#### Splice Tray with Chip

1	Bare fusion
2	Heat shrink (single fiber fusion)
3	Mechanical (mass fusion)*
N	None

\*For use with ribbon fiber

<sup>1</sup>LC connectors and adapters double the capacity of the panel by terminating two fibers at each adapter.

Other configurations are available upon request. Please contact TE Connectivity's Technical Assistance Center.



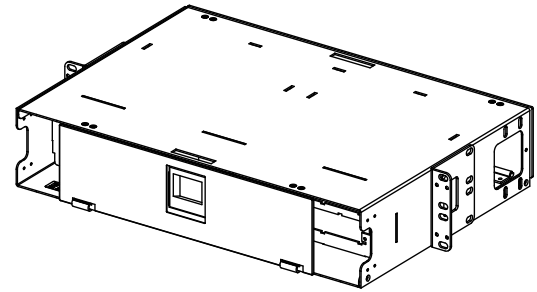
# FL1000 Series Fiber Optic Panel

## Fiber Termination Panels with Adapters or Pigtails

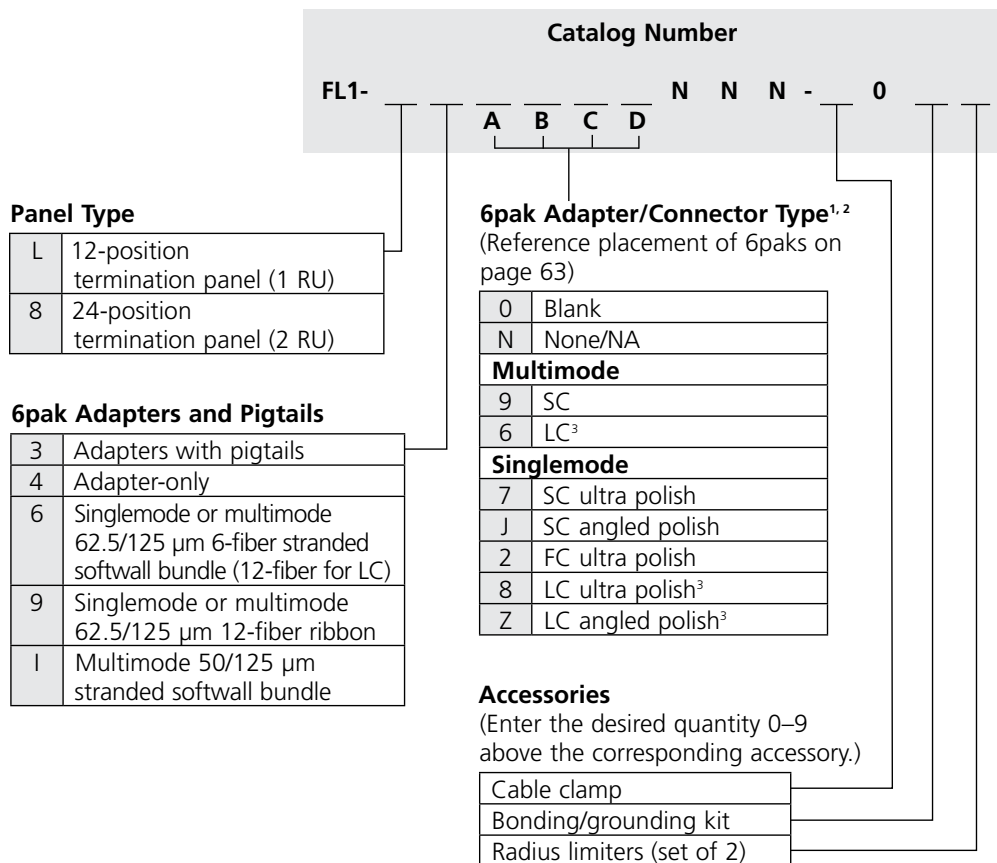
10/07 • 103743AE Fiber Optic Panels

### Features

- Basic cable management in an economical solution
- Utilizes TE's angled retainers which ease fiber bend and allow for individual fiber access
- 19- or 23-inch rack mount
- Flush mountable
- Putty white



24-Position Termination Panel



<sup>1</sup> For a fully loaded 12-position panel, fill in spaces A & B with 6pak adapter/connector type. Populate the C & D fields with "N".

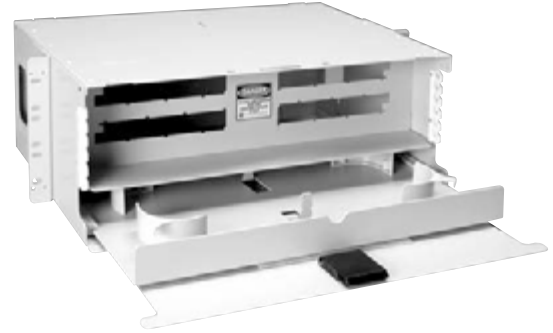
<sup>2</sup> For a fully loaded 24-position panel, fill in spaces A, B, C, D with 6pak adapter/connector type.

<sup>3</sup> LC connectors and adapters double the capacity of the panel by terminating two fibers at each adapter.

Other configurations are available upon request. Please contact TE Connectivity's Technical Assistance Center.

### Features

- Basic cable management in an economical solution
- Utilizes TE's angled retainers which ease fiber bend and allow for individual fiber access
- 19- or 23-inch rack mount
- Flush mountable
- Putty white



**24-Position Empty Termination/Splice Chassis (FL1-R)**

### Empty Termination/Splice Chassis

#### Ordering Information

Description	Panel Height	Catalog Number
<b>Empty termination/splice chassis<sup>1</sup></b>		
24-position	5.25" (3 RU)	FL1-R
48-position	8.75" (5 RU)	FL1-3
144-position	22.75" (13 RU)	FL1-6

<sup>1</sup>LC connectors and adapters double the capacity of the panel by terminating two fibers at each adapter.

### Empty Termination Chassis

#### Ordering Information

Description	Panel Height	Catalog Number
<b>Empty termination chassis<sup>1</sup></b>		
12-position	1.75" (1 RU)	FL1-L
24-position	3.50" (2 RU)	FL1-8

<sup>1</sup>LC connectors and adapters double the capacity of the panel by terminating two fibers at each adapter.



# FL1000 Series Fiber Optic Panel

Panel Accessories

## 6pak Adapter Placement

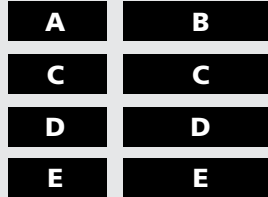
**12 Rack Mount  
Front View**



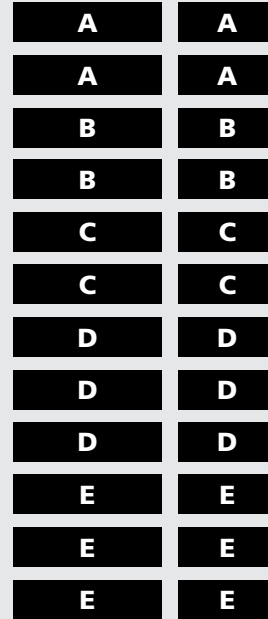
**24 Rack Mount  
Front View**



**48 Rack Mount  
Front View**



**144 Rack Mount  
Front View**



Fiber Optic Panels

10/07 • 103743AE

Rack Mount Panel Solutions

### 6pak Adapter — Adapters and Pigtails

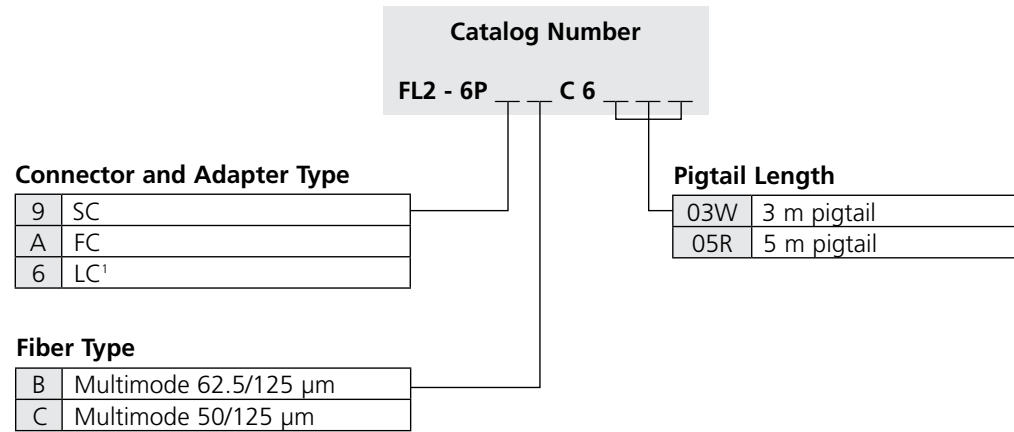
#### Features

- Can be purchased and installed as growth necessitates
- Available with preterminated three- or five-meter pigtails
- Pigtails consist of a single outer jacket containing six color-coded 900 µm fibers
- One end of pigtail terminated with chosen connector style and installed into the 6pak adapter
- Saves installation time



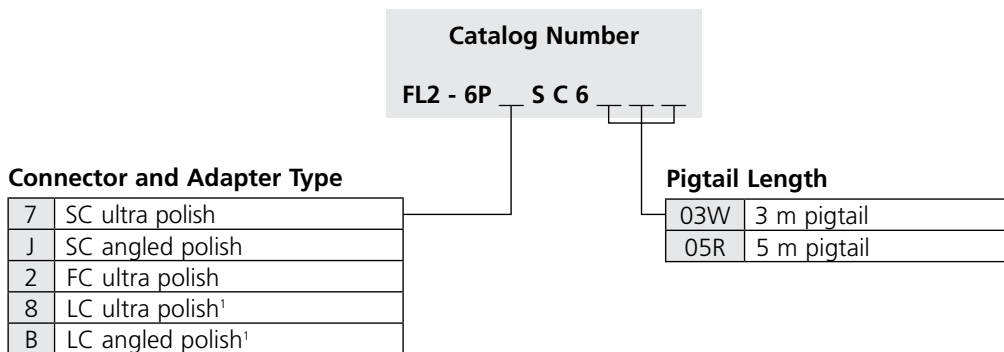
**6pak Adapter**  
(Shown with SC Adapters and Pigtails)

### Stranded Multimode Pigtails and Adapters



<sup>1</sup> LC 6paks are loaded with 12-fiber pigtails

### Stranded Singlemode Pigtails and Adapters



<sup>1</sup> LC 6paks are loaded with 12-fiber pigtails

Other configurations are available upon request. Please contact TE Connectivity's Technical Assistance Center.

### Fanning Panel

Designed to route optical cables left and right from the front of the FOT to the FL1000 6paks.



**Fanning Panel**  
FL1-FPL

#### Ordering Information

Description	Catalog Number
Fanning panel	FL1-FPL

### 6pak Adapter – Adapter Only

Utilizes angled retainer clip for individual fiber access.



**6pak Adapter-Only**

#### Ordering Information

Description	Catalog Number
<b>Multimode</b>	
SC	FL2-6PMMSC
FC	FL2-6PMMFC
LC*	FL2-6PMMLC
<b>Singlemode</b>	
SC ultra polish	FL2-6PSMSC
SC angled polish	FL2-6PSMASC
FC ultra polish	FL2-6PSMFC
LC ultra polish*	FL2-6PSMLC
LC angled polish*	FL2-6PSMALC

\*LC 6pak adapters accommodate 12 LC connectors.

### Splice Tray

For use in FL1000 termination/splice panels.

#### Ordering Information

Description	Catalog Number
<b>Standard splice tray</b>	
Bare fusion	FST-FT
Heat shrink (single fiber fusion)	FST-HS
Mechanical (mass fusion)	FST-MT

### Cable Clamp Kit and Bonding Grounding Kit

#### Ordering Information

Description	Catalog Number
Cable clamp	FL1-ACC011
Bonding grounding kit	FL1-ACC004

### Radius Limiter

Protects fiber as it enters and exits the panel.

#### Ordering Information

Description	Catalog Number
Radius limiters; set of 2 for use with rack mount panels	FL1-ACC002



# FL1000 Series Fiber Optic Panel

Panel Accessories

## Ordering Information for Patch Cords and Attenuators

TE offers a comprehensive line of cable assembly and accessory products including patch cords, IFC assemblies, attenuators, FasTerm® connectors and adapters to meet the demanding needs of today's network. Please refer to the **Fiber Cable Assemblies Catalog #102880AE** at [www.te.com](http://www.te.com) for more detailed information. For your convenience, ordering information for patch cords and attenuators can also be found on pages 80-88 .



# Wall Mount Panel Solutions



## FL1000 Series Fiber Optic Wall Box

Introduction .....	68
Termination/Splice Wall Boxes (One Door) .....	69
Termination/Splice Wall Boxes (Two Door) .....	71
Termination Wall Box (One or Two Door) .....	74
Empty Chassis Wall Box (One or Two Door) .....	75
Accessories .....	77



TE's FL1000 customer premises fiber termination products include a variety of one and two door wall mount panels. These products are designed specifically to act as part of the fiber distribution system as the demarcation point for the service provider at the customers location.

Recent improvements to labeling grommets, door latches and ribbon pigtail routing reinforce the value these products bring to the physical layer of any network with higher quality and reliability, greater operational efficiencies and network simplification.

### Product Overview

<b>Recommended Applications</b>	Ideal for small to medium fiber counts within communication closets or demarcation points
<b>Description</b>	One or two door wall box solution offering excellent fiber protection and technician-friendly cable routing. Termination, termination/splice or splice-only boxes available
<b>Number of fibers, future growth potential</b>	12, 24, 48, 72
<b>Flexibility/ability to grow</b>	Modular growth design
<b>Demarcation</b>	Yes
<b>Accommodates in box splicing</b>	Yes. Built-in
<b>Accommodates out of box splicing</b>	Yes. IFC cable and assembly available
<b>All-front-access</b>	Yes
<b>Customer premises application</b>	Ideal
<b>Wall mount</b>	Yes
<b>VAM capabilities</b>	No
<b>Optimum jumper storage location</b>	Slack storage built-in

# FL1000 Series Fiber Optic Wall Box

Wall Mount Boxes (One Door)

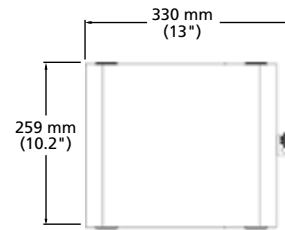
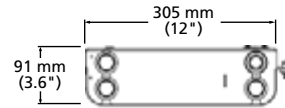
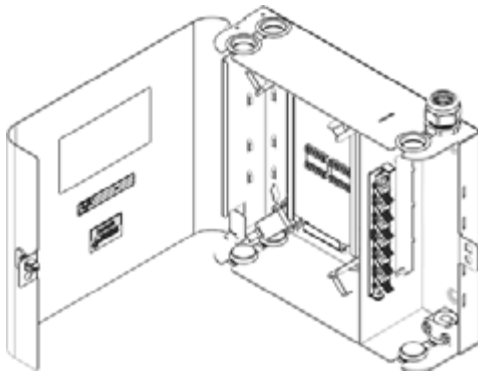
## Features

- Numerous cable tie points within the boxes
- Ability to accept locks
- Acceptance of cable clamps at each corner
- Grounding screws, mounting screws and dust caps are included with each panel. More accessories are available on page 78

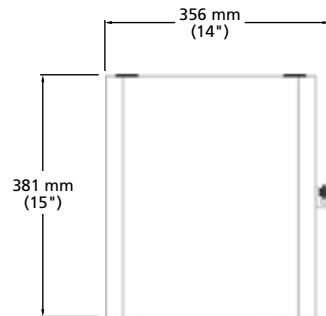
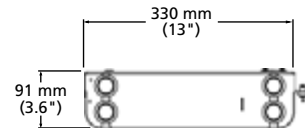
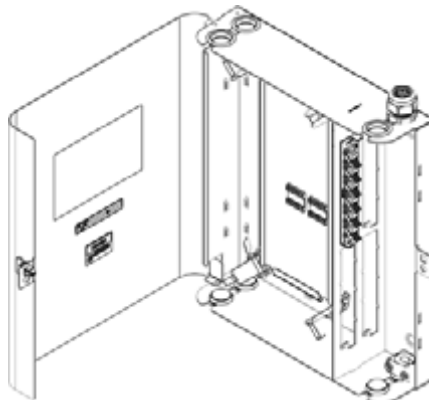


**Wall Box**  
(One Door)

## 12-Position Termination/Splice Wall Box



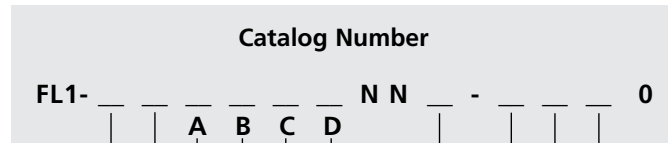
## 24-Position Termination/Splice Wall Box



See ordering information on following page.

### How to order

1. Select wall box type
2. Select 6pak adapters (with or without fiber)
3. Select 6pak adapter/connector type (choose placement in the wall box)
4. Select splice tray with chip
5. Select quantity of cable clamps (0–9)
6. Select quantity of compression fittings (0–9)
7. Select quantity of bonding grounding kits (0–9)



### Wall Box Type

A	12-position termination/splice
B	24-position termination/splice
C	48-position splice-only

### 6pak Adapters

3	Adapters with pigtails
4	Adapter-only
6	Singlemode or multimode 62.5/125 μm 6-fiber stranded softwall bundle (12-fiber for LC)
9	Singlemode or multimode 62.5/125 μm 12-fiber ribbon
I	Multimode 50/125 μm stranded softwall bundle

### 6pak Adapter/Connector Type<sup>1, 2</sup>

Multimode	
N	None/NA
9	SC
6	LC <sup>3</sup>
Singlemode	
N	None/NA
7	SC ultra polish
J	SC angled polish
2	FC ultra polish
8	LC ultra polish <sup>3</sup>
Z	LC angled polish <sup>3</sup>

### Accessories

(Enter the desired quantity 0–9 above the corresponding accessory.)

Cable clamp
Compression fittings
Bonding grounding kit

### Splice Tray with Chip

1	Bare fusion
2	Heat shrink (single fiber fusion)
3	Mechanical (mass fusion)
N	None

<sup>1</sup> For a fully loaded 12-position wall box, fill in spaces A & B with 6pak adapter/connector type. Populate fields C & D with "N".

<sup>2</sup> For a fully loaded 24-position wall box, fill in spaces A, B, C & D with 6pak adapter/connector type.

<sup>3</sup> LC connectors and adapters double the capacity of the panel by terminating two fibers at each adapter.

\*For FTTX wall box applications, please refer to the **OmniReach™ FTTX Solutions for Multi-Dwelling Unit Applications Catalog #102761AE**.

Other configurations are available upon request. Please contact TE Connectivity's Technical Assistance Center.

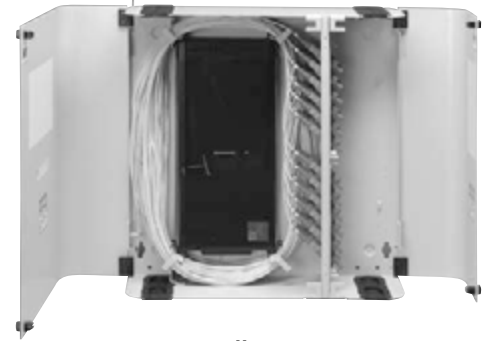


# FL1000 Series Fiber Optic Wall Box

Wall Mount Boxes (Two Door)

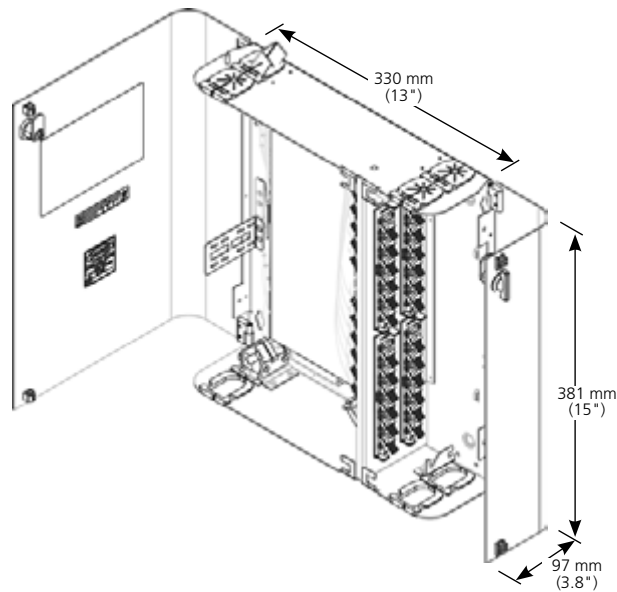
## Features

- Uses 6pak adapters with angled retainers
- Multiple, configurable locking options that allow users and service providers separate access for security
- Acceptance of strength member tie-off hardware
- Acceptance of cable clamps at each corner
- Grounding screws, mounting screws and dust caps are included with each panel. Additional accessories are available on page 78.



Wall Box  
(Two Door)

## 24-Position Termination/Splice Wall Box



10/07 • 103743AE Fiber Optic Panels

Wall Mount Panel Solutions

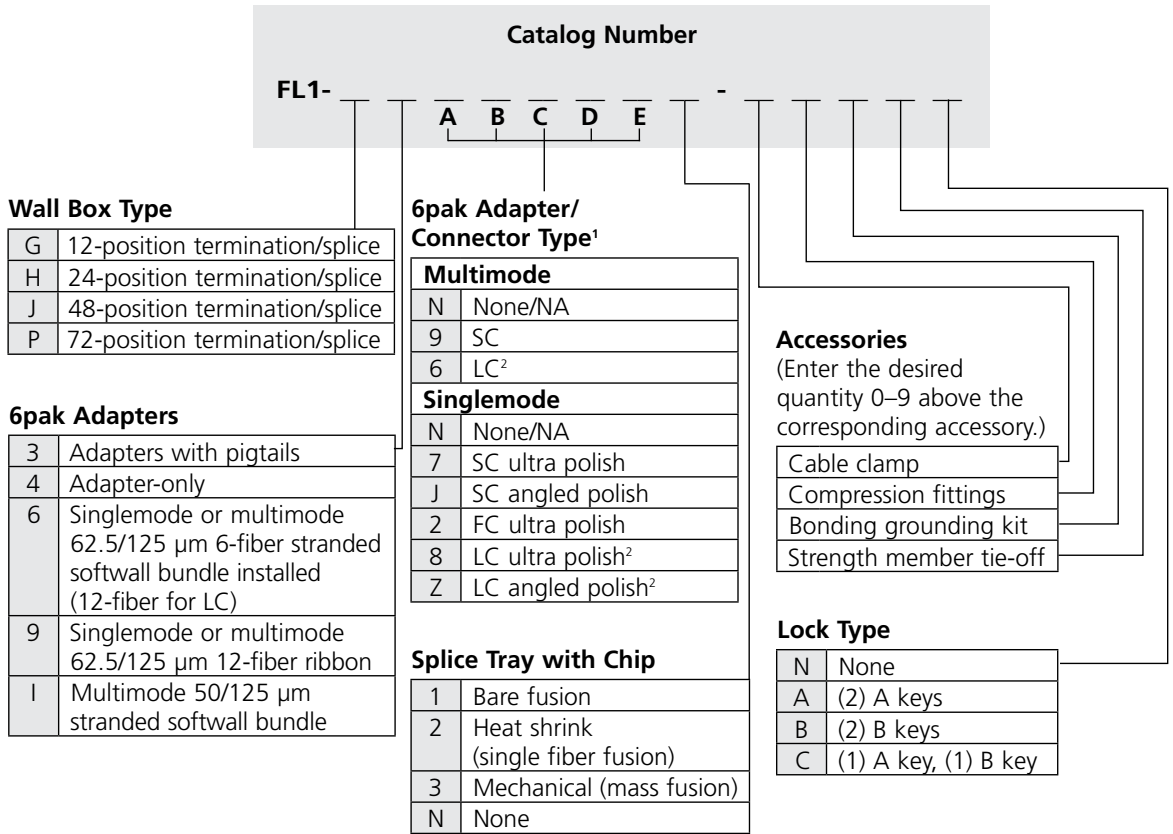
See ordering information on following page.

# FL1000 Series Fiber Optic Wall Box

## Wall Mount Boxes (Two Door)

### How to order:

1. Select wall box type
2. Select 6pak adapters (with or without fiber)
3. Select 6pak adapter/connector type (choose placement in the wall mount box)
4. Select splice tray with chip
5. Select quantity of cable clamps (0–9)
6. Select quantity of compression fittings (0–9)
7. Select quantity of bonding grounding kits (0–9)
8. Select quantity of strength member tie-off kits (each wall box accepts 2, maximum) (0–9)
9. Select lock type



<sup>1</sup> Use the guides on the next page for placement of 6paks. Place the desired connector or adapter type above the corresponding location designation of A, B, C, D or E. The diagram on the following page illustrates the location of each 6pak within the bulkhead.

<sup>2</sup> LC connectors and adapters double the capacity of the panel by terminating two fibers at each adapter.

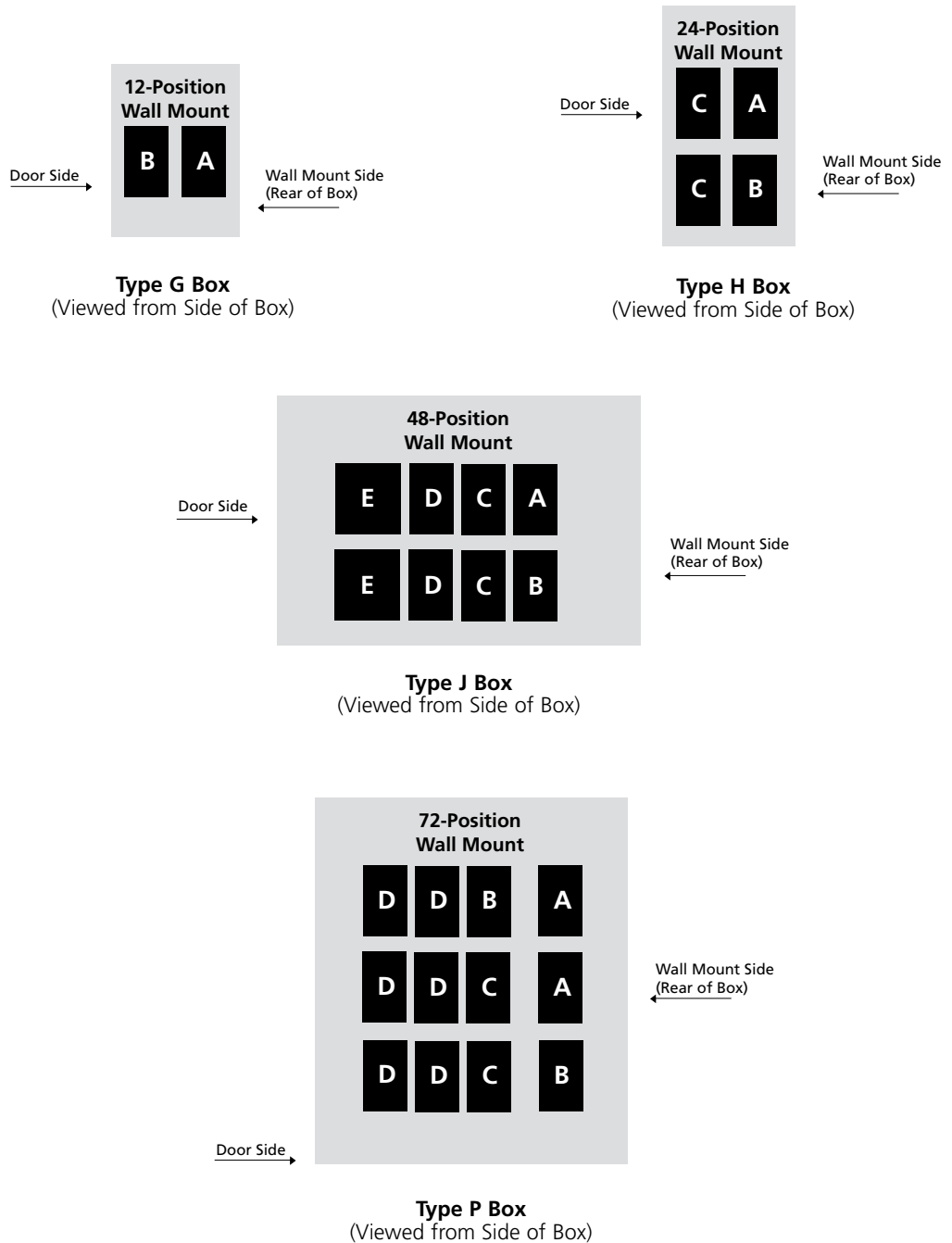
Other configurations are available upon request. Please contact TE Connectivity's Technical Assistance Center.



# FL 1000 Series Fiber Optic Wall Box

Wall Mount Boxes (Two Door)

## Placement of 6paks



10/07 • 103743AE Fiber Optic Panels

Wall Mount Panel Solutions

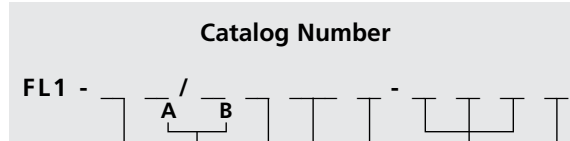
Note: All configured wall boxes will have adapter packs loaded starting from the wall side.

# FL 1000 Series Fiber Optic Wall Box

Wall Mount Boxes (One Door or Two Door) with Multifiber Cable

## How to order:

1. Select wall box type
2. Select near end/far end connector and adapter type
3. Select cable size
4. Select cable type (IFC or OSP)
5. Select entrance point
6. Select cable length
7. Select locking options



### Wall Box Type

A	12-position, 1 door wall box
B	24-position, 1 door wall box
G	12-position, 2 door wall box
H	24-position, 2 door wall box
J	48-position, 2 door wall box
P	72-position, 2 door wall box

### Near End (A)/Far End (B) Connector and Adapter Type

Multimode	
9	SC
6	LC <sup>1</sup>
Singlemode	
7	SC ultra polish
J	SC angled polish
2	FC ultra polish
8	LC ultra polish <sup>1</sup>
Z	LC angled polish <sup>1</sup>

### Cable Size

1	12
2	24
4	48
7	72
9	96 (48-position panel using LC connectors)
A	144 (72-position panel using LC connectors)

<sup>1</sup>LC connectors and adapters double the capacity of the panel by terminating two fibers at each adapter.

### Lock Type

N	None
A	(2) A keys
B	(2) B keys
C	(1) A key, (1) B key

### Cable Length

008	8 m (25')
016	16 m (50')
023	23 m (75')
031	31 m (100')
039	39 m (125')
046	46 m (150')
061	61 m (200')
077	77 m (250')
092	92 m (300')
122	122 m (400')
153	153 m (500')

### Entrance Point

1	Bottom left
2	Top left

### Cable Type

Multimode	
NC	IFC stranded 62.5/125 μm riser
Singlemode	
NA	IFC stranded riser
NS	IFC ribbon riser
NR	OSP armored ribbon (24-fibers or more)

Other configurations are available upon request. Please contact TE Connectivity's Technical Assistance Center.



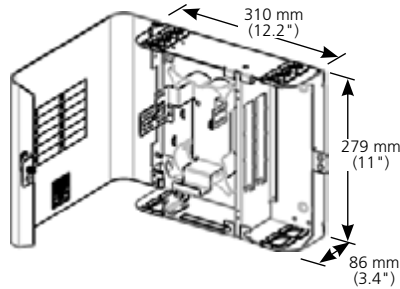


# FL 1000 Series Fiber Optic Wall Box

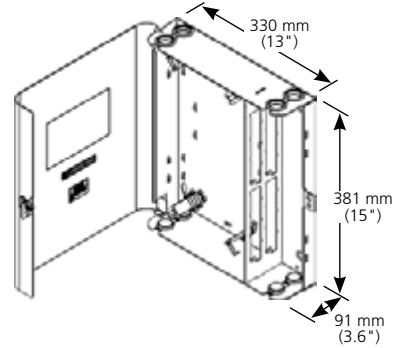
Wall Mount Boxes (One Door or Two Door) Empty Chassis

## One Door Wall Mount Chassis

Allows single door access.



**12-Position Termination/Splice  
One Door Wall Box**  
FL1-A



**24-Position Termination/Splice  
One Door Wall Box**  
FL1-B

### Ordering Information

Description	Catalog Number
<b>Empty termination/splice chassis</b>	
12-position	FL1-A
24-position	FL1-B
<b>Empty splice-only chassis</b>	
48-position	FL1-C

10/07 • 103743AE Fiber Optic Panels

Wall Mount Panel Solutions

All empty chassis' use TE FL1000 and FL2000 6pak adapters. Please see pages 64–65 and 77–78 for ordering information.

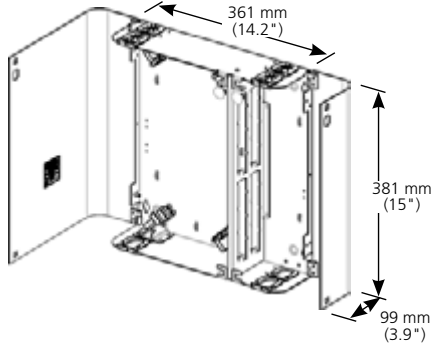


# FL1000 Series Fiber Optic Wall Box

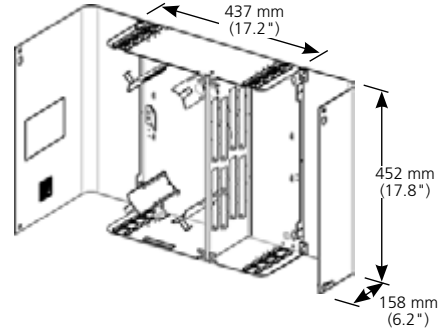
Wall Mount Boxes (One Door or Two Door) Empty Chassis

## Two Door Wall Mount Chassis

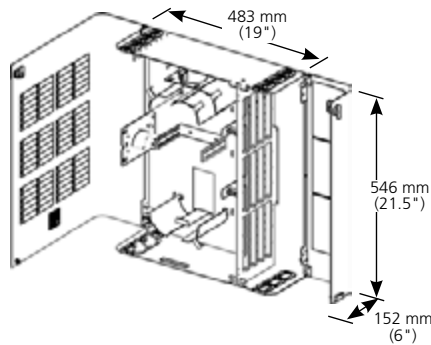
Allows separate customer and provider access.



**24-Position Termination/Splice Two Door Wall Box**  
FL1-H



**48-Position Termination/Splice Two Door Wall Box**  
FL1-J



**72-Position Termination/Splice Two Door Wall Box**  
FL1-P

### Ordering Information

Description	Catalog Number
<b>Empty termination/splice chassis</b>	
12-position	FL1-G
24-position	FL1-H
48-position	FL1-J
72-position	FL1-P
<b>Empty splice-only chassis</b>	
144-position	FL1-Q

### 6pak Adapter — Adapters and Pigtails

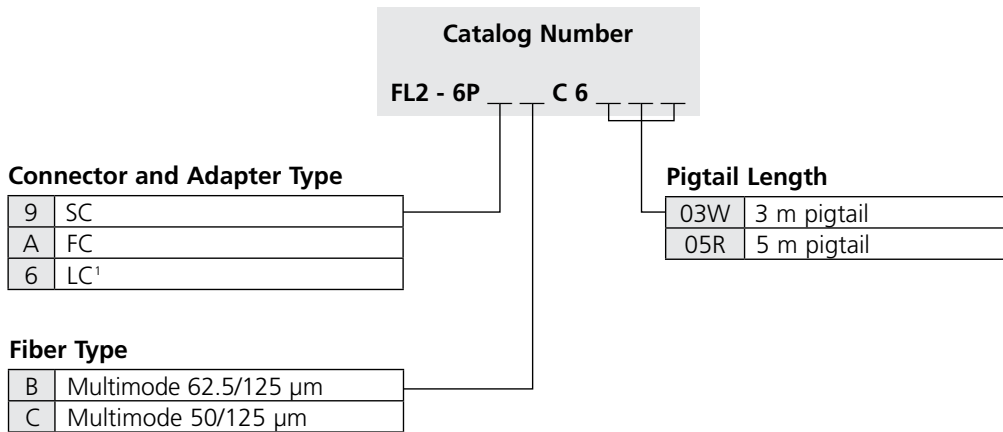
#### Features

- Can be purchased and installed as growth necessitates
- Available with preterminated three- or five-meter pigtails
- Pigtails consist of a single outer jacket containing six color-coded 900  $\mu\text{m}$  fibers
- One end of pigtail terminated with chosen connector style and installed into the 6pak adapter
- Saves installation time



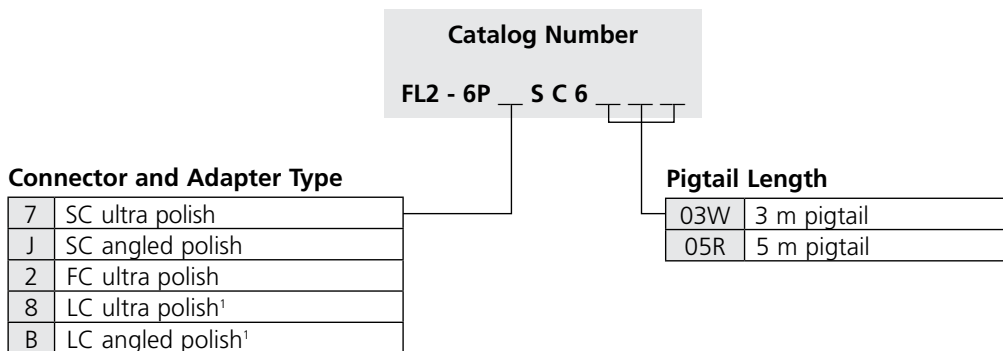
**6pak Adapter**  
(With SC Adapters and Pigtails)

### Stranded Multimode Pigtails and Adapters



<sup>1</sup> LC 6paks are loaded with 12-fiber pigtails.

### Stranded Singlemode Pigtails and Adapters



<sup>1</sup> LC 6paks are loaded with 12-fiber pigtails.

Other configurations are available upon request. Please contact TE Connectivity's Technical Assistance Center.

### Miscellaneous



**6pak Adapter-Only**  
(Without Fiber)

#### Ordering Information

Description	Catalog Number
<b>Multimode 6pak adapter-only<sup>1</sup></b> SC FC LC*	FL2-6PMMSC FL2-6PMMFC FL2-6PMMLC
<b>Singlemode 6pak adapter-only<sup>1</sup></b> SC ultra polish SC angled polish FC ultra polish LC ultra polish* LC angled polish*	FL2-6PSMSC FL2-6PSMASC FL2-6PSMFC FL2-6PSMLC FL2-6PSMALC
<b>Compression fitting</b>	FL1-ACC001
<b>Compression fitting with plate</b>	FL1-ACC006
<b>Strength member tie-off kit</b>	FL1-ACC003
<b>Cable clamp</b>	FL1-ACC011
<b>Bonding grounding kit</b>	FL1-ACC004
<b>Lock and key type A</b>	IPA-K1
<b>Lock and key type B</b>	IPA-K2
<b>Mini-splice tray</b> (used <b>only</b> in 12-position, wall-mount box) Bare fusion Heat shrink (single fiber fusion) Mechanical (mass fusion)	FST-M-FT FST-M-HS FST-M-MT
<b>Standard splice tray</b> Bare fusion Heat shrink (single fiber fusion) Mechanical (mass fusion)	FST-FT FST-HS FST-MT

\*Includes 12 fibers

<sup>1</sup> For 6paks with fiber, see the previous page.



# Cable Assembly Solutions

Introduction .....	80
Tracerlight® Patch Cords .....	81
Patch Cords .....	83
Attenuators .....	85

### Comprehensive Product Line

TE produces a wide variety of fiber cable assemblies and accessories designed to meet the specific application needs of our customers. From patch cords, multifiber assemblies and connectors to adapters and attenuators, TE is the choice for the essential products necessary to meet the requirements of today's high-speed networks.



TE's patch cord manufacturing personnel are certified through TE's rigorous internal fiber patch cord training processes.

### Advanced Manufacturing Processes

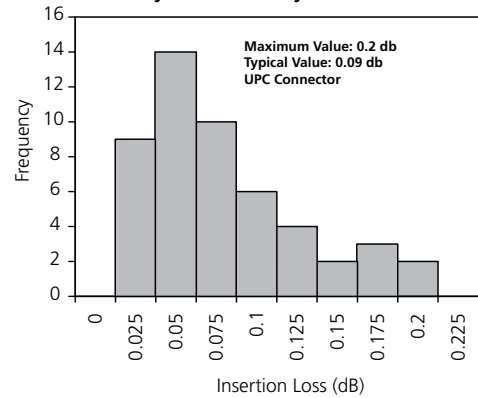
Advanced manufacturing processes allow us to meet some of the strictest specifications in the industry at prices comparable to those of less stringently produced components. TE's innovative polishing techniques, rigorous evaluation of epoxies, serialized tracking and the strictest testing processes make us an industry leader in fiber components.

### Quality Assurance

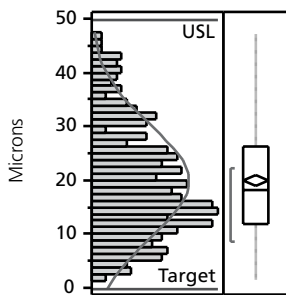
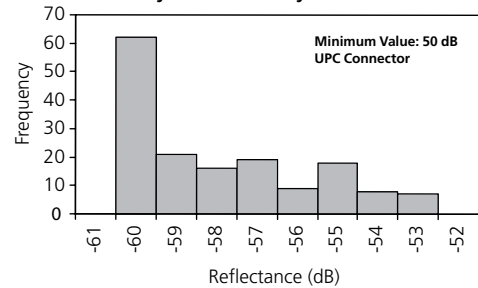
TE tests every singlemode connector and applies a bar code traceable to the exact insertion loss and return loss for that termination. This aids in the documentation of the exact losses in the network. The bar code system also stores information about the materials used and the manufacturing process applied to produce the patch cord. These records are retained for your reference for over three years.

TE's polishing process ensures consistently low insertion and return loss values. Insertion and return loss values are affected by the endface geometries of the fiber connector. TE's fiber assemblies meet Telcordia® GR-326 industry requirements for quality and performance.

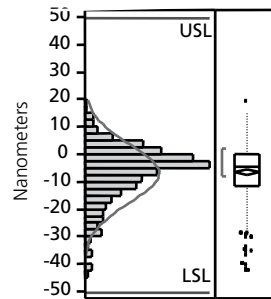
**Insertion Loss at 1,310/1,550 nm  
Any Two Randomly Mixed Pairs**



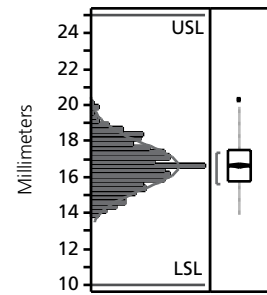
**Return Loss at 1,310/1,550 nm  
Any Two Randomly Mixed Pairs**



Apex Offset



Fiber Recess



Radius of Curvature

### UPC Connector Measurements



**TracerLight Connector Identification System**

### Power Source and Patch Cords

TE's innovative TracerLight® connector identification system offers a quick and accurate method of identifying the termination point of optical patch cords. Each end of a TracerLight patch cord features a flashing light allowing technicians to visually trace individual patch cords from one end to the other without pulling or affecting the patch cord. The TracerLight power source is easily attached to the TracerLight component on one end of the patch cord. This causes the LED on each end to begin flashing rapidly. As a result, the distant end of the patch cord can be quickly and easily identified without interruption of service or disturbance of the optical signal path.

Available in any standard length or connector style, TracerLight patch cords have the same functions, optical performance and stringent environmental requirements as our standard patch cords. TracerLight patch cords are installed in the same manner as standard patch cords and can be pulled through ADC's FiberGuide® fiber cable management system with ease.

The compact power source is comprised of a lightweight, plastic flashlight body featuring two AA batteries and a printed circuit board (PCB). It provides approximately 80 hours of continuous service and features 1-hour auto-off. The end of battery life is indicated by a slowing of the blink rate.



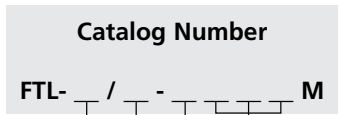
**TracerLight Power Source**  
FTL-PS

### Ordering Information

Description	Catalog Number
TracerLight power source	FTL-PS
TracerLight plus launch cable (for use with a tone generator)	FTL-TGLC

Tracerlight patch cords may be ordered on the following page.

### Simplex



#### Connector Style (first end)

Singlemode	
7	SC ultra polish
E	SC angled polish
2	FC ultra polish
C	LC ultra polish
M	LC angled polish
Multimode	
9	SC
P	LC

#### Connector Style (second end)

Singlemode	
7	SC ultra polish
E	SC angled polish
2	FC ultra polish
C	LC ultra polish
M	LC angled polish
Multimode	
9	SC
P	LC

#### Assembly Length

001-020	1-20 meters in 1 meter increments
025-065	25-65 meters in 5 meter increments
070-150	70-150 meters in 10 meter increments

#### Cable Type (1.7 mm)

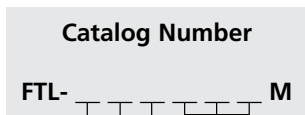
Singlemode	
D	Standard singlemode (yellow)
P	Reduced bend radius singlemode (blue)*
Multimode	
A	50/125 μm multimode (orange)
J	50/125 μm laser optimized to 300 m multimode (aqua)
G	62.5/125 μm multimode (orange)

#### Ordering Examples

**FTL-7/7-D003M:** Singlemode simplex patch cord with SC connectors on both ends, 3 meters in length.

**FTL-9/9-A005M:** Multimode simplex patch cord with SC connectors on both ends using 50/125 μm fiber, 5 meters in length.

### Duplex



#### Connector Style (first end)

Singlemode	
7	SC ultra polish
E	SC angled polish
2	FC ultra polish
C	LC ultra polish
M	LC angled polish
Multimode	
9	SC
P	LC

#### Connector Style (second end)

Singlemode	
7	SC ultra polish
E	SC angled polish
2	FC ultra polish
C	LC ultra polish
M	LC angled polish
Multimode	
9	SC
P	LC

#### Assembly Length

001-020	1-20 meters in 1 meter increments
025-065	25-65 meters in 5 meter increments
070-150	70-150 meters in 10 meter increments

#### Cable Type (1.7 mm)

Singlemode	
Z	Dual zip singlemode (yellow)
R	Reduced bend radius dual zip singlemode (blue)*
Multimode	
E	50/125 μm dual zip multimode (orange)
K	50/125 μm laser optimized to 300 m multimode (aqua)
H	62.5/125 μm dual zip multimode (orange)

#### Ordering Examples

**FTL-7CZ010M:** Singlemode dual zip patch cord with SC to LC connectors, 10 meters in length.

**FTL-PPE010M:** Multimode dual zip patch cord with LC connectors on both ends using 50/125 μm fiber, 10 meters in length.

\*Not a substitute for well-engineered cable management.

Other configurations are available upon request. Please contact TE Connectivity's Technical Assistance Center.



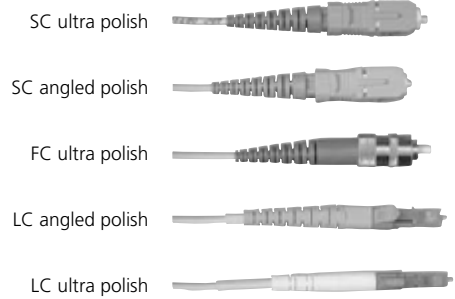
# Patch Cords

## Singlemode Patch Cords (Simplex and Duplex)

All patch cords undergo stringent testing for both insertion loss and return loss at the factory before shipment to ensure that only quality product is delivered to the customer.

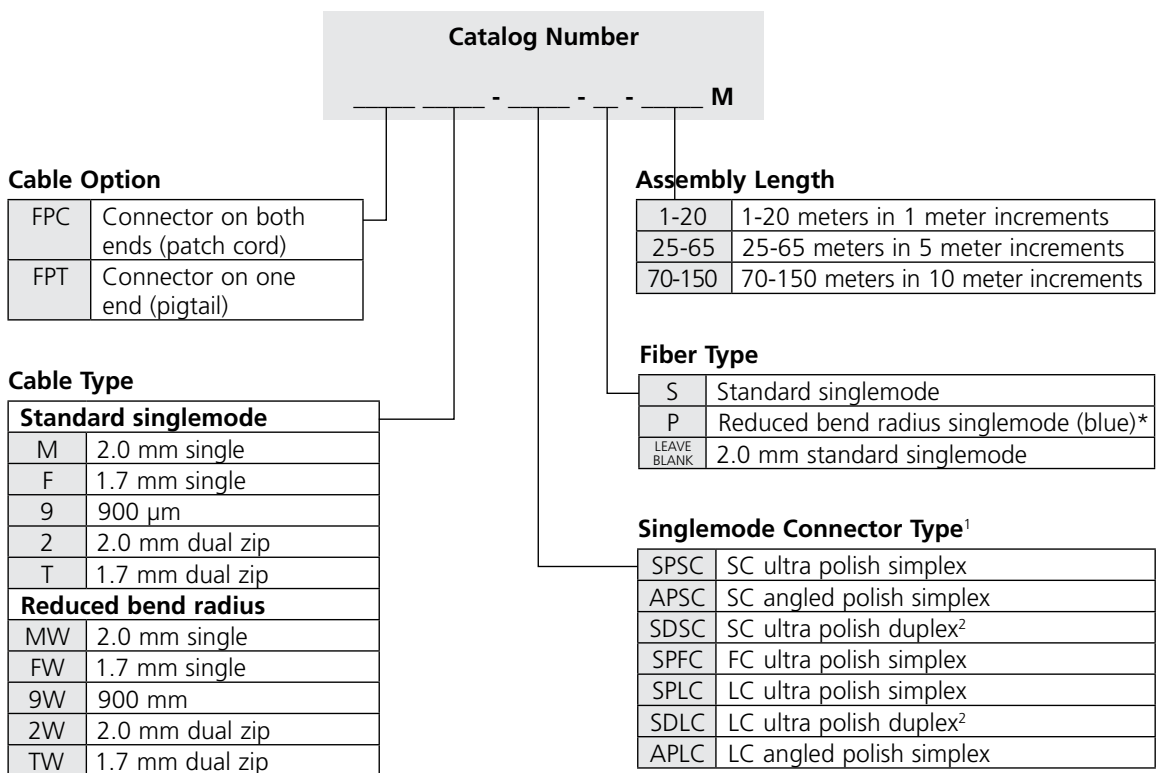
TE offers ultra physical contact (UPC) polish on the SC, FC and LC connector styles.

Angled polish is available on the LC connector and the SC connector styles. Angled polish should be used in applications that require better control of return loss. TE has tight tolerances regarding the rotation of the ferrule to maintain low insertion loss values.



Connector Types

10/07 • 103743AE Fiber Optic Panels



### Ordering Examples

**FPC2-SPSC-10M:** Singlemode 2.0 mm dual zip patch cord with SC ultra polish connectors on both ends, 10 meters in length with standard breakout length of 0.31 m (12") on both ends.

<sup>1</sup> For hybrid patch cords, enter both connector types in this field and separate them with a slash mark; remove 's' from the ultra polish option.

**FPCF-SPSC/PLC-S-10M:** Singlemode 1.7 mm simplex patch cord with SC ultra polish connector on one end and LC ultra polish connector on the other end, 10 meters in length.

<sup>2</sup> One connector per end; requires dual zip cable.

\*Not a substitute for well-engineered cable management.

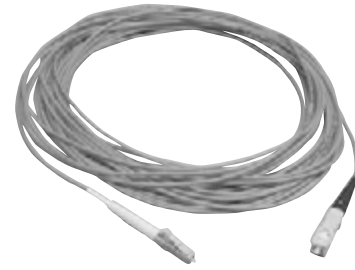
Other configurations are available upon request. Please contact TE Connectivity's Technical Assistance Center.

# Patch Cords

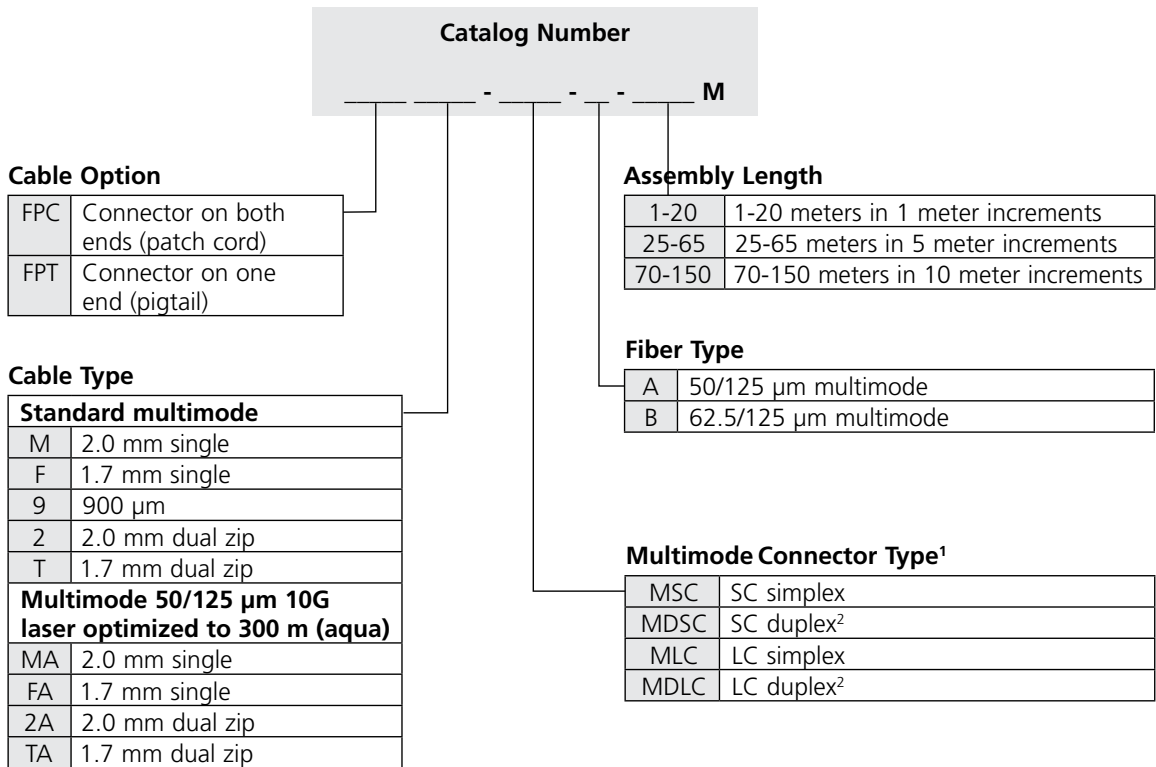
## Multimode Patch Cords (Simplex and Duplex)

Multimode patch cords are available with the LC small-form-factor connector and the SC connector.

These patch cords are assembled using the same advanced manufacturing processes as the singlemode, ensuring the highest quality standards.



LC-SC Multimode Patch Cord



### Ordering Examples

FPCM-MSC-B-7M: Multimode simplex 2.0 mm patch cord with SC connectors on both ends, 62.5/125 μm fiber type, 7 meters in length.

<sup>1</sup> For hybrid patch cords, enter both connector types in this field and separate them with a slash mark.

FPCM-MSC/MLC-A-3M: Multimode simplex 2.0 mm patch cord with SC connector on one end and LC connector on the other end, 50/125 μm fiber type, 3 meters in length.

<sup>2</sup> One connector per end; requires dual zip cable.

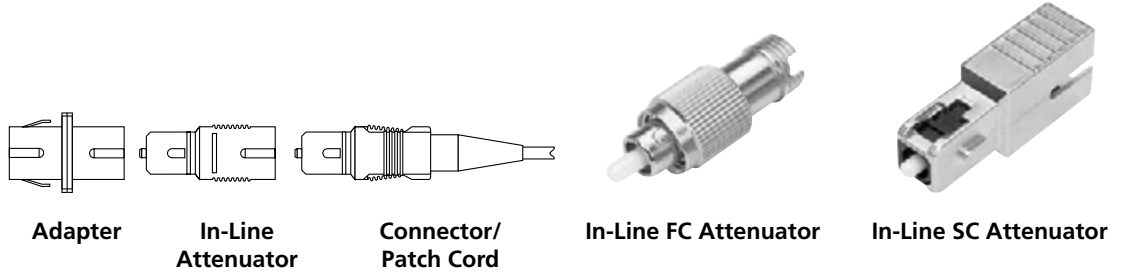
Other configurations are available upon request. Please contact TE Connectivity's Technical Assistance Center.

# Attenuators

## In-Line Attenuators

A fiber optic attenuator is an optical device that induces a calibrated fixed loss between two connectors, which dampens, or attenuates the fiber optic signal. Attenuation is required if an optical signal has too much power, exceeding the operating range of the equipment, which causes saturation at the receiver and induces system errors or failures.

TE's full line of attenuators is manufactured to meet the demands of your network. In-line attenuators are installed between an adapter and a connector; they are fused attenuators, providing exceptional optical performance.



Attenuation	Tolerance
≤5 dB	±0.75 dB
>5 dB	±10%

### Ordering Information

Description	Catalog Number*
<b>LC ultra polish</b> 05 dB 10 dB 15 dB 20 dB	FOA-INLC05 FOA-INLC010 FOA-INLC015 FOA-INLC020
<b>SC ultra polish</b> 05 dB 10 dB 15 dB 20 dB	FOA-INSC05 FOA-INSC10 FOA-INSC15 FOA-INSC20
<b>SC angled polish</b> 05 dB 10 dB 15 dB 20 dB	FOA-INASC05 FOA-INASC10 FOA-INASC15 FOA-INASC20
<b>FC ultra polish</b> 05 dB 10 dB 15 dB 20 dB	FOA-INFC05 FOA-INFC10 FOA-INFC15 FOA-INFC20

\* Other attenuation values and connector styles are available upon request. Please contact TE's Technical Assistance Center.



<b>E</b>		
E-501-L139 .....	55	
<b>F</b>		
FL1-288RP07-28820 .....	59	
FL1-288RP0J-28820 .....	59	
FL1-288RP02-28820 .....	59	
FL1-288RP09-28820 .....	59	
FL1-3 .....	62	
FL1-6 .....	62	
FL1-8 .....	62	
FL1-A .....	75	
FL1-ACC001 .....	78	
FL1-ACC002 .....	65	
FL1-ACC003 .....	78	
FL1-ACC004 .....	65, 78	
FL1-ACC006 .....	78	
FL1-ACC011 .....	65, 78	
FL1-B .....	75	
FL1-C .....	75	
FL1-FPL .....	65	
FL1-G .....	76	
FL1-H .....	76	
FL1-J .....	76	
FL1-L .....	62	
FL1-M-FT .....	22	
FL1-M-HS .....	22	
FL1-M-MT .....	22	
FL1-P .....	76	
FL1-Q .....	76	
FL1-R .....	62	
FL2-12RPNL .....	44	
FL2-12TS350 .....	41	
FL2-144SPNL .....	46	
FL2-144SPNL2 .....	46	
FL2-19MAX0175 .....	49	
FL2-19MAX0350 .....	49	
FL2-19MAX0525 .....	49	
FL2-19MAX0700 .....	49	
FL2-19MAX0875 .....	49	
FL2-19MAX1050 .....	49	
FL2-19MAX1400 .....	49	
FL2-19MAX1750 .....	49	
FL2-23VCG0175 .....	50	
FL2-23VCG0350 .....	50	
FL2-23VCG0525 .....	50	
FL2-23VCG0700 .....	50	
FL2-23VCG0875 .....	50	
FL2-23VCG1050 .....	50	
FL2-23VCG1400 .....	50	
FL2-23VCG1750 .....	50	
FL2-24RPNL .....	44	
FL2-24TS525 .....	41	
FL2-2RSTORE .....	45	
FL2-48RPNL .....	44	
FL2-48SPNL .....	46	
FL2-48SPNL2 .....	46	
FL2-48TS875 .....	41	
FL2-4VAM525 .....	47	
FL2-6PBLNK .....	53	
FL2-6PMMFC .....	53, 65, 78	
FL2-6PMMLC .....	53, 65, 78	
FL2-6PMMSC .....	53, 65, 78	
FL2-6PSMALC .....	53, 65, 78	
FL2-6PSMASC .....	53, 65, 76	
FL2-6PSMFC .....	53, 65, 78	
FL2-6PSMLC .....	53, 65, 78	
FL2-6PSMSC .....	53, 65, 78	
FL2-6RSTORE .....	45	
FL2-6VAM700 .....	47	
FL2-72RPNL .....	44	
FL2-72TS140 .....	41	
FL2-96RPNL .....	44	
FL2-96SPNL .....	46	
FL2-96SPNL2 .....	46	
FL2-96TS175 .....	41	
FL2-9VAM105 .....	47	
FL2-ACC006 .....	55	
FL2-ACC007 .....	36, 46, 55	
FL2-ACC011 .....	55	
FL2-ACC012 .....	55	
FL2-ACC033 .....	55	
FL2-BLNKFULL0350 .....	55	
FL2-BLNKFULL0525 .....	55	
FL2-BLNKFULL0700 .....	55	
FL2-BLNKFULL0875 .....	55	
FL2-BLNKFULL1050 .....	55	
FL2-BLNKVCG0350 .....	55	
FL2-BLNKVCG0875 .....	55	
FL2-BLNKVCG1050 .....	55	
FL2-EB0175P .....	51	
FL2-EB0350P .....	51	
FL2-EB0525P .....	51	
FL2-EB0700P .....	51	
FL2-EB0875P .....	51	
FL2-EB1050P .....	51	
FL2-EB1400P .....	51	
FL2-EB1750P .....	51	
FL2-FLMT0175 .....	48	
FL2-FLMT0350 .....	48	
FL2-FLMT0525 .....	48	
FL2-FLMT0700 .....	48	
FL2-FLMT0875 .....	48	
FL2-FLMT1050 .....	48	
FL2-FLMT1400 .....	48	
FL2-FLMT1750 .....	48	
FL2-HZSTORE .....	45	
FL2-RSPLCE-FT .....	41, 46, 54	
FL2-RSPLCE-HS .....	41, 46, 54	

FL2-RSPLCE-MT .....	41, 46, 54	FPL-SR2024 .....	35
FL2-TR2000 .....	45	FPL-SR2048 .....	35
FL2-VCGKIT0175 .....	48	FPL-SR2072 .....	35
FL2-VCGKIT0350 .....	48	FST-D-FT .....	36
FL2-VCGKIT0525 .....	48	FST-D-HS .....	36
FL2-VCGKIT0700 .....	48	FST-D-MT .....	36
FL2-VCGKIT0875 .....	48	FST-DRS12-FT .....	46, 54
FL2-VCGKIT1050 .....	48	FST-DRS12-HS .....	41, 46, 54
FL2-VCGKIT1400 .....	48	FST-DRS12-MT .....	41, 46, 54
FL2-VCGKIT1750 .....	48	FST-DRS24-FT .....	41
FMT-2SAP02 .....	22	FST-DRS24-HS .....	41
FMT-2SAP06 .....	22	FST-FT .....	36, 65, 78
FMT-2SAP07 .....	22	FST-HS .....	36, 65, 78
FMT-2SAP08 .....	22	FST-M-FT .....	23, 78
FMT-2SAP09 .....	22	FST-M-HS .....	23, 78
FMT-2SAP0J .....	22	FST-M-MT .....	23, 78
FMT-2SAP0Z .....	22	FST-MT .....	36, 65, 78
FMT-6SAP06 .....	23	FTL-PS .....	81
FMT-6SAP07 .....	23	FTL-TGLC .....	81
FMT-6SAP08 .....	23	<b>I</b>	
FMT-6SAP09 .....	23	IPA-K1 .....	36, 55, 78
FMT-6SAP0J .....	23	IPA-K2 .....	36, 55, 78
FMT-6SAP0Z .....	23	IPA-SC .....	36
FMT-8SAP06 .....	23	<b>M</b>	
FMT-8SAP08 .....	23	MRE-AF/OKBA1.7M11 .....	15
FMT-8SAP0Z .....	23	<b>U</b>	
FMT-ACCVC01P .....	22	UEGP-7PW .....	55
FMT-ACC21P .....	23		
FMT-ACCCLMP01 .....	22, 23		
FMT-ACCCLMP02 .....	22, 23		
FMT-ACCWLMT01 .....	22		
FMT-DVS000000-E00B .....	21		
FMT-GM7B808F0-A64P .....	15		
FMT-GM7B808F0-A80P .....	15		
FMT-GM7B80A00-A64P .....	15		
FMT-GM7B80A00-A80P .....	15		
FMT-GVM000000-A72P .....	21		
FOA-INASC05 .....	85		
FOA-INASC10 .....	85		
FOA-INASC15 .....	85		
FOA-INASC20 .....	85		
FOA-INFC05 .....	85		
FOA-INFC10 .....	85		
FOA-INFC15 .....	85		
FOA-INFC20 .....	85		
FOA-INLC010 .....	85		
FOA-INLC015 .....	85		
FOA-INLC020 .....	85		
FOA-INLC05 .....	85		
FOA-INSC05 .....	85		
FOA-INSC10 .....	85		
FOA-INSC15 .....	85		
FOA-INSC20 .....	85		
FPL-SR2000 .....	35		



## te.com

TE Connectivity, TE connectivity (logo) and Every Connection Counts are trademarks. All other logos, products and/or company names referred to herein might be trademarks of their respective owners.

The information given herein, including drawings, illustrations and schematics which are intended for illustration purposes only, is believed to be reliable. However, TE Connectivity makes no warranties as to its accuracy or completeness and disclaims any liability in connection with its use. TE Connectivity's obligations shall only be as set forth in TE Connectivity's Standard Terms and Conditions of Sale for this product and in no case will TE Connectivity be liable for any incidental, indirect or consequential damages arising out of the sale, resale, use or misuse of the product. Users of TE Connectivity products should make their own evaluation to determine the suitability of each such product for the specific application.

© 2014 TE Connectivity Ltd. family of companies All Rights Reserved.

103743AE 10/07 Revision © 2007

## CATALOG

### Contact us

P.O. Box 1101  
Minneapolis, Minnesota  
USA 55440-1101

Tel: 1-800-366-3891 x73000  
1-952-917-3000

Fax: 1-952-917-3237

[www.te.com/TelecomNetworks](http://www.te.com/TelecomNetworks)