



(INT+43 1/ NAT 01)
TEL 360 20 - 0 / FAX - 1234
A-1194 VIENNA, P.O. BOX 2

GG - DATA SHEET

-IN DOUBT, THE GERMAN ORIGINAL GOVERNS THIS TRANSLATION-

K 4058

GG-STANDARD

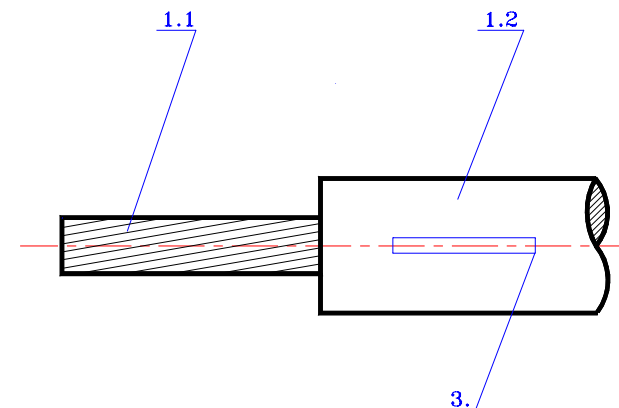
E11

ISSUE

1. DESIGN DATA

1.1 CONDUCTOR : Bare copper wires, material Cu-ETP1-A019-P according to DIN EN 13602,
for single wire- \varnothing to max. 0,32mm,
material Cu-ETP1-A020-P according to DIN EN 13602,
for single wire- \varnothing over 0.32mm,
tinned copper wires, material Cu-ETP1-A017-C according to DIN EN 13602,
for single wire- \varnothing to max. 0,32mm,
table 1 : symmetrical conductor construction,
in type name „-A" after cross-section.
table 2 : unsymmetrical conductor construction,
in type name „-B" after cross-section.

1.2 INSULATION : XPE,
single-, and double coloured in all usual colours,
kind of colour marking according to DIN 47002,
measurements according to LV 112-1,
requirements according to LV 112-1, class C.
Caused by the tensile strength during unwinding
may cause the retraction of the insulation on the cable ends
of about 0.3 mm after cutting.



2. CHARACTERISTICS

2.1 TEST : requirements according to LV 112-1.
2.2 OPERATION TEMPERATURE : -40°C to +125°C / 3000h.

3. IDENTIFICATION : Manufacturer's name printed on insulation (distance \leq 200mm).

4. DELIVERY MAKE-UP : see table.

P o l y f l e x

Table 1-core XPE-cables with
reduced wall-thickness.

Typ FLR2X ...-... /T125

GG-PART No.

-

DESIGNED

STRASSER

CHECKED

HOCHLEITHNER

DATE

25.04.14

EXTERNAL SPECIFICATION

LV 112-1

PAGE

1 of 3



(INT+43 1/ NAT 01)
TEL 360 20 - 0 / FAX - 1234
A-1194 VIENNA, P.O. BOX 2

GG - DATA SHEET

-IN DOUBT, THE GERMAN ORIGINAL GOVERNS THIS TRANSLATION-

K 4058

GG-STANDARD

E11

ISSUE

1-CORE XPE-CABLES WITH REDUCED WALL-THICKNESS AND SYMMETRICAL CONDUCTOR CONSTRUCTION, TYPE FLR2X ..-A

| NOMINAL-CROSS-SECTION AREA [mm ²] | SINGLE WIRE | | CONDUCTOR | | | C A B L E | | | | DELIVERY | | GG-PART No. bare tinned | | |
|-----------------------------------------------|-------------|---------------------|---------------------|---------------------------------------------------|------|-----------------------------------------------------------|-------------------------------------|------------|-----------------------------------|--------------------|-------------------------------|-----------------------------------|---------|---------------------|
| | NUMBER | MAX. DIA-METER [mm] | MAX. DIA-METER [mm] | MAX. RESISTANCE at 20°C bare / tinned [Ohm/km] | | WALL THICKNESS OF INSULATION nom. min. [mm] [mm] | MAX. DIAMETER /-TOLERANCE [mm] [mm] | | TEST-VOLTAGE [kV _{eff}] | WEIGHT (ca.) [g/m] | DELIVERY-MAKE-UP container | | | REGULAR-LENGTH [km] |
| 0.22 | 7 | 0.21 | 0.65 | 84.8 | 86.5 | 0.25 | 0.20 | 1.2 / -0.1 | 3.0 | 3.1 | NPS | 20.0 | 59 874 | 34 187 |
| 0.35 | 7 | 0.26 | 0.8 | 52.0 | 54.5 | 0.25 | 0.20 | 1.3 / -0.1 | 3.0 | 4.3 | NPS | 15.0 | 23 000 | 34 171 |
| 0.50 | 19 | 0.19 | 1.0 | 37.1 | 38.2 | 0.30 | 0.22 | 1.6 / -0.2 | 5.0 | 6.4 | NPS | 12.0 | 62 332 | 34 289 |
| 0.75 | 19 | 0.23 | 1.2 | 24.7 | 25.4 | 0.30 | 0.24 | 1.9 / -0.2 | 5.0 | 9.0 | NPS | 9.0 | 62 345 | |
| 1.0 | 19 | 0.26 | 1.3 | 18.5 | 19.1 | 0.30 | 0.24 | 2.1 / -0.2 | 5.0 | 11.5 | NPS | 7.5 | 103 853 | - |
| 1.5 | 19 | 0.32 | 1.7 | 12.7 | 13.0 | 0.30 | 0.24 | 2.4 / -0.2 | 5.0 | 16 | NPS | 5.5 | 62 362 | |
| 2.0 | 19 | 0.38 | 1.90 | 9.42 | 9.69 | 0.35 | 0.28 | 2.8 / -0.3 | 5.0 | 22 | NPS | 4.0 | 141 249 | |
| 2.5 | 19 | 0.41 | 2.2 | 7.6 | 7.9 | 0.35 | 0.28 | 3.0 / -0.3 | 5.0 | 27.5 | NPS | 3,2 | 124 245 | |

P o l y f l e x

Table 1-core XPE-cables with reduced wall-thickness.

Notation example : FLR2X 0.35-A.

Typ FLR2X ...-... /T125

| | | | | | |
|------------------|----------------------|-------------------------|------------------|------------------------------------|----------------|
| GG-PART No. - | DESIGNED STRASSER | CHECKED HOCHLEITHNER | DATE 25.04.14 | EXTERNAL SPECIFICATION LV 112-1 | PAGE 2 of 3 |
|------------------|----------------------|-------------------------|------------------|------------------------------------|----------------|



(INT+43 1/ NAT 01)
TEL 360 20 - 0 / FAX - 1234
A-1194 VIENNA, P.O. BOX 2

GG - DATA SHEET

-IN DOUBT, THE GERMAN ORIGINAL GOVERNS THIS TRANSLATION-

K 4058

GG-STANDARD

E11

ISSUE

1-CORE XPE-CABLES WITH REDUCED WALL-THICKNESS AND UNSYMMETRICAL CONDUCTOR CONSTRUCTION, TYPE FLR2X ..-B

| NOMINAL-CROSS-SECTION AREA [mm ²] | EINZELDRAHT | | CONDUCTOR | | | C A B L E | | | | | DELIVERY | | GG-PART No. | | |
|-----------------------------------------------|-------------|---------------------|---------------------|------------------------------------------------|------|--------------------------------------------------|------|-------------------------------------|--|----------------------|--------------------|----------------------------|---------------------|--------|--------|
| | NUMBER | MAX. DIA-METER [mm] | MAX. DIA-METER [mm] | MAX. RESISTANCE at 20°C bare / tinned [Ohm/km] | | WALL THICKNESS OF INSULATION nom. min. [mm] [mm] | | MAX. DIAMETER /-TOLERANCE [mm] [mm] | | TEST-VOLTAGE [kVeff] | WEIGHT (ca.) [g/m] | DELIVERY-MAKE-UP container | REGULAR-LENGTH [km] | bare | tinned |
| 0.75 | 24 | 0.21 | 1.2 | 24.7 | 25.4 | 0.30 | 0.24 | 1.9 / -0.2 | | 5.0 | 8.7 | NPS | 9.0 | 22 985 | 34 290 |
| 1.0 | 32 | 0.21 | 1.35 | 18.5 | 19.1 | 0.30 | 0.24 | 2.1 / -0.2 | | 5.0 | 11 | NPS | 7.5 | 18 797 | 34 298 |
| 1.5 | 30 | 0.26 | 1.7 | 12.7 | 13.0 | 0.30 | 0.24 | 2.4 / -0.2 | | 5.0 | 16 | NPS | 5.5 | 22 990 | 34 301 |
| 2.0 | 28 | 0.31 | 1.90 | 9.42 | 9.69 | 0.35 | 0.28 | 2.8 / -0.3 | | 5.0 | 22 | NPS | 4.0 | - | - |
| 2.5 | 50 | 0.26 | 2.2 | 7.6 | 7.8 | 0.35 | 0.28 | 3.0 / -0.3 | | 5.0 | 26 | NPS | 3.2 | 18 855 | 34 305 |
| 4.0 | 56 | 0.31 | 2.75 | 4.7 | 4.8 | 0.40 | 0.32 | 3.7 / -0.3 | | 5.0 | 42 | NPS | 2.3 | 22 999 | 34 323 |
| 6.0 | 84 | 0.31 | 3.3 | 3.1 | 3.2 | 0.40 | 0.32 | 4.3 / -0.3 | | 5.0 | 61 | NPS | 1.8 | 23 013 | 34 325 |

P o l y f l e x

Table 1-core XPE-cables with reduced wall-thickness.

Notation example : FLR2X 0.5-B.

Typ FLR2X ...-... /T125

| | | | | | |
|------------------|----------------------|-------------------------|------------------|------------------------------------|----------------|
| GG-PART No. - | DESIGNED STRASSER | CHECKED HOCHLEITHNER | DATE 25.04.14 | EXTERNAL SPECIFICATION LV 112-1 | PAGE 3 of 3 |
|------------------|----------------------|-------------------------|------------------|------------------------------------|----------------|