



(INT+43 1/ NAF 01)  
 TEL 360 20 - 0 / FAX - 1234  
 A-1194 VIENNA, P.O. BOX 2

# GG - DATA SHEET

-IN DOUBT, THE GERMAN ORIGINAL GOVERNS THIS TRANSLATION-

**K 4058**  
 GG-STANDARD

**E8**  
 ISSUE

## 1. DESIGN DATA

- 1.1 CONDUCTOR** : Bare copper wires, material Cu-ETP1-A019-P according to DIN EN 13602,  
 for single wire- $\emptyset$  to max. 0,32mm,  
 material Cu-ETP1-A020-P according to DIN EN 13602,  
 for single wire- $\emptyset$  over 0.32mm,  
 tinned copper wires, material Cu-ETP1-A017-C according to DIN EN 13602,  
 for single wire- $\emptyset$  to max. 0,32mm,  
 table 1 : symmetrical conductor construction,  
 in type name "-A" after cross-section.  
 table 2 : unsymmetrical conductor construction,  
 in type name "-B" after cross-section.

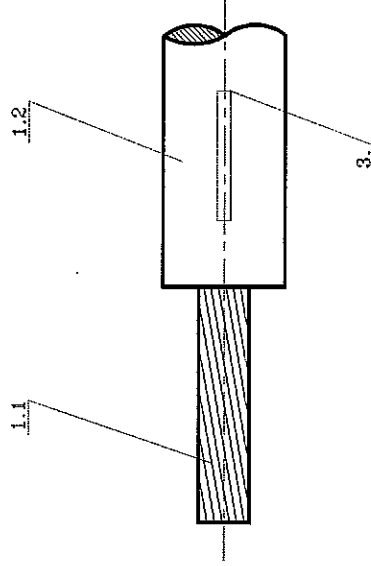
- 1.2 INSULATION** : XPE,  
 single-, and double coloured in all usual colours,  
 kind of colour marking according to DIN 47002,  
 measurements according to LV 112,  
 requirements according to LV 112, class C.

## 2. CHARACTERISTICS

- 2.1 TEST** : requirements according to LV 112.  
**2.2 OPERATION TEMPERATURE** : -40°C to +125°C / 3000h.

- 3. IDENTIFICATION** : Manufacturer's name printed on insulation (distance  $\leq$  200mm).

- 4. DELIVERY MAKE-UP** : see table.



**P o l y f l e x**  
 Table 1-core XPE-cables with  
 reduced wall-thickness.

**Typ FLR2X . . . - . . .**

GG-PART No.

DESIGNED  
 STRASSER

CHECKED

HOCHLEITHNER

DATE

10.06.11

EXTERNAL SPECIFICATION

LV 112

PAGE

1 of 3



(INT+43 1/ NAT 01)  
TEL 360 20 - 0 / FAX - 1234  
A-1194 VIENNA, P.O. BOX 2

# GG - DATA SHEET

**K 4058**  
GG-STANDARD

**E8**  
ISSUE

GERAUER & GRILLER KABELWERKE GMBH  
ALL RIGHTS RESERVED-NO UPDATE SERVICE

-IN DOUBT, THE GERMAN ORIGINAL GOVERNS THIS TRANSLATION-

## 1-CORE XPE-CABLES WITH REDUCED WALL-THICKNESS AND SYMMETRICAL CONDUCTOR CONSTRUCTION, TYPE FLR2X ...-A

NOMINAL-CROSS-SECTION AREA [mm <sup>2</sup> ]	SINGLE WIRE		CONDUCTOR		C A B L E				DELIVERY		GG-PART No.			
	NUMBER	MAX. DIA-METER [mm]	MAX. DIA-METER [mm]	MAX. RESISTANCE at 20°C bare / tinned [Ohm/km]	WALL THICKNESS OF INSULATION nom. min. [mm]	MAX. DIAMETER /-TOLERANCE [mm]	TEST-VOLTAGE [kV <sub>eff</sub> ]	WEIGHT (ca.) [g/m]	DELIVERY-MAKE-UP	REGULAR-LENGTH [km]				
0.22	7	0.21	0.65	84.8	86.5	0.25	0.20	1.2 / -0.1	3.0	3.1	NPS	20.0	59 874	34 187
0.35	7	0.26	0.8	52.0	54.5	0.25	0.20	1.3 / -0.1	3.0	4.3	NPS	15.0	23 000	34 171
0.50	19	0.19	1.0	37.1	38.2	0.30	0.22	1.6 / -0.2	5.0	6.4	NPS	12.0	62 332	34 289
0.75	19	0.23	1.2	24.7	25.4	0.30	0.24	1.9 / -0.2	5.0	9.0	NPS	9.0	62 345	
1.0	19	0.26	1.3	18.5	19.1	0.30	0.24	2.1 / -0.2	5.0	11.5	NPS	7.5	103 853	-
1.5	19	0.32	1.7	12.7	13.0	0.30	0.24	2.4 / -0.2	5.0	16	NPS	5.5	62 362	
2.5	19	0.41	2.2	7.6	7.9	0.35	0.28	3.0 / -0.3	5.0	27.5	NPS	3,2	124 245	

**P o l y f i l e x**  
Table 1-core XPE-cables with reduced wall-thickness.

**TYP FLR2X ...-...**

Notation example : FLR2X 0.35-A.

GG-PART No.

DESIGNED  
**STRASSER**

CHECKED

**HOCHLEITHNER**

DATE

**10.06.11**

EXTERNAL SPECIFICATION

**LV 112**

PAGE

**2 of 3**