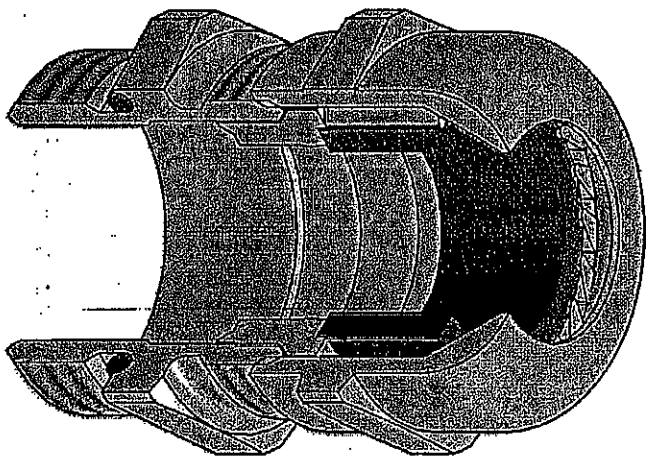
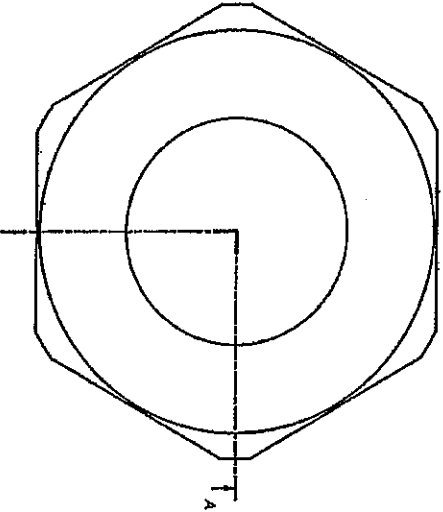


A-A



ITEM	QTY	PART NUMBER	DESCRIPTION
5	1		O RING
4	1		CAP
3	1		RUBBER SEAL
2	1		PLASTIC INSERT
1	1		BODY

Parts List

Reference Number / References No			
Drawing Number / Revision No	7451AK 00	Date / Revisi / Tanggal / Revisi	
Revision Number / Des / Revisi No / 00		08.05.2007	
Drawn by / Keno	MCPAL		
Designed by / Tasmahyari	SK		
Approved by / Omsyahyan	Y. ALB KRBR		
Scale / 4:1	Form A3	BASE-02	
M20X1.5 METAL RAKOR (Pg 13.5) TL 15.0			
M20X1.5 BRASS CABLE GLAND (Pg 13.5) TL 15.0			
Customer Code / N. 'sifat' Kodu			