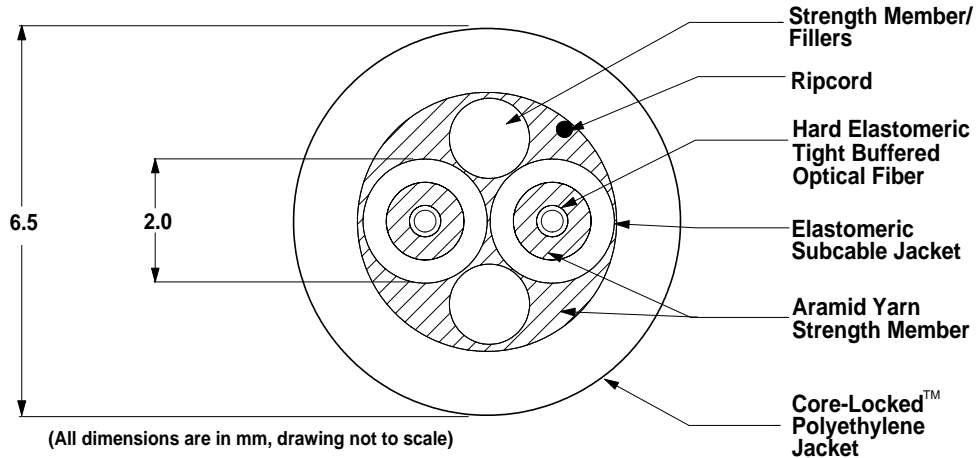


«« PROPRIETARY INFORMATION OF OPTICAL CABLE CORPORATION »»»
 DETAIL DRAWING
 2-CHANNEL
 MILITARY TACTICAL FIBER OPTIC BREAKOUT CABLE
 OPTICAL CABLE CORPORATION P/N:
B02-065C-WEU-900-MIL
ULTRA FOX PLUS™



Fiber Type	Multimode	
Core Diameter	62.5 μ m	
Cladding Diameter	125 μ m	
Primary Coating Diameter (UV cured acrylate)	500 μ m	
Secondary Buffer Diameter (hard elastomeric)	900 μ m	
Numerical Aperture	0.275	
Proof Test Level	100 kpsi	
<u>Wavelength</u>	<u>850 nm</u>	<u>1300 nm</u>
Attenuation	3.5 dB/km	1.5 dB/km
Bandwidth	200 MHz-km	500 MHz-km
Cable Weight	31 kg/km	
Cable Diameter	6.5 mm	
INSTALLATION:		
MAX. TENSILE LOAD	2200 N	
MIN. BEND RADIUS	10.4 cm	
OPERATING:		
MAX. TENSILE LOAD	550 N	
MIN. BEND RADIUS	5.2 cm	
IMPACT RESISTANCE	200 Impacts (EIA/TIA-455-25, Military Req.)	
CRUSH RESISTANCE	440 N/cm (TIA/EIA-455-41, Military Req.)	
OPERATING TEMPERATURE	-55°C to +85°C	
STORAGE TEMPERATURE	-70°C to +85°C	