

Wire Marshall Table-to-Floor Cable Management



FSR

Metal Products Group

Wire Marshall



DESCRIPTION

There's a new Marshall in town!

The Wire Marshall system provides cable management for tables that lack a pedestal for hiding cables and power as they transition from the table boxes to the floor.

The **WM-CP** Cable Pathway provides a 25" to 30" adjustable height pathway from the underside of the table to the floor. It handles multiple low-voltage AV/Data and AC cables. The Wire Marshall Cable Pathway opens easily to allow additional low-voltage or AC cables each in their own divided section. The top of the Cable Pathway has a built-in service loop storage area to dress excess cable. The bottom is a boot that provides easy cable egress while holding the WM-CP in place.

The **WM-CP-CNTR** Cable Pathway provides a 31" to 36" adjustable height pathway for counter height tables.

The **WM-UTC** Under-Table Channel is used for dressing cables horizontally along the table underside. Its unique shape and rubber like edge allows cables to enter and exit the channel at any point along its length. Each 22.5" track has mitered ends to create square corners or allow cables to pass into the Cable Pathway. For longer custom installations, the 5' long WM-UTC5 is available.

The **WM-CMPT** system consists of four WM-UTC Under-Table Channels for dressing cables horizontally, one WM-CP Cable Path for dressing cables vertically and all of the required mounting hardware.

The **WM-LC** is a semi-circular cable channel designed to attach to round table legs for applications when the WM-CP is not applicable. Each WM-LC has 3 strips of double sided tape pre-attached for easy installation.

FEATURES

- Provides a simple, economical, and elegant solution for cable management
- Easy to install
- Organizes cables from any manufacturer's table boxes
- Easy to open Cable Pathway sections to add or remove cables as the design changes
- Works on most slim design tables providing an easy path for your cabling needs

APPLICATIONS

- Conference Room Tables
- Huddle Rooms
- Lecterns
- Classrooms
- Libraries
- Collaboration Areas
- Amphitheater Tables
- Multi-purpose Rooms
- Cubicles

FSR Inc.

244 Bergen Boulevard, Woodland Park, NJ 07424

Phone: 973.785.4347 · Fax: 973.785.4207

Order Desk: 1-800-332-FSR1

Web: fsrinc.com · E-mail: sales@fsrinc.com LIT1665B

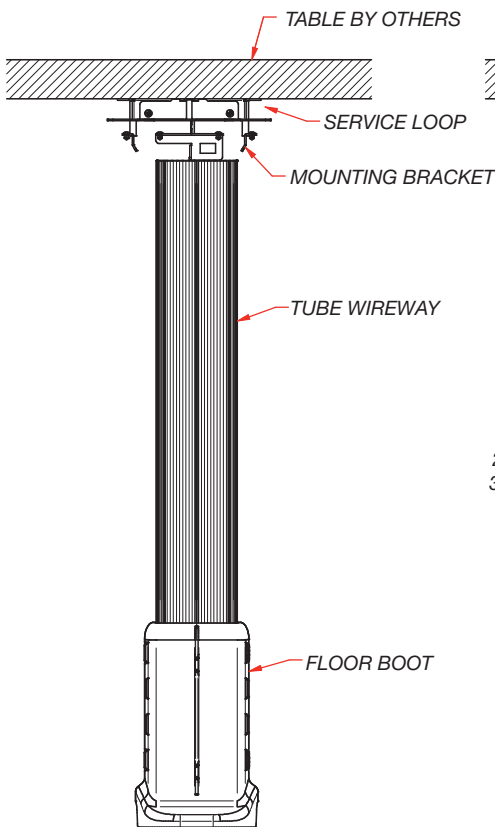
ORDERING INFORMATION

Item #	Model #	Description
18016	WM-CMPT	Complete Under Table Kit Includes a WM-CP and 4 x WM-UTC
18019	WM-CP	Cable Pathway from Floor to Table Bottom (25" – 30")
18061	WM-CP-CNTR	Cable Pathway from Floor to Table Bottom (31" – 36")
18017	WM-UTC	Under Table Channel with Mitered (22.5")
18055	WM-UTC5	Under Table Channel (60")
18018	WM-LC	Leg Channel For Round Legs (30")

DIMENSIONS AND INSTALLATION

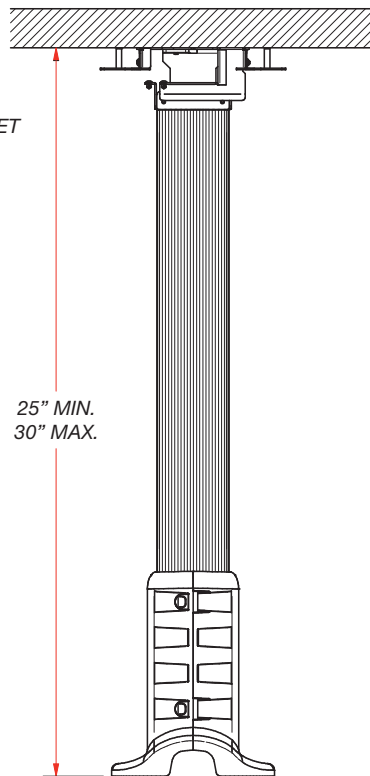
WM-CP Cable Pathway

(side elevation)



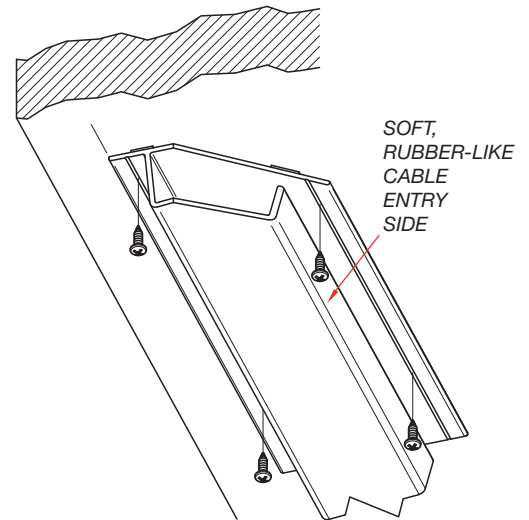
WM-CP Cable Pathway

(front elevation)



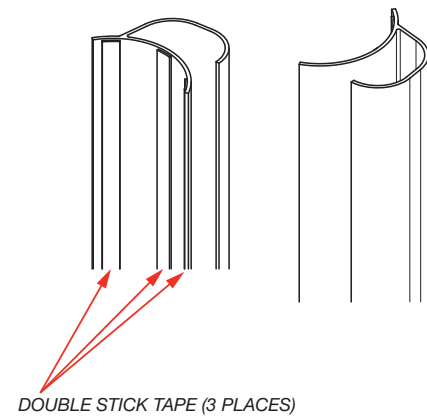
WM-UTC Under Table Channel

(22.5"L x 3.25"W x 1.25"H)
(Mounting Detail)



WM-LC Leg Channel

for round legs (30")



Visit the FSR website for more detailed information.