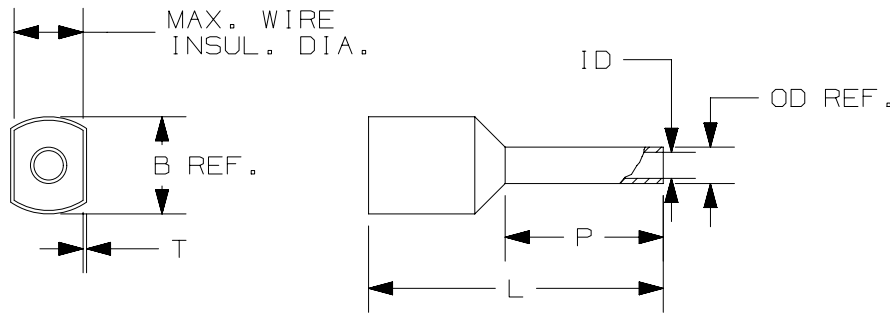


THIS COPY IS PROVIDED ON A RESTRICTED BASIS AND IS NOT TO BE USED IN ANY WAY DETRIMENTAL TO THE INTERESTS OF PANDUIT CORP.

PANDUIT PART #	WIRE RANGE (ACCEPTS 2 WIRES)		COLOR (DIN)	WIRE STRIP LENGTH +1/32 -0 [+0,8 -0]	MAX. WIRE INSUL. DIA.	WIRE CLASS	DIMENSIONS in. [mm]						INSTALLATION TOOLS
	AWG 2X	[mm <sup>2</sup> ] 2X					L	P	ID	OD (REF.)	B (REF.)	T	
*FTD75-8	22-20	[0,5]	WHITE	7/16 [11,2]	.09 [2,4]	B, K, M	.59 [15,0]	.31 [8,0]	.06 [1,5]	.07 [1,8]	.18 [4,6]	.01 [0,3]	CT-1002 CT-1003 CT-1123
FTD76-8	18	[0,75]	GREY	7/16 [11,2]	.09 [2,4]	B, K, M	.59 [15,0]	.31 [8,0]	.07 [1,8]	.08 [2,0]	.20 [5,0]		
FTD76-10	18	[0,75]	GREY	9/16 [14,0]	.09 [2,4]	B, K, M	.67 [17,0]	.39 [10,0]	.07 [1,8]	.08 [2,0]	.20 [5,0]		
FTD77-8	18	[1,0]	RED	7/16 [11,2]	.11 [2,8]	B, K, M	.59 [15,0]	.31 [8,0]	.08 [2,0]	.09 [2,3]	.20 [5,0]		
FTD77-10	18	[1,0]	RED	9/16 [14,0]	.11 [2,8]	B, K, M	.67 [17,0]	.39 [10,0]	.08 [2,0]	.09 [2,3]	.20 [5,0]		
FTD78-8	16	[1,5]	BLACK	7/16 [11,2]	.12 [3,0]	B, K, M	.63 [16,0]	.31 [8,0]	.09 [2,3]	.10 [2,5]	.25 [6,4]		
FTD78-12	16	[1,5]	BLACK	21/32 [16,8]	.12 [3,0]	B, K, M	.79 [20,0]	.47 [12,0]	.09 [2,3]	.10 [2,5]	.25 [6,4]		
FTD80-10	14	[2,5]	BLUE	9/16 [14,0]	.15 [3,8]	K, M	.73 [18,5]	.39 [10,0]	.11 [2,8]	.13 [3,3]	.30 [7,6]		
FTD80-13	14	[2,5]	BLUE	23/32 [18,2]	.15 [3,8]	K, M	.85 [21,5]	.51 [13,0]	.11 [2,8]	.13 [3,3]	.30 [7,6]		
FTD81-12	12	[4,0]	GREY	21/32 [16,8]	.17 [4,3]	G, K, M	.91 [23,0]	.47 [12,0]	.15 [3,8]	.17 [4,3]	.34 [8,6]		
FTD82-14	10	[6,0]	YELLOW	25/32 [19,6]	.19 [4,8]	G, I, K, M	.98 [25,0]	.55 [14,0]	.18 [4,6]	.20 [5,0]	.38 [9,7]		
FTD83-14	8	[10,0]	RED	25/32 [19,6]	.28 [7,1]	G, H, I, K, M	1.02 [26,0]	.55 [14,0]	.26 [6,6]	.27 [6,9]	.50 [12,7]		
FTD84-16	6	[16,0]	BLUE	3/4 [19,1]	.35 [8,9]	G, H, I, K, M	1.22 [31,0]	.63 [16,0]	.33 [8,4]	.35 [8,9]	.65 [16,5]		

\* UL LISTED WITH 20 AWG ONLY, UL486F SCOPE IS 20 - 1/0 AWG. WHITE IS DIN COLOR FOR 20 AWG [0,5]  
+ TOOL/PART IS NOT A UL LISTED COMBINATION

- NOTES:
- USED FOR:
    - UL LISTED WITH STRANDED COPPER WIRE ONLY
    - 221°F [105°C] MAX. OPERATING TEMPERATURE
  - MATERIAL:
    - STAMPING: COPPER, TIN PLATED
    - HOUSING: POLYPROPYLENE, COLOR CODED
    - COLOR CODE CONFORMS TO DIN STANDARD
  - SEE [www.panduit.com](http://www.panduit.com) FOR PACKAGE QUANTITIES
  - DIMENSIONS IN BRACKETS ARE METRIC EQUIVALENT
  - DIMENSIONAL PART TOLERANCE +/-0.016 [0,4]



REV	DATE	BY	CHK	APR	DESCRIPTION	ECN	TITLE				DRAWING NUMBER			
							FERRULES WITH SLEEVES TWIN WIRE (DIN) FTD: 2 WIRES INSERTED INTO FERRULE					A41669		
							CUSTOMER DRAWING					SEE NOTES		
							ITEM REVISION NAME					DRAWING NUMBER:		
							N41669BA/15					A41669		
							DATASET FILE NAME					SHEET 1 OF 1		
							N41669BA_DC/15					A		
							UNLESS OTHERWISE SPECIFIED, DIMENSIONAL TOLERANCES ARE: IN [mm]							
							.X ±							
							.XX ±							
							.XXX ±							
							ANGLES ±							
							THIRD ANGLE PROJECTION							
							DRAWN BY		DATE		CHK		SCALE	
							JKD		-		SKB		N.T.S.	