

Technical Data Sheet:	DS132-3
Product Description	Straight conduit fitting, external NPT thread
Product Range	FPA - Nylon (NPT Thread)

FLEXICON

FLEXIBLE CONDUIT SOLUTIONS



Roman Way, Coleshill
Birmingham
B46 1HG

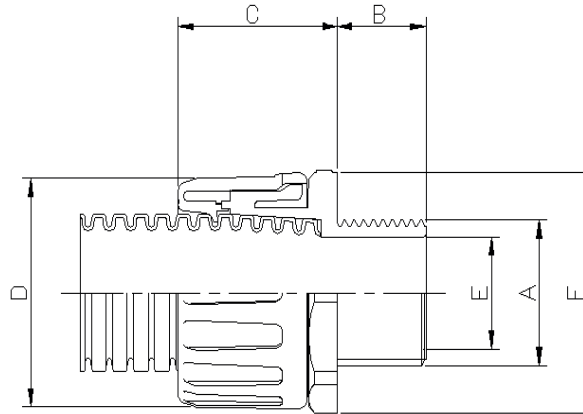
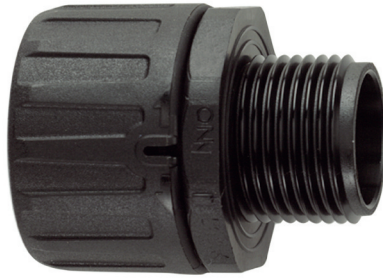
Tel: 00 44 (0)1675 466900

Website: www.flexicon.uk.com



FM58347

• FPA fittings - IP66



Material:
Nylon PA66

Colour:
FPA - Black & Grey
(RAL7031)

Fire Performance:
Extra Low Fire Hazard
- Halogen, Sulphur &
Phosphorous Free

For full details of fire performance details of PA66 fittings see data sheet reference DS601

IP Rating:

• IP66
(NB: For higher IP ratings see FPAX & FPAU fittings)

Applications:

Suitable for NPT threaded entries.

Features:

- UV Resistant - Black
- Fast Fit
- Anti vibration & Tamper Resistant
- High tensile strength due to all round retaining teeth 40kg with FPAS21
- Can be removed using a screwdriver

Temperature Performance:

-50°C to +135°C

Conduit Size	Part No.	NPT Thread	Nom Dimension (mm)				
		A	B	C	D	E	F (A/F)
16	FPA16-038#	3/8" NPT	11	30	29	11.0	26.4
16	FPA16-050#	1/2" NPT	14	30	29	14.5	28.0
21	FPA21-050#	1/2" NPT	14	30	32	14.5	30.0
21	FPA21-075#	3/4" NPT	15	30	32	19.3	30.0
28	FPA28-075#	3/4" NPT	15	34	44	19.3	42.0
34	FPA34-100#	1" NPT	16	37	51	26.5	49.0
42	FPA42-125#	1 1/4" NPT	16	44	63	32.5	60.0
42	FPA42-150#	1 1/2" NPT	18	44	63	42.0	60.0
54	FPA54-150#	1 1/2" NPT	18	49	76	42.0	73.0
54	FPA54-200#	2" NPT	20	49	76	53.0	73.0
67	FPA67-200#	2" NPT	20	54	90	53.0	87.0

NB: # add B for black or G for Grey

Compliance, Approvals & Accreditation;



EN 61386 Classification Available on request

File No. E229161

Vibration and Shock resistant to EN 61373 Cat 2

Typical Applications;



Errors, omissions and amendments excepted. As part of continuing product development Flexicon Ltd reserve the right to alter product specifications without prior notice. Data given is correct at time of compilation. Product specification and application data is for guidance only and does not constitute a warranty of any kind, either expressed or implied for Flexicon products or their suitability for a specific purpose. Third party approvals maybe limited to certain sizes within a product range.

Created by: Sarah Lee - Marketing Assistant	Approved by: Alex Smith - Technical Director	Date: June 2019	Page Number: Page 1 of 1
---	--	---------------------------	------------------------------------