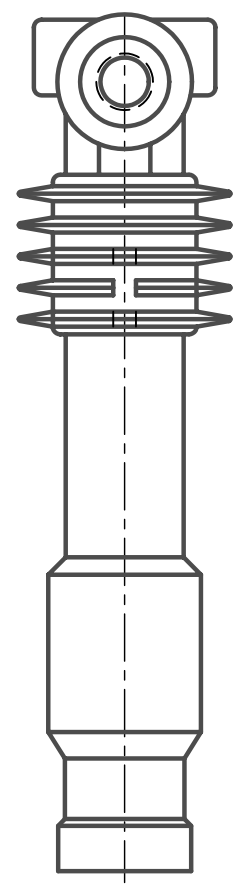
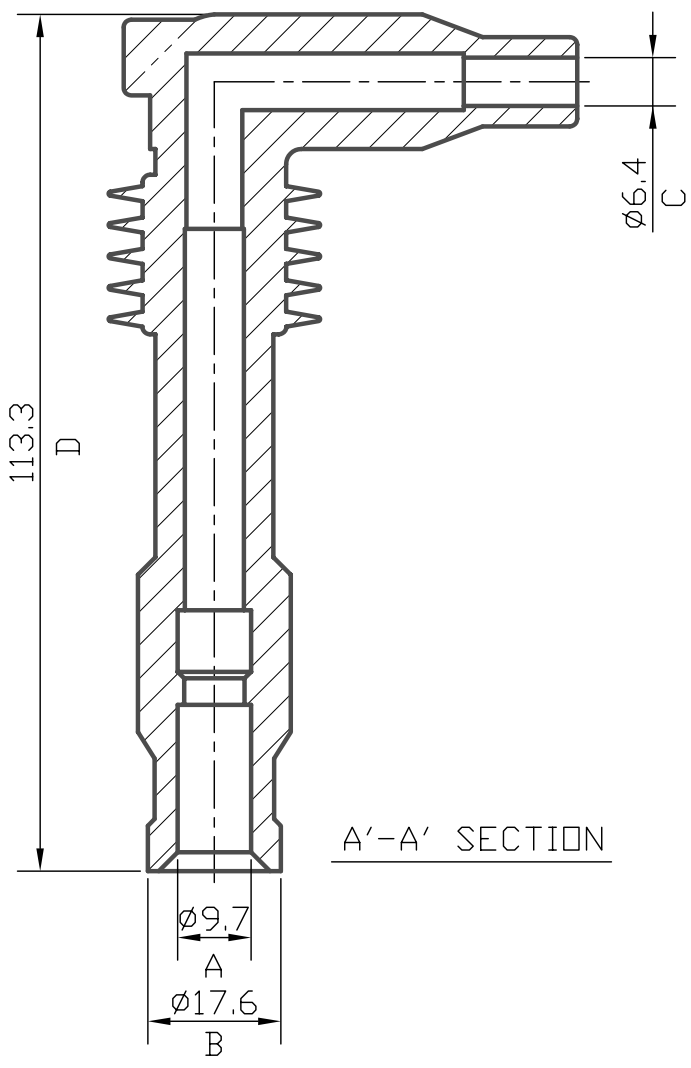
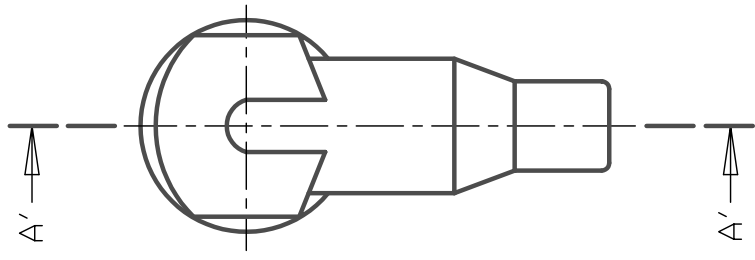


standard tolerances mm	
0.0 ~ 10	±0.2
10.1 ~ 50	±0.3
50.1 ~ 80	±0.4
80.1 ~ 120	±0.5
120.1 upward	±0.7
angle	±3°
耐電壓	25kv/min 以上



C 為檢驗重點

△	△	△	DWG. NAME	DRAWING NO.	
			G26(無電阻)	G26-C	
				Ver.	2
DATE		MATERIAL	SCALE		
03 JAN 05		SILICONE	1=1		
NEWS WORLD WU CO.,LTD			DRAWN BY	DESIGNED BY	
NO.9-1 CHUNG-LUTSUN, 822 A-LIAN			張建峰	黃水輝	
HSING KAOHSIUNG HSIANG TAIWAN R.O.C			CHECKED BY	APPROVAL BY	
TEL:886-7-63611121~4,6320333~6			黃水輝	張明堂	
FAX:886-7-6212671,6320263					