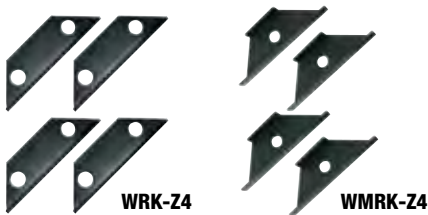


# Enclosure Options

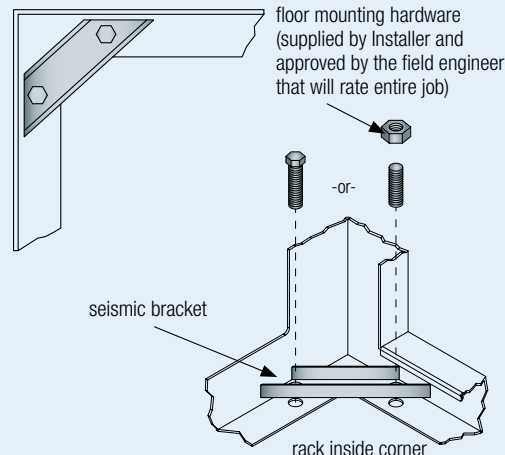
## Seismic Floor Anchor Brackets

When properly installed, seismic floor anchor brackets bring any Seismic Certified DRK, WRK, MRK, VMRK, VRK, ERK, SC, SCQ, SCRK, SCQRK and WMRK Series enclosure to applicable Zone 4, Seismic Design Category (SDC) "D" and Seismic Use Group III Upper Floor Essential Equipment rating and have an  $I_p$  rating of 1.5. Includes four brackets.

Part #	Fits
WRK-Z4	WRK Series
MRK-Z4	MRK, DRK, VMRK Series
VRK-Z4	VRK Series
ERK-Z4	ERK Series
SC-Z4	SC, SCQ, SCRK, SCQRK Series
WMRK-Z4	WMRK Series



**BGR and EGR options are shown on rack series pgs.**

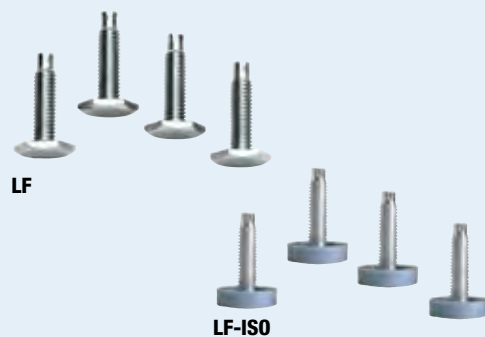


## Leveling Feet

Adjustable leveling feet fit Middle Atlantic Products floor standing steel racks and enclosures (excludes VRK Series). Isolation Leveling Feet feature protective rubber cover to isolate racks from the floor. Flat-blade and hex drive allows for adjustment. Also can be used in conjunction with recessed caster bases for MRK, WRK & DRK Series racks. Set of four. NOTE: Raises enclosure from 1/8" to 1" off floor.

Part #	Description
LF	leveling feet
LF-ISO	isolation leveling feet
LF-WMRK	WMRK isolation leveling feet

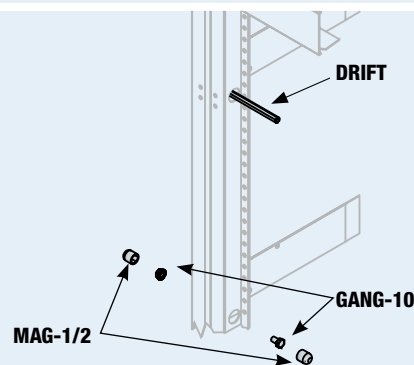
**BGR and EGR options are shown on rack series pgs.**



## Ganging Hardware

Time-saving ganging hardware provides easy field alignment and joining of multi-bay enclosures. Available hardware includes drift pins, 1/2" magnetized sockets and enough 5/16" flange nuts and bolts to gang up to 10 racks or consoles.

Part #	Description
DRIFT	set of two tapered drift pins
MAG-1/2	set of two 1/2" magnetic sockets
GANG-10	5/16" nuts/bolts to gang 10 racks or consoles
GANG-10T	5/16" bolts for ganging BGR via threaded inserts



## Side Panels

The new sides (37 spaces and above) are horizontally split with an easier to manage interlocking design. Same user-installed keylock option for additional security if desired – as is the standard on all our universal side panels. NOTE: Each side panel adds 5/8" to width of rack.

Part #	Description	Fits	Part #	Description	Fits
SPN-24-267	2 full-height panels	fits racks 24 space & 26" or 27" deep	SPN-42-48	4 half-height panels	fits racks 42 space & 48" deep
SPN-24-312	2 full-height panels	fits racks 24 space & 31" or 32" deep	SPN-44-267	4 half-height panels	fits racks 44 space & 26" or 27" deep
SPN-24-36	2 full-height panels	fits racks 24 space & 36" deep	SPN-44-312	4 half-height panels	fits racks 44 space & 31" or 32" deep
SPN-37-267	4 half-height panels	fits racks 37 space & 26" or 27" deep	SPN-44-36	4 half-height panels	fits racks 44 space & 36" deep
SPN-37-312	4 half-height panels	fits racks 37 space & 31" or 32" deep	SPN-44-423	4 half-height panels	fits racks 44 space & 42" or 43" deep
SPN-40-267	4 half-height panels	fits racks 40 space & 26" or 27" deep	SPN-45-36	4 half-height panels	fits racks 45 space & 36" deep
SPN-40-312	4 half-height panels	fits racks 40 space & 31" or 32" deep	SPN-45-42	4 half-height panels	fits racks 45 space & 42" deep
SPN-42-36	4 half-height panels	fits racks 42 space & 36" deep	SPN-45-48	4 half-height panels	fits racks 45 space & 48" deep
SPN-42-42	4 half-height panels	fits racks 42 space & 42" deep	SPN-54-312	4 half-height panels	fits racks 54 space & 31" deep



2 piece side panels (lock in top panel is not shown)



interlocking tabs