



Middle Atlantic Products, Inc.

middleatlantic.com

96-01012 / rev 3a / 03-27-06

GRK Series Broadcast Rack

UL LISTED

EIA/TIA Compliant

Versatile welded gangable rack features superior construction

Features

- Solid frame top and bottom for more robust construction
- 1,500 lb. weight capacity
- Available with horizontal cable management bars for tie-and-slide lacing
- Allows straight vertical cable runs through fully open top and bottom
- Finished edges at top and bottom opening provide better appearance and prevent cable chafing
- Universally hinged door installs with left or right swing, front and back
- Solid, plexi, vented and cupboard style beveled doors
- Numbered rackspace increments simplify and speed equipment installation
- Grounding and bonding studs standard top and bottom
- Finished in a durable black textured powder coat
- UL Listed in the US and Canada



GRK
(shown with
optional horizontal lacer bars)

Architects' and Engineers' Specifications

EIA Compliant 19" equipment rack shall be Middle Atlantic Products model # GRK-XX-XXLRD / GRK-XX-XXHLRD (refer to chart). Overall dimensions of rack shall be ___" H x 22" W x ___" D with ___ useable rackspaces (refer to chart). Fully welded construction shall provide a 1,500 lb. weight capacity. Top and bottom shall be 13-gauge steel. Rackrail shall be 11-gauge steel with tapped 10-32 holes in universal EIA spacing. Rackrail shall have numbered spaces. Rack shall be of fully welded construction and finished in a durable black textured powder coat. Rack shall be warrantied to be free from defects in material or workmanship under normal use and conditions for the lifetime of the rack. Rack shall be UL Listed in the US and Canada.

OPTIONS

- Top panels, shall be constructed of 16-gauge steel - model # GRK-PVTXX (vented pagoda top), # GRK-VTXX (vented top), # GRK-STXX (solid top), (XX = depth of rack)
- Removable keylocked side panels shall be constructed of 16-gauge steel with recessed lift handles, model # SPNG-XX-YY (XX = # of rackspaces, YY = depth of rack)
- Front & Rear doors shall be reinforced 16-gauge steel, model # GFVFRD-XX (fully vented), GVFRD-XX (partially vented), GPFRD-XX (plexi), GFRD-XX (solid), GCFRD-XX (cupboard) (XX = # of rackspaces)
- Fully welded, 4" riser bases shall be model # RIB-X-GRK-XXB (refer to chart)
- Vertical cable chase organizer shall be model # GCC-XX-YY (XX = # of rackspaces, YY = depth of rack)
- Solid copper, 1" wide buss bar shall be model # BB-GXX-1, (XX = # of rackspaces)
- 1" wide vertical cable lacer strip 6-piece pack shall be model # LACE-GXX-IP, (XX = # of rackspaces)
- Additional rail kit, 11-gauge, 10-32 threaded, sold in pairs, hardware included, model # GRK-RRxx (xx = # of rackspaces)
- Support angles for raised floor installation shall be model # GANGLE-x (refer to chart), 11-gauge steel

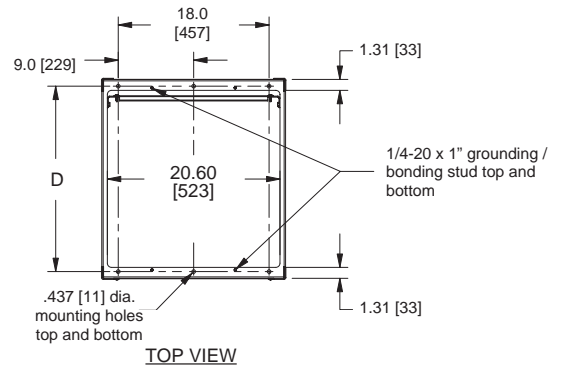
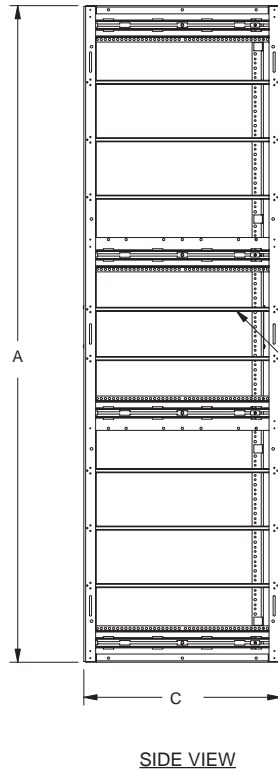
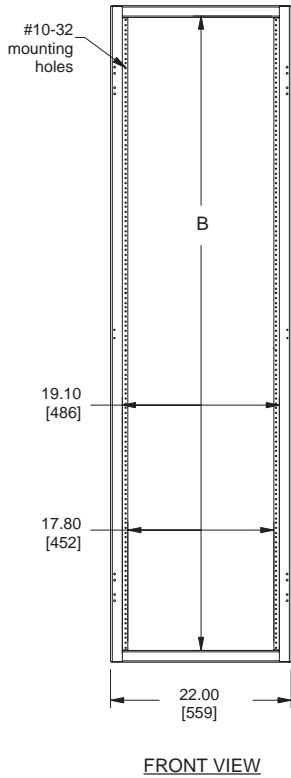
Engineered Mounting Solutions

US: New Jersey • California • Illinois • Voice: 973-839-1011 Fax: 973-839-1976 • middleatlantic.com
Canada: Ontario • British Columbia • Voice: 613-836-2501 Fax: 613-836-2690 • middleatlantic.ca

96-01012 / rev 3a / 03-27-06 / GRK Series

GRK basic dimensions

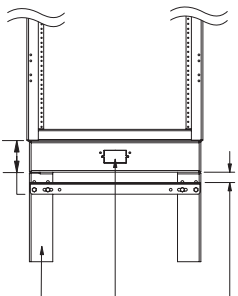
All dimensions in inches unless otherwise noted [All dimensions in brackets are millimeters]



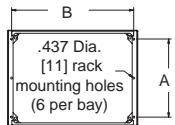
Part #	A Overall Height	B Useable Rackspace	C Overall Depth	D Mounting Hole Depth	Lacer Bars
GRK-44-24LRD	80.00 [2032]	44	24.00 [609]	22.10 [562]	no
GRK-44-24HLRD	80.00 [2032]	44	24.00 [609]	22.10 [562]	yes
GRK-44-30LRD	80.00 [2032]	44	30.00 [762]	28.10 [714]	no
GRK-44-30HLRD	80.00 [2032]	44	30.00 [762]	28.10 [714]	yes
GRK-44-36LRD	80.00 [2032]	44	36.00 [914]	34.10 [867]	no
GRK-44-36HLRD	80.00 [2032]	44	36.00 [914]	34.10 [867]	yes
GRK-48-30LRD	87.00 [2210]	48	30.00 [762]	28.10 [714]	no
GRK-48-30HLRD	87.00 [2210]	48	30.00 [762]	28.10 [714]	yes
GRK-48-36LRD	87.00 [2210]	48	36.00 [914]	34.10 [867]	no
GRK-48-36HLRD	87.00 [2210]	48	36.00 [914]	34.10 [867]	yes
GRK-52-30LRD	94.00 [2388]	52	30.00 [762]	28.10 [714]	no
GRK-52-30HLRD	94.00 [2388]	52	30.00 [762]	28.10 [714]	yes
GRK-52-36LRD	94.00 [2388]	52	36.00 [914]	34.10 [867]	no
GRK-52-36HLRD	94.00 [2388]	52	36.00 [914]	34.10 [867]	yes

GRK RIB (Riser Base) dimensions

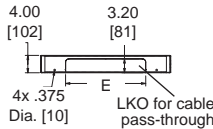
FRONT VIEW



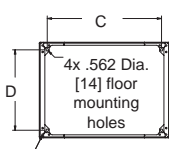
TOP VIEW



SIDE VIEW



BOTTOM VIEW



Optional riserbase feet* model # VFEET -X-X
 Electrical box laser knockout on front and rear of rib
 Optional GRK angle adjustment range from .33 [8] to 1.33 [34] below bottom of RIB (kit includes 2 side and 2 front / rear angles) model # GANGLE -X-X

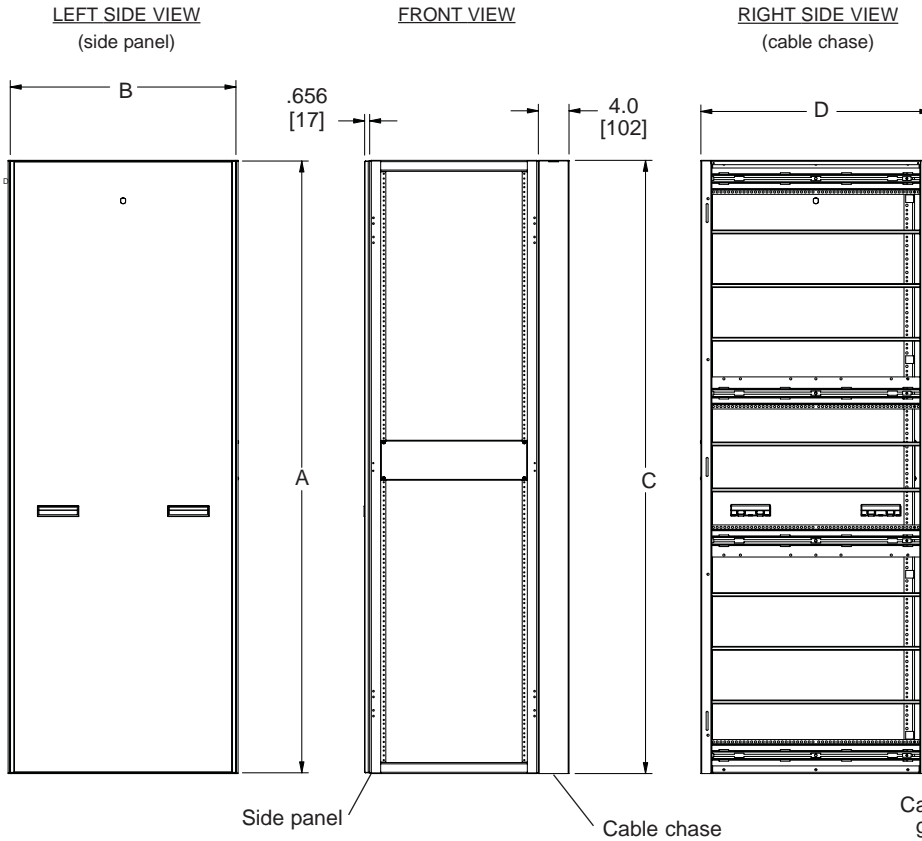
Part #	A Rack Mounting Holes width	B Rack Mounting Holes Depth	C Floor Mounting Holes Depth	D Floor Mounting Holes Width	E Knockout Width	# of Feet	# of Racks Accommodated	# of Electrical Box LKO (Front/Rear)	Optional Feet*	Optional Angle Kit
RIB-1-GRK-24B	18.00 [457]	22.10 [562]	20.30 [517]	18.50 [471]	13.50 [342]	4	1	1/1	VFEET-1-12	GANGLE-1-24
RIB-1-GRK-30B	18.00 [457]	28.10 [714]	26.30 [669]	18.50 [471]	18.50 [469]	4	1	1/1	VFEET-1-12	GANGLE-1-30
RIB-1-GRK-36B	18.00 [457]	34.10 [867]	32.30 [821]	18.50 [471]	24.50 [622]	4	1	1/1	VFEET-1-12	GANGLE-1-36
RIB-2-GRK-24B	40.00 [1017]	22.10 [562]	20.30 [517]	40.60 [1031]	13.50 [342]	6	2	2/2	VFEET-2-12	GANGLE-2-24
RIB-2-GRK-30B	40.00 [1017]	28.10 [714]	26.30 [669]	40.60 [1031]	18.50 [469]	6	2	2/2	VFEET-2-12	GANGLE-2-30
RIB-2-GRK-36B	40.00 [1017]	34.10 [867]	32.30 [821]	40.60 [1031]	24.50 [622]	6	2	2/2	VFEET-2-12	GANGLE-2-36
RIB-3-GRK-24B	62.10 [1577]	22.10 [562]	20.30 [517]	62.60 [1590]	13.50 [342]	8	3	3/3	VFEET-3-12	GANGLE-3-24
RIB-3-GRK-30B	62.10 [1577]	28.10 [714]	26.30 [669]	62.60 [1590]	18.50 [469]	8	3	3/3	VFEET-3-12	GANGLE-3-30
RIB-3-GRK-36B	62.10 [1577]	34.10 [867]	32.30 [821]	62.60 [1590]	24.50 [622]	8	3	3/3	VFEET-3-12	GANGLE-3-36
RIB-4-GRK-24B	84.40 [2143]	22.10 [562]	20.30 [517]	84.60 [2150]	13.50 [342]	10	4	4/4	VFEET-4-12	GANGLE-4-24
RIB-4-GRK-30B	84.40 [2143]	28.10 [714]	26.30 [669]	84.60 [2150]	18.50 [469]	10	4	4/4	VFEET-4-12	GANGLE-4-30
RIB-4-GRK-36B	84.40 [2143]	34.10 [867]	32.30 [821]	84.60 [2150]	24.50 [622]	10	4	4/4	VFEET-4-12	GANGLE-4-36
RIB-5-GRK-24B	106.2 [2696]	22.10 [562]	20.30 [517]	106.70 [2710]	13.50 [342]	12	5	5/5	VFEET-5-12	GANGLE-5-24
RIB-5-GRK-30B	106.2 [2696]	28.10 [714]	26.30 [669]	106.70 [2710]	18.50 [469]	12	5	5/5	VFEET-5-12	GANGLE-5-30
RIB-5-GRK-36B	106.2 [2696]	34.10 [867]	32.30 [821]	106.70 [2710]	24.50 [622]	12	5	5/5	VFEET-5-12	GANGLE-5-36

*Custom height VFEET available, please call for details



GRK Side Panels and Cable Chase dimensions

All dimensions in inches unless otherwise noted [All dimensions in brackets are millimeters]



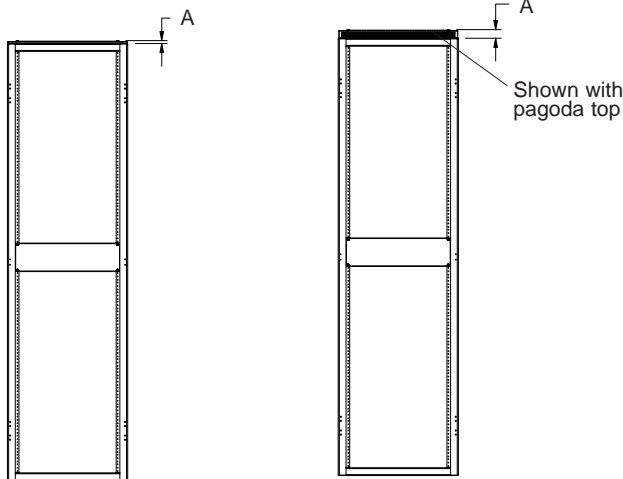
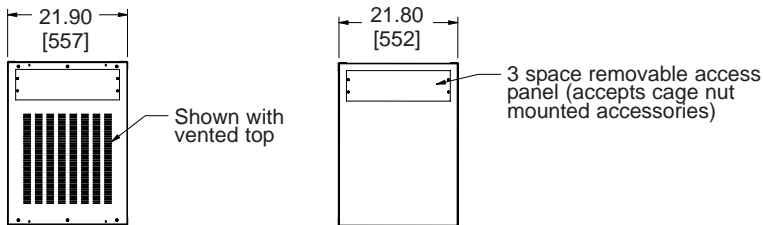
Part #	A Side Panel Height	B Side Panel Depth
SPNG-44-24	79.80 [2027]	23.40 [595]
SPNG-44-30	79.80 [2027]	29.40 [747]
SPNG-44-36	79.80 [2027]	35.40 [900]
SPNG-48-30	86.80 [2205]	29.40 [747]
SPNG-48-36	86.80 [2205]	35.40 [900]
SPNG-52-30*	46.90 [1191]	29.40 [747]
SPNG-52-36*	46.90 [1191]	35.40 [900]

* Side panels feature split design

Part #	C Cable Chase Height	D Cable Chase Depth
GCC-44-24	80.00 [2032]	24.00 [609]
GCC-44-30	80.00 [2032]	30.00 [762]
GCC-44-36	80.00 [2032]	36.00 [914]
GCC-48-30	87.00 [2210]	30.00 [762]
GCC-48-36	87.00 [2210]	36.00 [914]
GCC-52-30	94.00 [2388]	30.00 [762]
GCC-52-36	94.00 [2388]	36.00 [914]

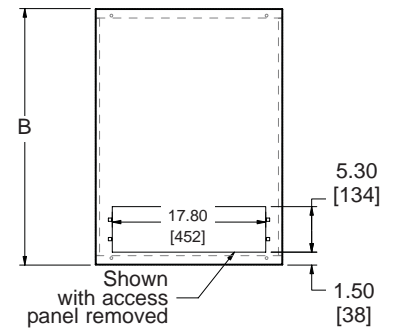
Cable chase accepts side panel or ganging to additional GRK rack

GRK Top Option dimensions



GRK-VTXX
GRK-STXX

GRK-PVTXX

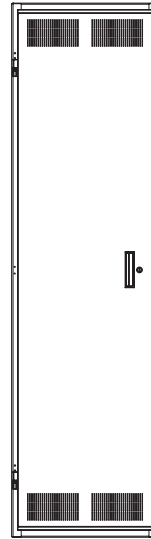
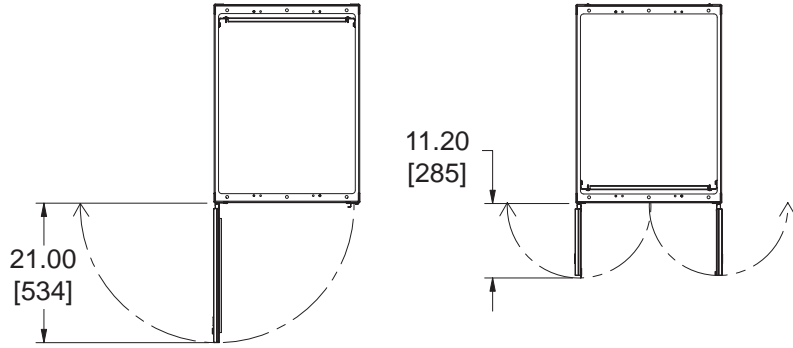


Part #	A Top option height	B Top option depth	Description
GRK-PVT24	1.60 [40]	23.70 [603]	Vented
GRK-PVT30	1.60 [40]	29.70 [755]	Vented
GRK-PVT36	1.60 [40]	35.70 [908]	Pagoda
GRK-VT24	.50 [14]	23.70 [603]	Vented
GRK-VT30	.50 [14]	29.70 [755]	Vented
GRK-VT36	.50 [14]	35.70 [908]	Vented
GRK-ST24	.50 [14]	23.70 [603]	Solid
GRK-ST30	.50 [14]	29.70 [755]	Solid
GRK-ST36	.50 [14]	35.70 [908]	Solid

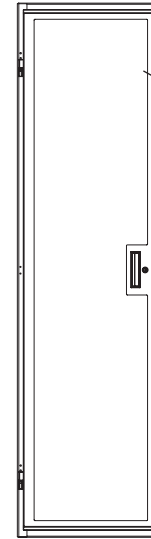


GRK Door dimensions

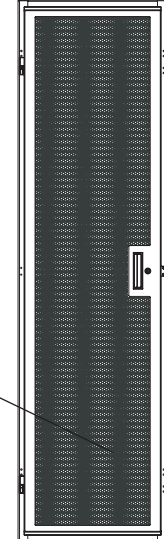
All dimensions in inches unless otherwise noted [All dimensions in brackets are millimeters]



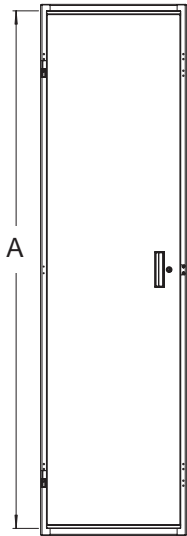
GFVFRD-44
Shown



GPFRD-44
Shown



GVFRD-44
Shown



GFRD-44
Shown



GCFRD-44
Shown

Smoked
plexi

Full
vent

Part #	Style	A Door Height
GFRD-44	Solid	78.00 [1980]
GFRD-48	Solid	85.00 [2158]
GFRD-52	Solid	92.00 [2336]
GFVFRD-44	Full Vent	78.00 [1980]
GFVFRD-48	Full Vent	85.00 [2158]
GFVFRD-52	Full Vent	92.00 [2336]
GPFRD-44	Plexi	78.00 [1980]
GPFRD-48	Plexi	85.00 [2158]
GPFRD-52	Plexi	92.00 [2336]
GVFRD-44	Partial Vent	78.00 [1980]
GVFRD-48	Partial Vent	85.00 [2158]
GVFRD-52	Partial Vent	92.00 [2336]
GCFRD-44	Cupboard	78.20 [1987]
GCFRD-48	Cupboard	85.20 [2164]
GCFRD-52	Cupboard	92.20 [2342]

