

## Grommets for Holes in Sheet Metal



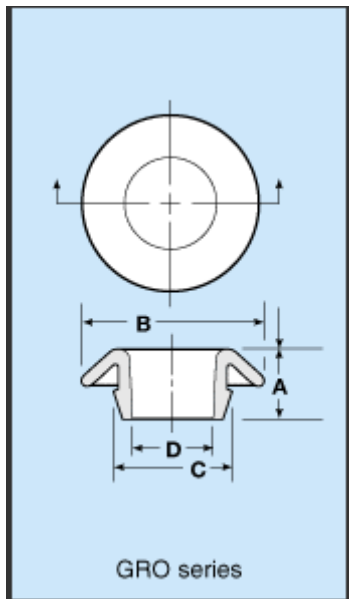
[View Larger Image](#)

« Photo Photo 1 of Photo »

### Grommets for Holes in Sheet Metal - GRO SERIES

Series GRO Grommets provide mechanical protection for hoses, tubing, shafts, rods and cables as they pass through holes in sheet metal. Easily snapped into place, they are held securely by a molded bead until deliberately removed. UL approved for applications up to 221°F (105°C).

Material: FlexTemp (Thermoplastic Rubber)  
Color: Black



### To place an order:

1. select unit of measure, color and quantity
2. select either "Buy item" (to purchase) or "Sample" (for a free sample)
3. Click red "Add to Cart" button to add your selected items to the shopping cart
4. View Cart (top right) when ready to place your order and checkout.

Caplug No	Dimension A	Dimension B	Dimension C	Dimension D	Hole Size IN	Metal Thickness IN
GRO-1/2-UL	0.28	0.81	0.54	0.41	0.50	.03-.08
GRO-5/8-UL	0.31	0.93	0.66	0.52	0.62	.03-.08
GRO-3/4-UL	0.35	1.06	0.79	0.65	0.75	.03-.08
GRO-7/8-UL	0.35	1.19	0.91	0.77	0.87	.03-.08
GRO-1-UL	0.35	1.32	1.04	0.89	1.00	.03-.08
GRO-1 1/4-UL	0.35	1.60	1.29	1.12	1.25	.03-.08