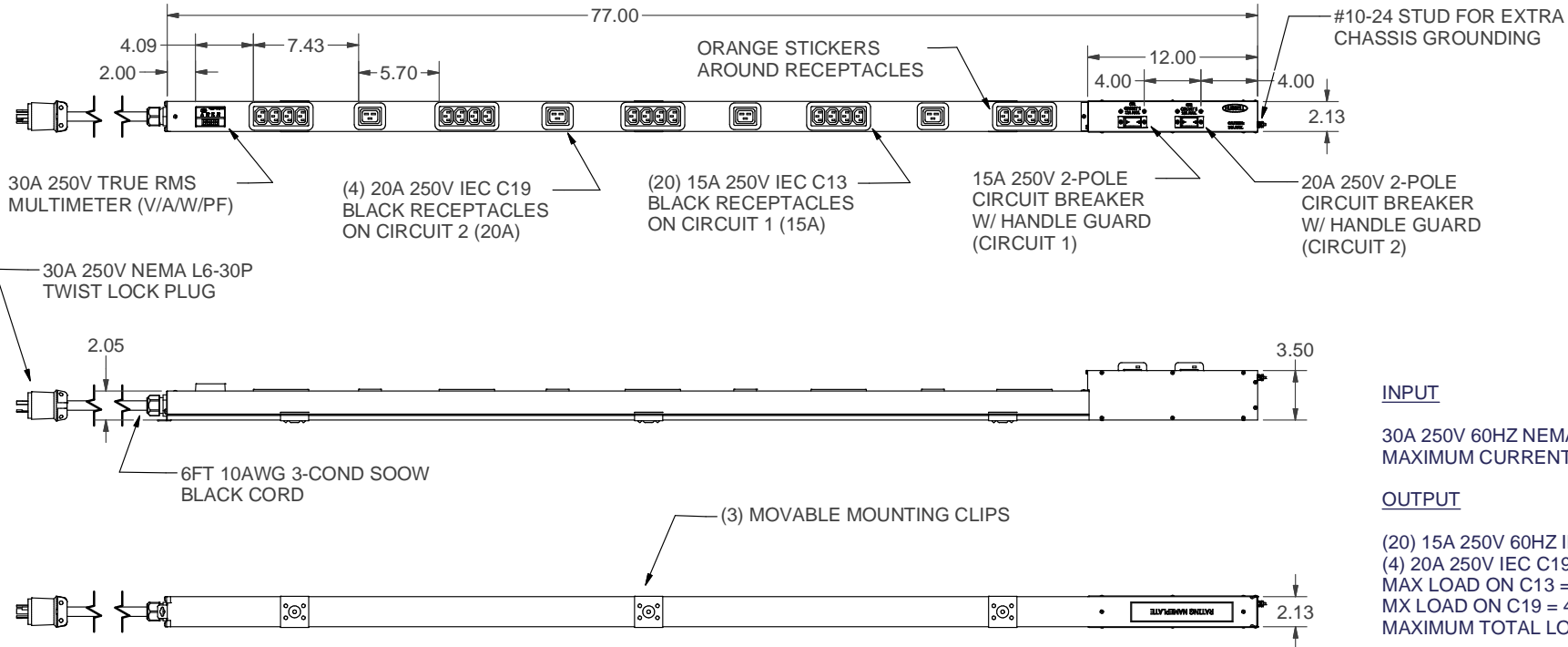


# CUSTOM PRODUCT

YOU ARE HEREBY NOTIFIED THAT ANY DISSEMINATION, DISCLOSURE, COPYING OR DISTRIBUTION OF THE IDEAS, INFORMATION OR DESIGNS THEREIN SHOWN WITHOUT OUR WRITTEN PERMISSION IS STRICTLY PROHIBITED.

**CUSTOMER APPROVAL:**  AS IS  WITH NOTED CHANGES




**INPUT**

30A 250V 60HZ NEMA L6-30P  
MAXIMUM CURRENT DRAW = 24A

**OUTPUT**

(20) 15A 250V 60HZ IEC C13  
(4) 20A 250V IEC C19  
MAX LOAD ON C13 = 3000VA (12A @ 250V)  
MX LOAD ON C19 = 4000VA (16A @ 250V)  
MAXIMUM TOTAL LOAD = 6000VA (24A @ 250V)

ETL REF No. H1V7706L7B24VM

 CERTIFIED TO CAN/CSA STD  
C22.2 No. 60950-1-03  
CONFORMS TO UL STD 60950-1

DESCRIPTION: 77" H1V, 6FT 10/3SO CORD, L6-30P, (20) C13, (4) C19, 15A & 20A BRKR, METER

POWER: 30A 250V 60HZ NEMA L6-30P

FINISH: BLACK MATERIAL: Aluminum

 **HUBBELL CANADA LP**  
870 BROCK ROAD SOUTH  
PICKERING ONTARIO, L1W 1Z8  
WWW.HUBBELLONLINE.COM

CAT No: H1V7706L7B24A17449

DRWN BY: SR PROJ'T NO:

APR'D BY: RC DRAWING NO: A17449

DATE: 07/29/2014 SHEET: 1 of 1 SCALE: NTS

Customer name: \_\_\_\_\_

Customer Signature: \_\_\_\_\_

Company Name and Position: \_\_\_\_\_

Contact number: \_\_\_\_\_

Date: \_\_\_\_\_

Custom Products Are Non-Cancellable & Non-Returnable

**NOTES:**

1. ALL DIMENSIONS ARE IN INCHES W/ +/-0.06" TOLERANCE UNLESS OTHERWISE NOTED.

2. THIS POWER BAR MUST BE PLUGGED INTO A CIRCUIT THAT HAS OVERCURRENT PROTECTIVE DEVICE RATED AT NO MORE THAN 125% OF MAXIMUM CURRENT DRAW.

