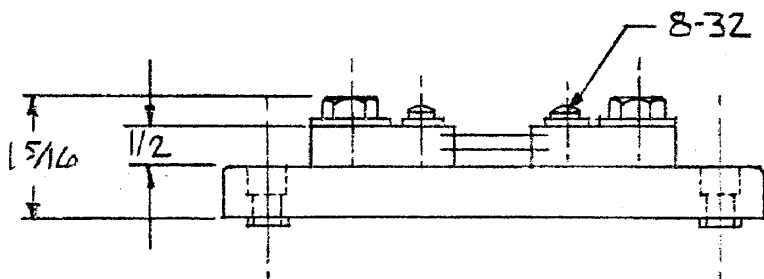
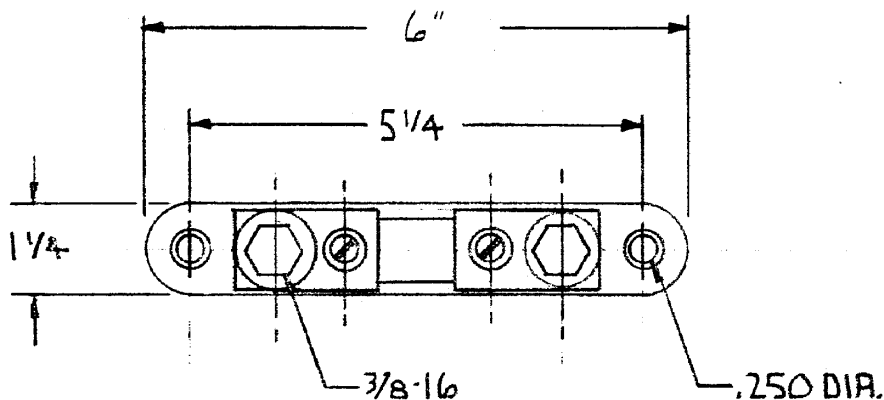


PART NUMBER

S-1



APR 20 1979

SPEC.

- 1. 50 AMP. MAX. CURRENT
- 2. 50 MV MAX. VOLTAGE OUTPUT
- 3. 4 TERMINAL
- 4. $\pm 1\%$ ACCURACY

NOTES:

△ SUPPLIED WITH CABLE

MFR.

MODEL

△ SIMPSON ELECTRIC Co
EMPRO

6709
HA 50-50

LTR	REVISIONS	APP.	DATE	DRN. DC	DATE
A	PCM 1699 ISSUED	MWU	5-29-73	CKD. DW	DATE 5-26-73
B	ECO 4175	T.G.	07-73	APP. <i>R/W</i>	DATE 6-14-73
C	4663 <i>ADDED VENDOR</i>	DW	2-12-75		
TITLE				PART NUMBER	
SHUNT, PORTABLE				S-1	



KEITHLEY
INSTRUMENTS
CLEVELAND, OHIO