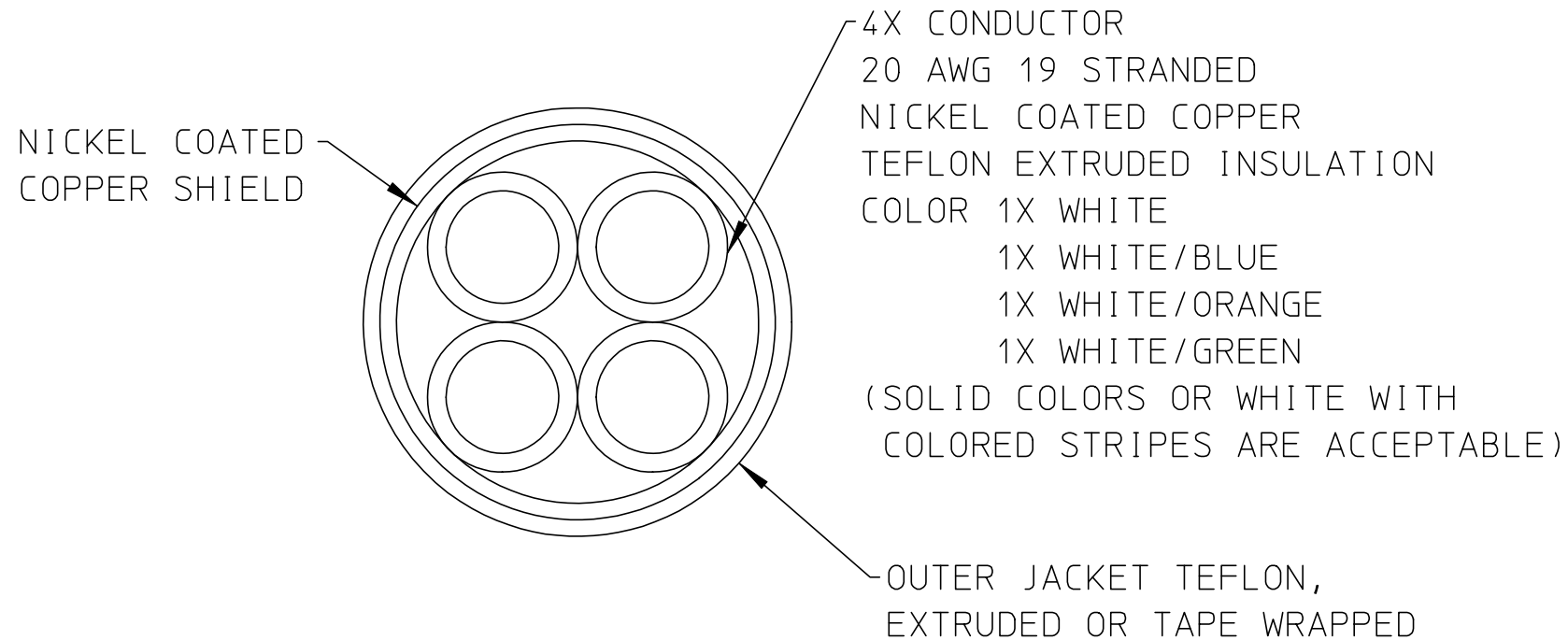


NOTICE TO ALL PERSONS RECEIVING THIS DRAWING
 THIS DRAWING IS ONLY CONDITIONALLY ISSUED, AND NEITHER RECEIPT NOR POSSESSION THEREOF CONFERS OR TRANSFERS ANY RIGHT IN, OR LICENSE TO USE THE SUBJECT MATTER OF THE DRAWING OR ANY DESIGN OR TECHNICAL INFORMATION SHOWN THEREON. NOR ANY RIGHT TO REPRODUCE THIS DRAWING OR ANY PART THEREOF EXCEPT FOR MANUFACTURE BY VENDORS FOR HARCO LABORATORIES INC AND FOR MANUFACTURE UNDER THE CORPORATION'S WRITTEN LICENSE. NO RIGHT TO REPRODUCE THIS DRAWING IS GRANTED UNLESS BY WRITTEN AGREEMENT WITH OR WRITTEN PERMISSION FROM HARCO LABORATORIES INC


ECP	ECR	REL DATE	REV. LET.	REVISION	REV. BY	CHK BY	APPROVED BY		
							ENG	M.E.	QA
		8/26/98	-	SEE NDRA 23593-006-; NEW RELEASE.	JMR	-	BD	MW	JWD
		2/23/04	A	SEE DCRA 23593-000B.	WAC	WAC	PC	JZ	AH
		3/30/07	B	SEE DCRA 23593-000C.	RFP	RFP	RCG	PC	JSP



NOTES:

- CABLE TO MEET THE REQUIREMENTS OF M27500-20RE4N06 FOR:
 A. CONDUCTOR CONSTRUCTION.
 B. CABLE JACKET INSULATION.
 C. SHIELD APPLICATION.
 D. ELECTRICAL REQUIREMENTS.
- MARKER TAPE IDENTIFICATION IS NOT REQUIRED IN THIS CABLE.
- SOLID COLOR CODING IS ACCEPTABLE.
- CABLES SHALL BE SPOOLED ON PLASTIC REELS WITH INCREMENTAL LENGTHS NOT SHORTER THAN 250 FEET.

23593-006
 PART NUMBER

		UNLESS OTHERWISE SPECIFIED: DIMENSIONS ARE IN INCHES TOLERANCES ARE: DECIMALS ±.010 FRACTIONS ±1/32 ANGLES ±2° BREAK EDGES .005-.020 FILLETS TO BE .005-.020 ALL DIAMETERS \varnothing .010 DO NOT SCALE DRAWING	APPROVALS		DATE	 Laboratories, Inc. BRANFORD, CT 06405-0010	TITLE		
			DRAWN	JMR	6/2/98		CABLE, ELECTRICAL, 4 COND, 20 GA (M27500)		
		MATERIAL SPEC	CHECKED	-		SIZE	CAGE CODE	DRAWING NO.	REV.
			ENGR	-					
		FINISH SPEC	DE	BD	6/12/98	SCALE		SHEET 1 OF 1	
NEXT ASSEMBLY				M.E.	MW	8/21/98	NONE		
APPLICATION			QA	JWD	8/22/98				
			PREPARED UNDER CONTRACT						
			FURNISHED UNDER CONTRACT						