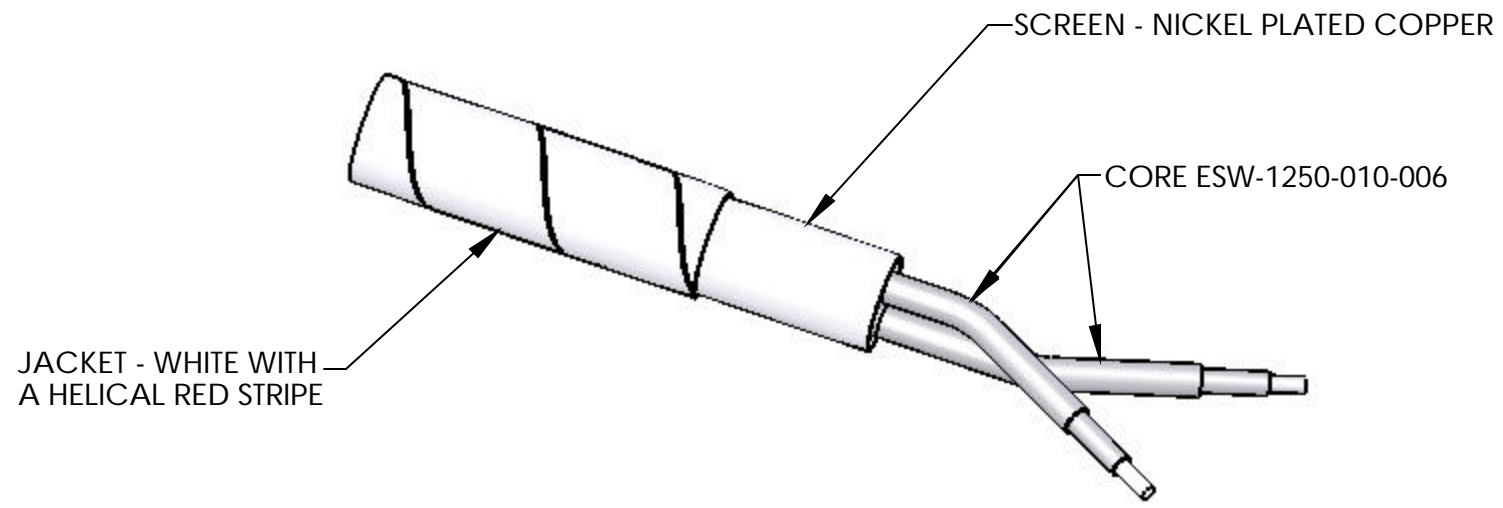


NOTICE TO ALL PERSONS RECEIVING THIS DRAWING
 THIS DRAWING IS ONLY CONDITIONALLY ISSUED, AND NEITHER RECEIPT NOR POSSESSION THEREOF CONFERS OR TRANSFERS ANY RIGHT IN, OR LICENSE TO USE THE SUBJECT MATTER OF THE DRAWING OR ANY DESIGN OR TECHNICAL INFORMATION SHOWN THEREON. NOR ANY RIGHT TO REPRODUCE THIS DRAWING OR ANY PART THEREOF EXCEPT FOR MANUFACTURE BY VENDORS FOR HARCO LABORATORIES INC AND FOR MANUFACTURE UNDER THE CORPORATION'S WRITTEN LICENSE. NO RIGHT TO REPRODUCE THIS DRAWING IS GRANTED UNLESS BY WRITTEN AGREEMENT WITH OR WRITTEN PERMISSION FROM HARCO LABORATORIES INC

ECP	ECR	REL DATE	REV. LET.	REVISION	REV. BY	CHK BY	APPROVED BY		
							DE	M.E.	QE
		02-28-08	-	SEE DCRA 28855-000-	JAV	JAV	RCG	MCJ	JSP

DESCRIPTION:

- CONDUCTOR - 006 EUROPEAN ASSOCIATION OF AEROSPACE INDUSTRIES NICKEL PLATED COPPER ALLOY
- INSULATION - FIREPROOF INSULATION
- SECOND INSULATION - SINTERED PTFE TAPE .063 MIN/.079 MAX OD
- BRAID - NPC
- JACKET - WHITE WITH A HELICAL RED STRIPE SINTERED PTFE TAPE WRAP .200 NOM OD



NOTES:

- 1. WIRE MUST BE PURCHASED FROM ROLLS ROYCE APPROVED SOURCE:
 BELDEN, UK
 DISTRIBUTOR - DAX INTERNATIONAL

HARCO P/N	ROLLS ROYCE P/N
28855-000	ESW-1252-022-006

UNLESS OTHERWISE SPECIFIED:
 DIMENSION ARE IN INCHES.
 TOLERANCES ARE:
 DECIMALS: ±.010
 FRACTIONS: ±1/32
 ANGLES: ±2°
 ALL DIAMETERS \varnothing .010
 BREAK EDGES: .005-.020
 FILLETS TO BE: .005-.020
 SURFACE FINISH: 125 ✓

APPROVALS	DATE
DRAWN BY: JAV	02-06-08
CHECKED BY: JAV	02-06-08
D.E.: RCG	02-26-08
M.E.: MCJ	02-26-08
Q.A.: JSP	02-26-08

HARCO Laboratories, Inc.
 BRANFORD, CT 06405-0010
 TITLE: WIRE, 2 COND, ELECT,
 ESW-1252-022-006

MATERIAL SPEC:	FINISH SPEC:	SIZE B	CAGE CODE 00060	DRAWING NUMBER 28855-000	REV -
		SCALE: NONE	SHEET 1 of 1		