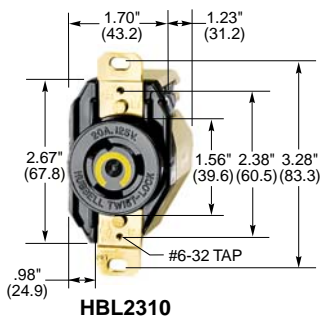


## TWIST-LOCK® Devices

### 2 Pole, 3 Wire Grounding

20 Ampere, 125, 250 Volts and 277 Volts AC

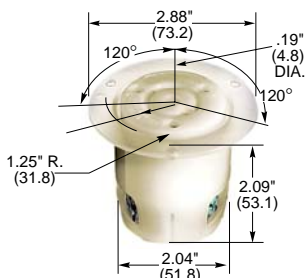
Receptacles, INSULGRIP® Connector Bodies, Flanged Devices and Plugs



**HBL2310**



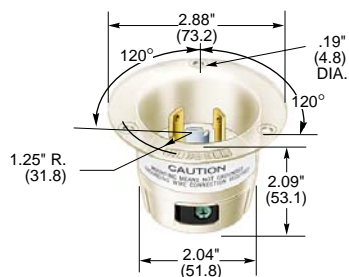
**HBL2313**



**HBL2316**



**HBL2311**



**HBL2315**



NEMA L5-20R  
20A 125V  
UL/CSA  
1 HP



NEMA L6-20R  
20A 250V  
UL/CSA  
2 HP



NEMA L7-20R  
20A 277V AC  
UL/CSA  
2 HP

### Single Flush Receptacles, Back and Side Wired

Description	Catalog Numbers		
Black nylon face.	<b>HBL2310</b>	<b>HBL2320</b>	<b>HBL2330</b>
Isolated ground, orange nylon face.	<b>IG2310</b>	<b>IG2320</b>	—
Corrosion resistant, yellow nylon face.	<b>HBL23CM10</b>	—	—

### Insulgrip Connector Bodies IP20 SUITABILITY

Description	Catalog Numbers		
Black and white nylon.	<b>HBL2313</b>	<b>HBL2323</b>	<b>HBL2333</b>
Corrosion resistant, yellow nylon.	<b>HBL23CM13</b>	<b>HBL23CM23</b>	—

Note: Cord clamp range .360"-.930" (9-24).

### Insulgrip Flanged Receptacles

Description	Catalog Numbers		
Nylon casing, back wired.	<b>HBL2316</b>	<b>HBL2326</b>	<b>HBL2336</b>



NEMA L5-20P  
20A 125V  
UL/CSA  
1 HP



NEMA L6-20P  
20A 250V  
UL/CSA  
2 HP



NEMA L7-20P  
20A 277V AC  
UL/CSA  
2 HP

### Insulgrip Plugs IP20 SUITABILITY

Description	Catalog Numbers		
Black and white nylon.	<b>HBL2311</b>	<b>HBL2321</b>	<b>HBL2331</b>
Corrosion resistant, yellow nylon.	<b>HBL23CM11</b>	<b>HBL23CM21</b>	—

Notes: Cord grip range .360"-.930" (9-24).  
See page B-73 for Add-A-Shroud™ kit.

### Insulgrip Flanged Inlets

Description	Catalog Numbers		
Nylon casing, back wired.	<b>HBL2315</b>	<b>HBL2325</b>	<b>HBL2335</b>

Notes: See pages B-68 and B-69 for accessories.  
See page B-63 for switched enclosure.  
For technical information see page B-83.  
HP ratings are AC only.  
Only receptacles and plugs are HP rated.