



HUBBELL iStation Audio/Video Connectors, HDMI A-Couplers

iSTATION™ System Front-Loading Footprint.

High Definition Video.

1080p Signal Transmission.

High Quality Gold Connection.

Female 6-wire to Female 6-Wire.

Female-to-female 3" tail.



True HD Video.

HDMI locking termination.

SPECIFICATIONS

- ◆ **Connector:**
HDMI - Female to female 3" tail;
HDMI - Female to female coupler.
Gold-plated 2μ".
Version 1.3.
- ◆ **Audio Signal:**
PCM, DVD-Audio, Super Audio CD, Dolby True HD, DTS-HD Master Audio.
- ◆ **Video Signal:**
480i, 480p, 576i, 576p, 720p, 1080i, 1080p.
- ◆ **Pins:** 19.

CABLE TERMINATION

Cable Type: Standard HDMI cable assemblies.
Note: Can not be field terminated.

- Standard HDMI Distance Limitation:**
- 28 AWG Cable Assemblies 5 meters.
 - 24 AWG Cable Assemblies 12 meters.
 - Always check cable/device manufacturer's specifications.

- Hubbell Distance Limitations:**
- Maximum of 36 feet device to device (Non-Active Hubbell Cable Assemblies).

Hubbell's HDMI couplers provides an easy way to run High Definition Audio/Video from device to device. The high performance, high quality video connection is designed for minimal signal loss delivering true high definition 1080p video to the viewing device.

Hubbell's HDMI 3" tail provides flexibility and ease-of-use for installations that have depth and capacity issues. Hubbell's HDMI couplers fit into a high-density 1 unit iSTATION™ module allowing for 2 additional units to be placed into a single gang faceplate for additional applications.

Create a customized multimedia work station outlet by adding a high-density HDMI coupler along with Hubbell's extensive line of AV connectors, iSTATION™ modules and XCELERATOR™ jacks.

APPLICATIONS SUPPORTED

- ▲ Projectors.
- ▲ Flat panel monitors.
- ▲ Smart whiteboard technology.
- ▲ Game consoles.
- ▲ DVR, DVD, HD DVD, Blu-Ray.
- ▲ Camcorders.
- ▲ Desktop and laptop computers.
- ▲ Multimedia devices.
- ▲ Audio/Video receivers.

CONNECTOR TERM

HDMI: High-Definition Multimedia Interface is a digital audio/video connector interface for transmitting uncompressed digital streams. HDMI connects through digital rights management (DRM) from the source to the device.

INSTALLATION TIPS

Important: Always allow for clearance behind connection location to ensure for proper bend radius with HDMI cable assemblies.

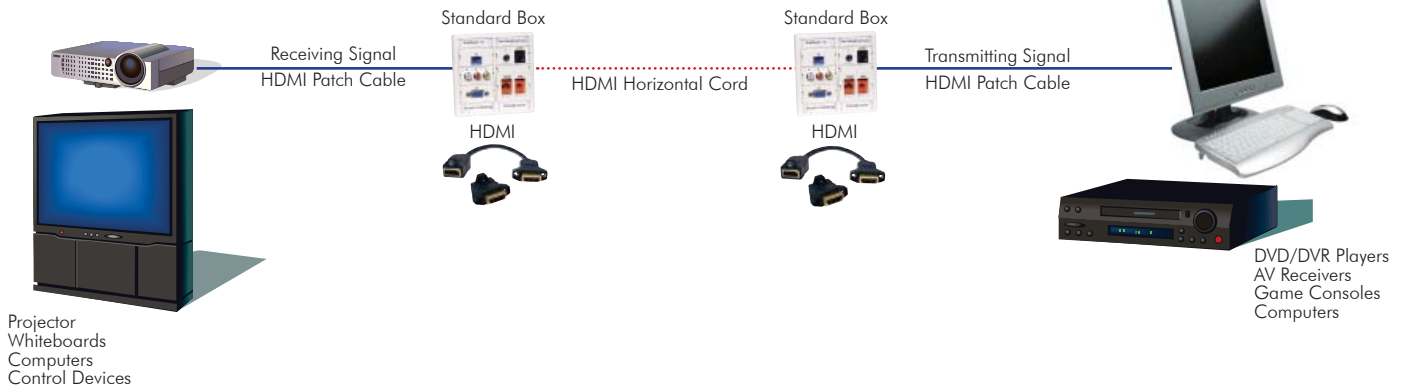
Gold Plating: Gold plating encapsulates the connectors base metal (brass) preventing allowing oxidation/corrosion to form. It also has a more transparent (signal) conductive path over nickel (3x), which is closer to the copper its transmitting over.



TYPICAL APPLICATIONS

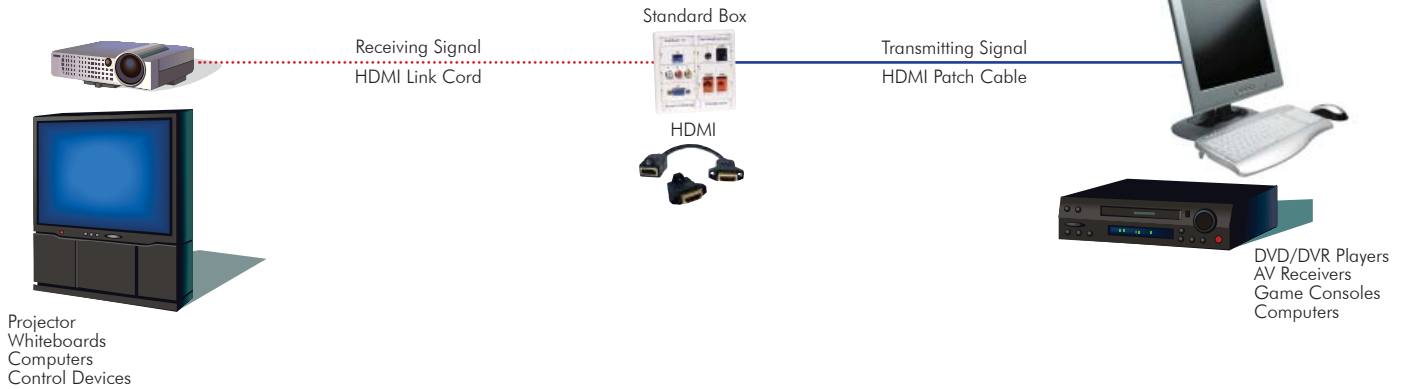
Application 1 - Plate-to-Plate (Coupler to Coupler)

- HDMI(1/10) - 3" Tail Coupler can be used when cable depth constraints are encountered.
 - HDMI(1/10) - Coupler can be used when cable depth constraints are not an issue
 - HDHxxBK – HDMI locking horizontal cord (male screw plug to male screw plug) locks connections in place, not allowing a plug to coupler disconnect.
- Note: Maximum Hubbell non-active channel distance is 36 feet from device-to-device.



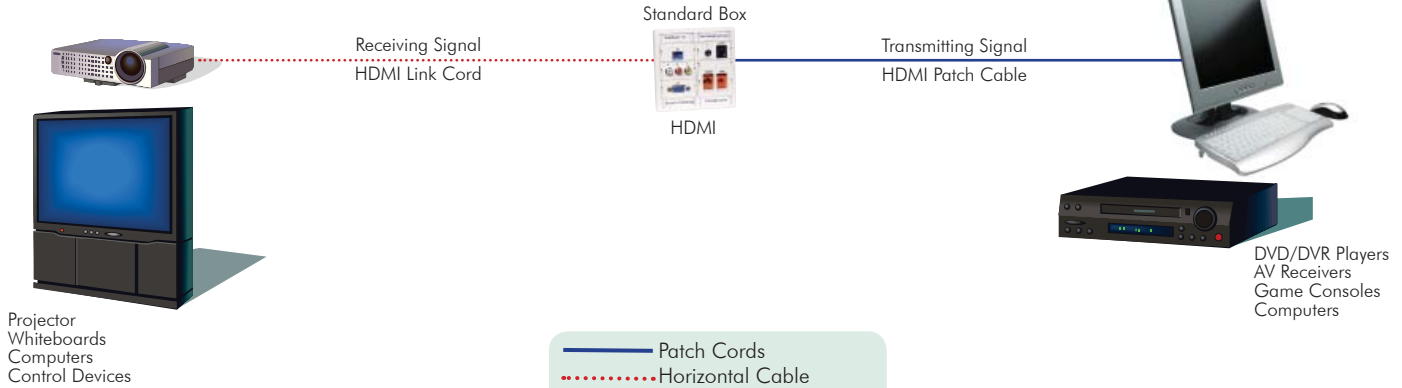
Application 2 - Plate-to-Device (Coupler to Device)

- HDMI(1/10) - 3" Tail Coupler can be used when cable depth constraints are encountered
 - HDMI(1/10) - Coupler can be used when cable depth constraints are not an issue
 - HDLxxBK – HDMI locking Link Cord (male screw plug to male plug) locks connection in place in the plate and plugs directly into the device
- Note: Maximum Hubbell non-active channel distance is 36 feet from device-to-device.



Application 3 - Plate-to-Device (Coupler Link Cord)

- HDCxxBK - Coupler Link cord can be used when cable depth constraints are encountered – Coupler Link Cord (female coupler to male plug) mounts directly into the module/plate/frame and plugs directly into the device, eliminating an extra connection in the channel.
- Note: Maximum Hubbell non-active channel distance is 36 feet from device-to-device.



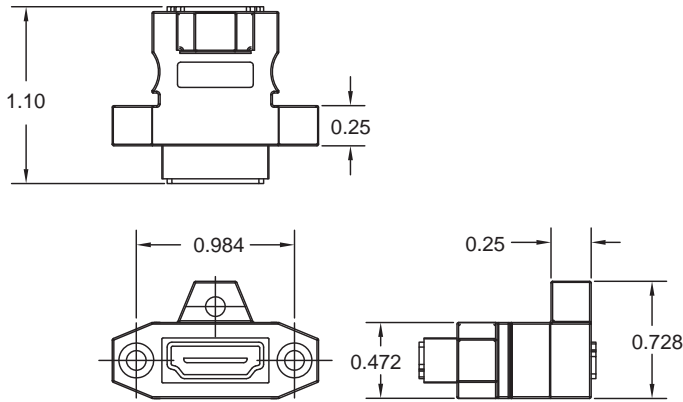
— Patch Cords
- - - Horizontal Cable

HDMI AV Connector
in Hubbell iSTATION™
face plate.

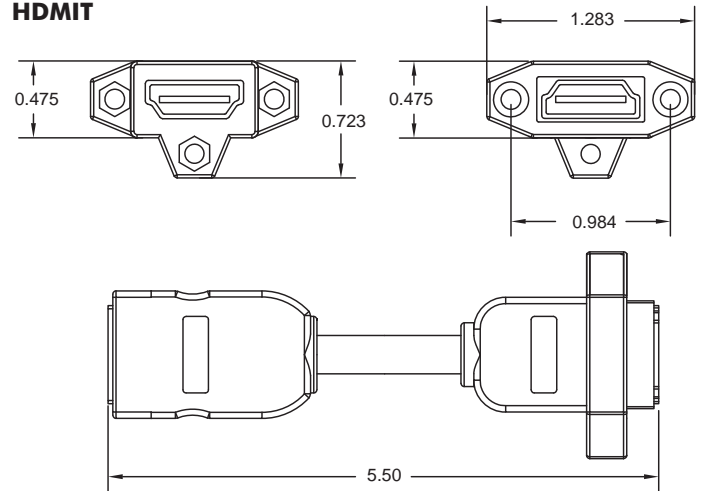


DIMENSIONS

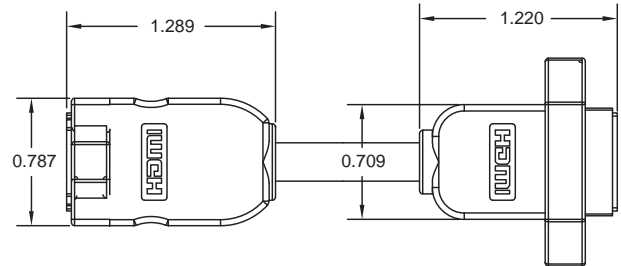
HDMI C



HDMI T



CONNECTOR DEPTH CHART



HDMI CONNECTOR STANDARDS

HDMI Version & Capabilities	1	1.1	1.2/1.2	1.3/1.3a/1.3b
Maximum signal bandwidth (MHz)	165	165	165	340
Maximum TMDS bandwidth (Gbit/s)	4.95	4.95	4.95	10.2
Maximum video bandwidth (Gbit/s)	3.96	3.96	3.96	8.16
Maximum audio bandwidth (Mbit/s)	36.86	36.86	36.86	36.86
Resolutions @ 24bits per pixel	1920x1080p 60Hz	1920x1080p 60Hz	1920x1080p 60Hz	2560x1600p 60Hz
RGB	Yes	Yes	Yes	Yes
YCbCr	Yes	Yes	Yes	Yes
xvYCC	No	No	No	Yes
Deep Color	No	No	No	Yes
Maximum Color Depth (bits per pixel)	24	24	24	48*
Auto lip-sync	No	No	No	Yes
8channel/192 kHz/24-bit audio	Yes	Yes	Yes	Yes
Dolby TrueHD bit stream	No	No	No	Yes
DTS-HD Master Audio bit stream	No	No	No	Yes
Blu-Ray/HD DVD @ full resolution	Yes	Yes	Yes	Yes



AV Connectors, HDMI



Description	Catalog No.
HDMI Coupler, Gold, Female to Female, 1-pk	HDMIC1
HDMI Coupler, Gold, Female to Female, 10-pk	HDMIC10
HDMI 3" Tail, Gold, Female to Female, 1-pk	HDMIT1
HDMI 3" Tail, Gold, Female to Female, 10-pk	HDMIT10

HDMI Horizontal Cords



Description	Catalog No.
HDMI Patch Cord, 24AWG, 3'	HDPC03BK
HDMI Patch Cord, 24AWG, 6'	HDPC06BK

HDMI Horizontal Cords (Connector to Connector)

HDMI Horizontal Cord, 24AWG, 10'	HDH10BK
HDMI Horizontal Cord, 24AWG, 15'	HDH15BK
HDMI Horizontal Cord, 24AWG, 20'	HDH20BK
HDMI Horizontal Cord, 24AWG, 15'	HDH25BK
HDMI Horizontal Cord, 24AWG, 30'	HDH30BK

HDMI Link Cords (Connector to Device)

HDMI Link Cord, 24AWG, 10'	HDL10BK
HDMI Link Cord, 24AWG, 15'	HDL15BK
HDMI Link Cord, 24AWG, 20'	HDL20BK
HDMI Link Cord, 24AWG, 15'	HDL25BK
HDMI Link Cord, 24AWG, 30'	HDL30BK

HDMI Coupler Cords (Coupler to Device)

HDMI Coupler Cord, 24AWG, 10'	HDC10BK
HDMI Coupler Cord, 24AWG, 15'	HDC15BK
HDMI Coupler Cord, 24AWG, 20'	HDC20BK
HDMI Coupler Cord, 24AWG, 15'	HDC25BK
HDMI Coupler Cord, 24AWG, 30'	HDC30BK

Note: Maximum Hubbell non-active channel distance is 36 feet from device-to-device.

Unloaded HDMI 15/9-pin Plates, Frames and Modules

Catalog No.	Description
HDMI 15/9-pin Blank, Unloaded, 1 Unit, 10-pk	IMBDS1XX
HDMI/15/9-pin Blank, Angled Unloaded, 1.5 Unit, 1-pk	IMBDSA15XX
HDMI 15/9-pin AV, Panel Mount Connector, 3.5mm, Blank, 2 Unit, 1-pk	IMB153X2XX
HDMI 15/9-pin, 3.5mm, Blank, 2 Unit 1-pk	IMB15315XX
HDMI 15/p-Pin, Decorator Frame, 1-gang, 1-pk	IMISFB15XX

XX = Housing Colors

"AL" = Almond; "B" = Black; "EI" = Electric Ivory; "GY" = Gray; "LA" = Light Almond; "OW" = Office White; "W" = White.

iSTATION™ COMPATIBLE

Work Station and Cross-Connect Solutions

- iSTATION™ Front-loading Plates
- Decorator Frames
- iSTATION™ UDX Multimedia Panels
- iFRAME® Vertical Patch Panel

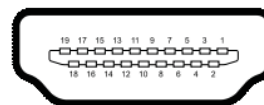


Hubbell Delivery System

- Hubbell SystemOne Poke-Throughs and Floor Boxes
- Hubbell Surface Raceway, Metal and Non-Metallic
- Multi-Connect™ Wall Boxes/Conference Table Boxes



HDMI PIN-OUT



Pin 1	TMDS Data2+	Pin 11	TMDS Clock Shield
Pin 2	TMDS Data2 Shield	Pin 12	TMDS Clock-
Pin 3	TMDS Data2-	Pin 13	CEC
Pin 4	TMDS Data1 +	Pin 14	Reserved (N.C. on device)
Pin 5	TMDS Data1 Shield	Pin 15	SCL
Pin 6	TMDS Data1 -	Pin 16	SDA
Pin 7	TMDS Data0+	Pin 17	DDC/CEC Ground
Pin 8	TMDS Data0 Shield	Pin 18	+5V Power
Pin 9	TMDS Data0-	Pin 19	Hot Plug Detect
Pin 10	TMDS Clock+		

HDMI CONNECTOR TYPES

Type A connector has 19 pins, bandwidth supporting SDTV, EDTV, HDTV, etc. The outside dimensions of the plug is 13.9 mm wide by 4.45 mm high. Type A is electrically compatible with single-link DVI-D.

Type B connector is a higher resolution version defined in HDMI 1.0. Type B has 29 pins (21.2 mm wide by 4.45 mm high), allowing it to carry an expanded video channel for use with very high-resolution future displays – (WQXGA (3200x2048)). Type B is electrically compatible with dual-link DVI-D, but is not in general use.

Type C mini-connector is designed for portable multimedia devices (camcorders, cameras, etc). Outside dimensions (10.42 mm by 2.42 mm). Type C has the same 19-pin configuration as Type A.



Hubbell Premise Wiring

HUBBELL INCORPORATED (Delaware)
14 Lord's Hill Road • Stonington, CT 06378-0901 • (860) 535-8326 • 800-626-0005
Fax: (860) 535-8328 • Internet site: <http://www.hubbell-premise.com>

Worldwide Locations

Hubbell Premise Wiring, Asia Pacific	852-2836-7131	Fax: 852-2836-7132	Hubbell Premise Wiring, Latin America	305-408-4501	Fax: 305-408-8201
Hubbell Canada Inc.	905-839-1138	Fax: 905-839-9108	Hubbell de Mexico, S.A. de C.V.	(5255) 9151-9999	Fax: (5255) 9151-9989
Hubbell Premise Wiring, Central America	506-2260-1616	Fax: 506-260-1616	Hubbell Premise Wiring, Middle East	971-4-393-4192	Fax: 971-4-393-4194
Hubbell Premise Wiring, China	86-21-6374 2660	Fax: 86-21-6374 2799	Hubbell Premise Wiring, Puerto Rico	787-855-1075	Fax: 787-855-3265
Hubbell Premise Wiring, Europe	44-01283 500500	Fax: 44-01283 500400	Hubbell-Taian Co., Ltd., Taiwan	886-2-2522-1862	Fax: 886-2-2522-1872
Hubbell Wiring Systems, India	91-99-0010-3341	Fax: 91-80-4022-4033	Hubbell Premise Wiring, Venezuela	58-212-5156482	Fax: 58-212-6627258
Hubbell Int'l. Inc., Korea Branch	(82 2) 2607 1363	Fax: (82 2) 2603 7386			