

PART NO.	AWG/STR/PLT	O.D.	VOLTAGE RATING	COLOR	COMPOUND NO.
WGT-1508-0	8 (133/29) TPC	.256	15 KVDC	BLACK	0WC02
WGT-1508-1	8 (133/29) TPC	.256	15 KVDC	BROWN	1WC02
WGT-1508-2	8 (133/29) TPC	.256	15 KVDC	RED	2WC02
WGT-1508-3	8 (133/29) TPC	.256	15 KVDC	ORANGE	3WC02
WGT-1508-4	8 (133/29) TPC	.256	15 KVDC	YELLOW	4WC02
WGT-1508-5	8 (133/29) TPC	.256	15 KVDC	GREEN	5WC02
WGT-1508-6	8 (133/29) TPC	.256	15 KVDC	BLUE	6WC02
WGT-1508-7	8 (133/29) TPC	.256	15 KVDC	VIOLET	7WC02
WGT-1508-8	8 (133/29) TPC	.256	15 KVDC	GRAY	8WC02
WGT-1508-9	8 (133/29) TPC	.256	15 KVDC	WHITE	9WC02
WGT-1508-10	8 (133/29) TPC	.256	15 KVDC	NATURAL	10WC02

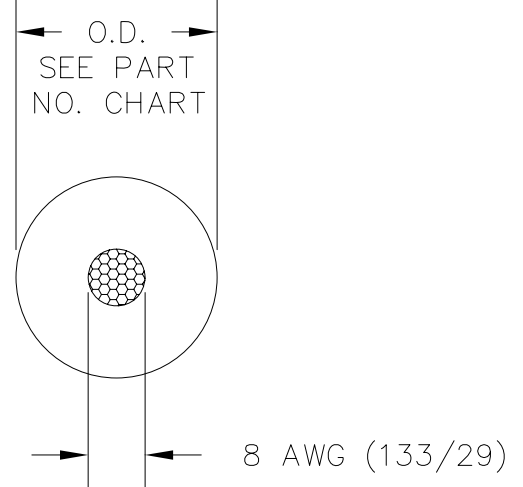
ZONE	LTR	DESCRIPTIONS	DATE	APPROVED

D  
  
  
  
  
  
  
  
  
  
  
  
  
C  
  
  
  
  
  
  
  
  
  
  
  
  
B  
  
  
  
  
  
  
  
  
  
  
  
  
A

D  
  
  
  
  
  
  
  
  
  
  
  
  
C  
  
  
  
  
  
  
  
  
  
  
  
  
B  
  
  
  
  
  
  
  
  
  
  
  
  
A

NOTES (UNLESS OTHERWISE SPECIFIED):

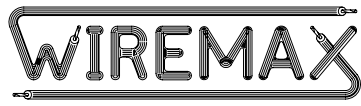
- 1. OPERATING CONDITIONS:  
 VOLTAGE - SEE PART NO. CHART  
 MAXIMUM CURRENT - 49 AMPERES  
 ALTITUDE - SEA LEVEL TO 70,000 FT.  
 TEMPERATURE -  
 -65°C TO +200°C (250°C INTERMITTENT) - SPC WIRE  
 -40°C TO +150°C - TPC WIRE
- 2. MATERIALS AND FINISHES:  
 CONDUCTOR - COPPER STRANDING IN ACCORDANCE WITH ASTM B140-85,  
 SILVER PLATED I.A.W. ASTM B298  
 TIN PLATED I.A.W. ASTM B33  
 INSULATION - SILICONE RUBBER IN ACCORDANCE WITH PROPRIETARY SPECIFICATION.
- 3. VOLTAGE RATINGS ARE CONTINUOUS DC RATINGS.
- 4. CURRENT RATINGS ARE BASED ON SINGLE CONDUCTOR IN FREE AIR.



UNLESS OTHERWISE SPECIFIED DIMENSIONS ARE IN INCHES  
 TOLERANCES ARE:  
 FRACTIONS ± DECIMALS .XX ± ANGLES ± 1°  
 .XXX ± .010

APPLICATION	USED ON	FINISH	MATERIAL
		SEE NOTE 2	
		SEE NOTE 2	
		SEE NOTE 2	
		SEE NOTE 2	
		SEE NOTE 2	

UNLESS OTHERWISE SPECIFIED ALL DIMENSIONS SHOWN ARE BEFORE PLATE DIMENSIONS

PART NO.		DESCRIPTION		DET. NO.
NO. REQ'D.		BILL OF MATERIAL		
CONTRACT NO.		 705 Wamba Ave. Toledo, OH. 43607		
APPROVALS	DATE	TITLE		
DRAWN ZACK KREPS	1-18-06	8 AWG H.V. WIRE SILICONE INSULATED		
CHECKED		SIZE	CODE IDENT NO	DRAWING NO.
		B	ØLE36	WGT-1508
SCALE NONE		VOL. WM 96523		SHEET 1 OF 1