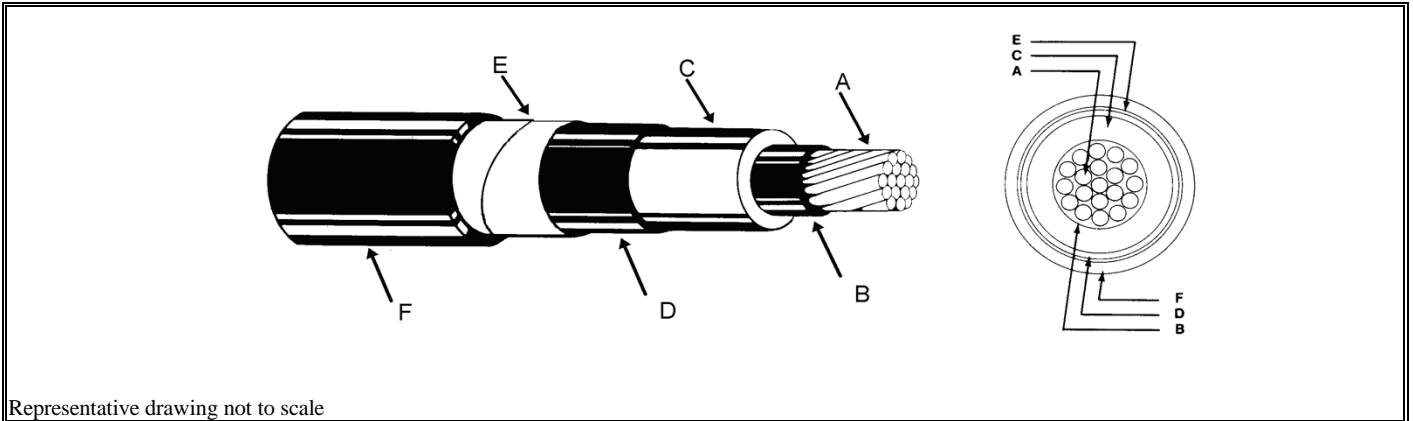


Drawing / Data Sheet

GenFree® Uniblend® EPR/Copper Tape Shield/LZSH Jacket, 15kV(133%), UL Type MV-105



Component Description	Thickness (inches)			Diameter (inches)		
	Min.	Nom.*	Max.	Min.	Nom.*	Max.
A: Conductor 1000 kcmil Class B Compact Strand CU Conductor	--	--	--	1.039	1.060	1.081
B: Conductor Shield Semiconducting Thermoset Polymer	0.020	0.026	--	--	1.112	--
C: Insulation Insulation Level Ethylene Propylene Rubber 133%	0.210	0.220	0.250	1.520	1.552	1.610
D: Insulation Shield Semiconducting Thermoset Polymer	0.024	0.030	0.060	1.570	1.612	1.700
E: Metallic Shield 1 x 1.5 " x 0.005 " Bare Copper Tape	--	0.005	--	--	1.626	--
F: Jacket Overlaying Low-Smoke, Zero-Halogen Polyolefin (LSZH)	0.100	0.110	0.150	--	1.846	--
Single Conductor Finished Cable Nominal Weight: 4219 lb/kft *						

* - Nominal Values are Subject to Manufacturing Tolerances; Bold Font Indicates Minimum Average Values

Customer:	GENFREE® UNIBLEND®	Customer P/N:	Catalog Number:
Specification / Standard:	AEIC CS8, ICEA S-97-682-2007/S-93-639, UL 1072 Type MV-105 "SUN RES FOR CT USE", IEEE 1202/FT4	Prepared By:	Date:
		HQQUJAH	3/25/2011

This document was prepared for a specific purpose and the recipient, by accepting this information, assumes custody and control and agrees to take reasonable precautions that (a) this document will not be copied or reproduced, in whole or in part, or its contents revealed in any manner to any person, except to meet the specific purpose for which the document was delivered, and (b) that any features of this document will not be incorporated into any other projects without the express written permission of an officer of General Cable Corporation. This information has been calculated based on known formulae. The values are believed to be accurate and concise. Although they are mathematically derived, normal dimensional tolerances in actual cable construction and variations in the installation conditions may lead to differences between the indicated values and actual measured values.