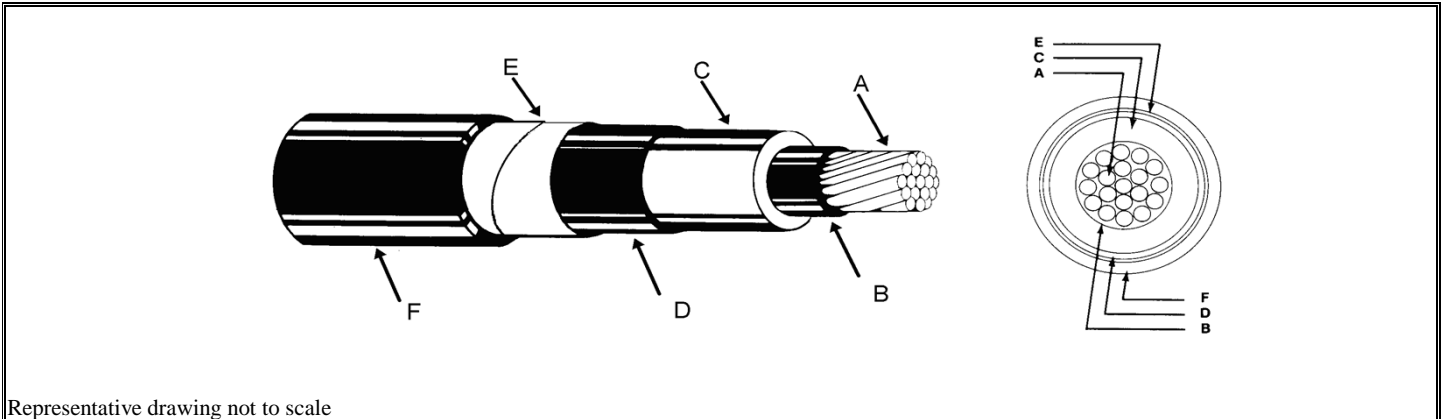


## Drawing / Data Sheet

### GenFree® Uniblend® EPR/Copper Tape Shield/LSZH Jacket, 8kV(133%), UL Type MV-105



Component Description	Thickness (inches)			Diameter (inches)		
	Min.	Nom.*	Max.	Min.	Nom.*	Max.
<b>A: Conductor</b> 1000 kcmil Class B Compact Stranded Bare CU Conductor	--	--	--	1.039	1.060	1.081
<b>B: Conductor Shield</b> Semiconducting Thermoset Polymer	0.020	0.026	--	--	1.112	--
<b>C: Insulation</b> <b>Insulation Level</b> Ethylene Propylene Rubber 133%	0.135	0.140	0.170	1.370	1.392	1.455
<b>D: Insulation Shield</b> Semiconducting Thermoset Polymer	0.024	0.030	0.060	1.420	1.452	1.545
<b>E: Concentric Neutral / Metallic Shield</b> 1 x 1.5 " x 0.005 " Bare Copper Tape	--	0.005	--	--	1.466	--
<b>F: Jacket</b> Overlying Low Smoke Non-Halogen	0.070	0.080	0.105	--	1.626	--
Single Conductor Finished Cable Nominal Weight: 3874 lb/kft *						

\* - Nominal Values are Subject to Manufacturing Tolerances; Bold Font Indicates Minimum Average Values

<b>Customer:</b>	Genfree Uniblend Make	<b>Customer P/N:</b>	<b>EA/PC Number:</b>
<b>Specification / Standard:</b>	UL 1072, ICEA S-97-682, AEIC CS8	<b>Prepared By:</b>	<b>Date:</b>
		HQQUJAH	2/26/2014

Dimensions and weights not designated minimum or maximum are nominal and subject to manufacturing tolerances.

The information contained in this document is the exclusive and proprietary intellectual property of General Cable Corporation, and any reproduction or disclosure, in whole or in part, is prohibited without the express written consent of an officer of General Cable Corporation.

©General Cable Corporation 2012, all rights reserved.