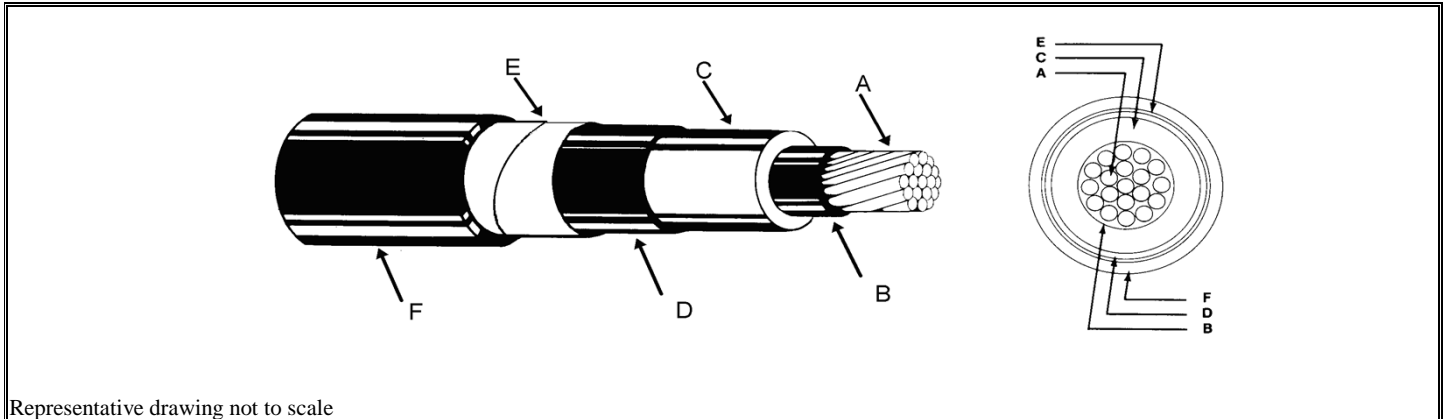


Drawing / Data Sheet

GenFree® Uniblend® EPR/Copper Tape Shield/LSZH Jacket, 8kV(133%), UL Type MV-105



Component Description	Thickness (inches)			Diameter (inches)		
	Min.	Nom.*	Max.	Min.	Nom.*	Max.
A: Conductor 1000 kcmil Class B Compact Stranded Bare CU Conductor	--	--	--	1.039	1.060	1.081
B: Conductor Shield Semiconducting Thermoset Polymer	0.020	0.026	--	--	1.112	--
C: Insulation Insulation Level Ethylene Propylene Rubber 133%	0.135	0.140	0.170	1.370	1.392	1.455
D: Insulation Shield Semiconducting Thermoset Polymer	0.024	0.030	0.060	1.420	1.452	1.545
E: Concentric Neutral / Metallic Shield 1 x 1.5 " x 0.005 " Bare Copper Tape	--	0.005	--	--	1.466	--
F: Jacket Overlying Low Smoke Non-Halogen	0.070	0.080	0.105	--	1.626	--
Single Conductor Finished Cable Nominal Weight: 3874 lb/kft *						

* - Nominal Values are Subject to Manufacturing Tolerances; Bold Font Indicates Minimum Average Values

Customer:	Genfree Uniblend Make	Customer P/N:	EA/PC Number:
Specification / Standard:	UL 1072, ICEA S-97-682, AEIC CS8	Prepared By:	Date:
		HQQUJAH	2/26/2014

Dimensions and weights not designated minimum or maximum are nominal and subject to manufacturing tolerances.

The information contained in this document is the exclusive and proprietary intellectual property of General Cable Corporation, and any reproduction or disclosure, in whole or in part, is prohibited without the express written consent of an officer of General Cable Corporation.

©General Cable Corporation 2012, all rights reserved.