

# Technical data sheet - Accessories Mounting part

Mounting bracket



<b>Identification</b>	Type Part-No.	Haltewinkel f. EMVS 03 346860.0002
<b>General</b>		
Dimensions (w x h x d)	18.0 x 80 x 65 mm	
Material	S235JR (ST37-2)	
Material thickness	3 mm	
Surface	smooth bright galvanised Punched edges bare/natural	
Thread	2xM8	
Operation temperature range	-5 °C ... +80 °C	
Storage temperature range	-30 °C ... +90 °C	
Weight	9.8 kg/piece	
Weight	9.80 kg/100 units	
PU	2 piece	

26.11.2017 – Subject to technical modification

Part-No. 346860.0002

USA: LUTZE INC.

13330 South Ridge Drive • Charlotte, NC 28273, USA  
Tel. +1 (704) 504-0222 • Fax +1 (704) 504-0223  
www.lutze.com • info@lutze.com

United Kingdom: LÜTZE Ltd.

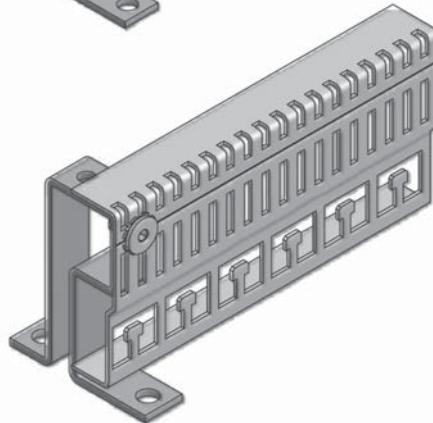
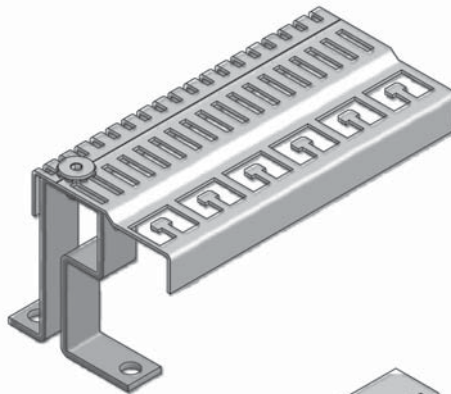
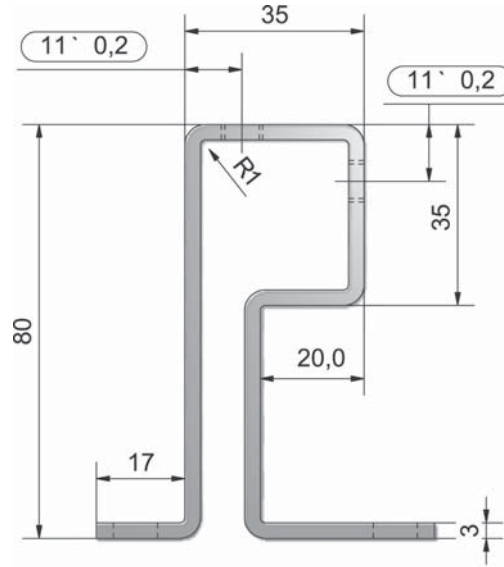
Unit 3, Sandy Hill Park  
Sandy Way, Amington • GB-Tamworth, Staffs B77 4DU  
Tel. +44 (0)1827 31333-0 • Fax +44 (0)1827 31333-2  
www.lutze.com • sales.gb@lutze.co.uk



SYSTEMATIC TECHNOLOGY

# Technical data sheet - Accessories Mounting part

## Dimensions



26.11.2017 – Subject to technical modification

Part-No. 346860.0002

USA: LUTZE INC.

13330 South Ridge Drive • Charlotte, NC 28273, USA  
Tel. +1 (704) 504-0222 • Fax +1 (704) 504-0223  
www.lutze.com • info@lutze.com

United Kingdom: LÜTZE Ltd.

Unit 3, Sandy Hill Park  
Sandy Way, Amington • GB-Tamworth, Staffs B77 4DU  
Tel. +44 (0)1827 31333-0 • Fax +44 (0)1827 31333-2  
www.lutze.com • sales.gb@lutze.co.uk

## Technical data sheet - Accessories Mounting part

---

### Comments

suitable for shield rail 346813

26.11.2017 – Subject to technical modification

Part-No. 346860.0002

USA: LUTZE INC.

13330 South Ridge Drive • Charlotte, NC 28273, USA

Tel. +1 (704) 504-0222 • Fax +1 (704) 504-0223

www.lutze.com • info@lutze.com

United Kingdom: LÜTZE Ltd.

Unit 3, Sandy Hill Park

Sandy Way, Amington • GB-Tamworth, Staffs B77 4DU

Tel. +44 (0)1827 31333-0 • Fax +44 (0)1827 31333-2

www.lutze.com • sales.gb@lutze.co.uk



SYSTEMATIC TECHNOLOGY