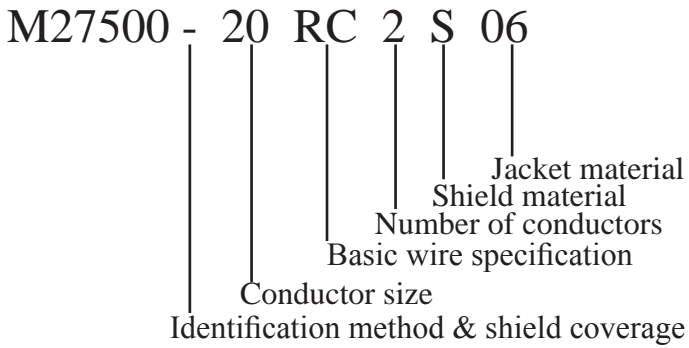


WC27500 REFERENCE GUIDE



Identification method & shield coverage

Coverage		
85%	90%	
-	C	White insulation w/stripe (Table 1)
A	D	Solid colors (Table 1)
F	H	Red insulation w/stripes (Table 2)
G	J	Solid colors (Table 2)
U	V	Color by procurement

Table 1

1	White		8	Violet
2	Blue		9	Gray
3	Orange		10	Brown
4	Green		11	Blue/Blue
5	Red		12	Orange/Orange
6	Black		13	Green/Green
7	Yellow		14	Red/Red
			15	Black/Black

Table 2

1	Red		8	Orange
2	Blue		9	Violet
3	Yellow		10	Gray
4	Green		11	Red/White
5	White		12	Blue/White
6	Black		13	Yellow/White
7	Brown		14	Green/White
			15	Black/White

Colors same for stripes & solids

Basic Wire Specifications

VA	M22759/5
WA	M22759/6
SA	M22759/7
TA	M22759/8
LE	M22759/9
LH	M22759/10
RC	M22759/11
RE	M22759/12
TE	M22759/16
TF	M22759/17
TG	M22759/18
TH	M22759/19
TK	M22759/20
TL	M22759/21
TM	M22759/22
TN	M22759/23

Shield material

Single	Double	Material
U	--	No shield
T	V	TPC, round
S	W	SPC, round
N	Y	NPC, round
M	K	SPAlloy, round
P	L	NPAlloy, round
G	A	SPC, flat
H	B	SPAlloy, flat
J	D	TPC, flat
E	X	NPAlloy, flat

Jacket material

Single	Double	Material
00	00	No jacket
01	51	White PVC
05	55	Clear FEP
06	56	White TFE
09	59	White FEP
14	64	White ETFE
15	65	Clear ETFE
20	70	White PFA
21	71	Clear PFA

***Above constructions are those currently manufactured by Harbour Industries**

NEMA WC 27500 Type TE-14

Replaces MIL-C-27500

Construction

Stranded tin plated copper conductor

Extruded ETFE

Tin plated copper braid 85% coverage

White extruded ETFE jacket

Ratings/Approvals

Primary conductors manufactured in accordance to SAE-AS 22759

150° C 600 Volts

Standard color coding available

Part Number	AWG/Stranding	Primary Dielectric	Shield Diameter	Cable Diameter	Weight/mft
27500-24TE1T14	24 19/36	.045"	.061"	.077"	7
27500-24TE2T14	24 19/36	.045"	.106"	.122"	13
27500-24TE3T14	24 19/36	.045"	.113"	.130"	15
27500-24TE4T14	24 19/36	.045"	.125"	.143"	19
27500-22TE1T14	22 19/34	.052"	.068"	.084"	8
27500-22TE2T14	22 19/34	.052"	.120"	.134"	15
27500-22TE3T14	22 19/34	.052"	.128"	.145"	19
27500-22TE4T14	22 19/34	.052"	.142"	.160"	25
27500-20TE1T14	20 19/32	.060"	.076"	.092"	10
27500-20TE2T14	20 19/32	.060"	.136"	.152"	19
27500-20TE3T14	20 19/32	.060"	.145"	.161"	25
27500-20TE4T14	20 19/32	.060"	.161"	.183"	32
27500-18TE1T14	18 19/30	.071"	.087"	.103"	14
27500-18TE2T14	18 19/30	.071"	.158"	.180"	26
27500-18TE3T14	18 19/30	.071"	.169"	.193"	36
27500-18TE4T14	18 19/30	.071"	.187"	.211"	45
27500-16TE1T14	16 19/29	.079"	.095"	.111"	16
27500-16TE2T14	16 19/29	.079"	.174"	.198"	31
27500-16TE3T14	16 19/29	.079"	.180"	.208"	43
27500-16TE4T14	16 19/29	.079"	.207"	.231"	54
27500-14TE1T14	14 19/27	.093"	.109"	.127"	22
27500-14TE2T14	14 19/27	.093"	.202"	.226"	43
27500-14TE3T14	14 19/27	.093"	.216"	.240"	60
27500-14TE4T14	14 19/27	.093"	.241"	.265"	76
27500-12TE1T14	12 19/25	.114"	.130"	.148"	30
27500-12TE2T14	12 19/25	.114"	.244"	.268"	60
27500-12TE3T14	12 19/25	.114"	.262"	.292"	86
27500-12TE4T14	12 19/25	.114"	.295"	.325"	114

Additional constructions available - check with the factory for details

All figures referenced are nominal

NEMA WC 27500 Type TG-14

Replaces MIL-C-27500

Construction

Stranded tin plated copper conductor
 Extruded ETFE
 Tin plated copper braid 85% coverage
 White extruded ETFE jacket

Ratings/Approvals

Primary conductors manufactured in accordance to SAE-AS 22759
 150° C 600 Volts

Standard color coding available

Part Number	AWG/Stranding	Primary Diameter	Shield Diameter	Cable Diameter	Weight/mft
27500-24TG1T14	24 19/36	.036"	.052"	.068"	6
27500-24TG2T14	24 19/36	.036"	.088"	.094"	9
27500-24TG3T14	24 19/36	.036"	.094"	.109"	12
27500-24TG4T14	24 19/36	.036"	.103"	.121"	15
27500-22TG1T14	22 19/34	.043"	.059"	.075"	7
27500-22TG2T14	22 19/34	.043"	.102"	.118"	12
27500-22TG3T14	22 19/34	.043"	.109"	.125"	17
27500-22TG4T14	22 19/34	.043"	.120"	.136"	20
27500-20TG1T14	20 19/32	.051"	.067"	.073"	9
27500-20TG2T14	20 19/32	.051"	.118"	.134"	18
27500-20TG3T14	20 19/32	.051"	.133"	.144"	22
27500-20TG4T14	20 19/32	.051"	.139"	.155"	27
27500-18TG1T14	18 19/30	.061"	.077"	.092"	12
27500-18TG2T14	18 19/30	.061"	.138"	.154"	23
27500-18TG3T14	18 19/30	.061"	.147"	.164"	31
27500-18TG4T14	18 19/30	.061"	.163"	.187"	40
27500-16TG1T14	16 19/29	.070"	.086"	.092"	15
27500-16TG2T14	16 19/29	.070"	.158"	.179"	28
27500-16TG3T14	16 19/29	.070"	.167"	.190"	39
27500-16TG4T14	16 19/29	.070"	.185"	.209"	72
27500-14TG1T14	14 19/27	.085"	.101"	.117"	21
27500-14TG2T14	14 19/27	.085"	.186"	.211"	40
27500-14TG3T14	14 19/27	.085"	.199"	.223"	56
27500-14TG4T14	14 19/27	.085"	.221"	.245"	72
27500-12TG1T14	12 19/25	.107"	.123"	.139"	30
27500-12TG2T14	12 19/25	.107"	.230"	.252"	59
27500-12TG3T14	12 19/25	.107"	.247"	.265"	83
27500-12TG4T14	12 19/25	.107"	.278"	.302"	111

Additional constructions available - check with the factory for details

All figures referenced are nominal

NEMA WC 27500 Type RC-06

Replaces MIL-C-27500

Construction

Stranded silver plated copper conductor
 Extruded Polytetrafluoroethylene (PTFE)
 Silver plated copper braid 85% coverage
 White PTFE tape wrapped jacket

Ratings/Approvals

Primary conductors manufactured in accordance to SAE-AS 22759
 200° C 600 Volts

Standard color coding available

Part Number	AWG/Stranding	Primary Diameter	Shield Diameter	Cable Diameter	Weight/mft
27500-26RC1S06	26 19/38	.038"	.054"	.072"	6
27500-26RC2S06	26 19/38	.038"	.092"	.116"	10
27500-26RC3S06	26 19/38	.038"	.098"	.123"	13
27500-26RC4S06	26 19/38	.038"	.108"	.135"	16
27500-24RC1S06	24 19/36	.043"	.059"	.085"	7
27500-24RC2S06	24 19/36	.043"	.102"	.128"	13
27500-24RC3S06	24 19/36	.043"	.109"	.134"	16
27500-24RC4S06	24 19/36	.043"	.120"	.144"	19
27500-22RC1S06	22 19/34	.049"	.065"	.090"	10
27500-22RC2S06	22 19/34	.049"	.114"	.141"	15
27500-22RC3S06	22 19/34	.049"	.122"	.143"	20
27500-22RC4S06	22 19/34	.049"	.135"	.159"	25
27500-20RC1S06	20 19/32	.058"	.074"	.098"	11
27500-20RC2S06	20 19/32	.058"	.132"	.158"	20
27500-20RC3S06	20 19/32	.058"	.141"	.164"	27
27500-20RC4S06	20 19/32	.058"	.156"	.181"	35
27500-18RC1S06	18 19/30	.068"	.084"	.109"	15
27500-18RC2S06	18 19/30	.068"	.152"	.176"	28
27500-18RC3S06	18 19/30	.068"	.163"	.188"	38
27500-18RC4S06	18 19/30	.068"	.181"	.207"	47
27500-16RC1S06	16 19/29	.075"	.091"	.117"	17
27500-16RC2S06	16 19/29	.075"	.166"	.192"	33
27500-16RC3S06	16 19/29	.075"	.178"	.202"	46
27500-16RC4S06	16 19/29	.075"	.198"	.224"	59
27500-14RC1S06	14 19/27	.090"	.106"	.131"	23
27500-14RC2S06	14 19/27	.090"	.196"	.221"	45
27500-14RC3S06	14 19/27	.090"	.210"	.237"	62
27500-14RC4S06	14 19/27	.090"	.233"	.263"	79
27500-12RC1S06	12 19/25	.111"	.127"	.151"	33
27500-12RC2S06	12 19/25	.111"	.238"	.262"	68

Additional constructions available - check with the factory for details

All figures referenced are nominal

NEMA WC 27500 Type RC-09

Replaces MIL-C-27500

Construction

Stranded silver plated copper conductor
Extruded Polytetrafluoroethylene (PTFE)
Silver plated copper braid 85% coverage
White extruded FEP jacket

Ratings/Approvals

Primary conductors manufactured in accordance to SAE-AS 22759
200° C 600 Volts

Standard color coding available

Part Number	AWG/Stranding	Primary Diameter	Shield Diameter	Cable Diameter	Weight/mft
27500-26RC1S09	26 19/38	.038"	.054"	.073"	6
27500-26RC2S09	26 19/38	.038"	.092"	.110"	10
27500-26RC3S09	26 19/38	.038"	.098"	.116"	13
27500-26RC4S09	26 19/38	.038"	.108"	.126"	16
27500-24RC1S09	24 19/36	.043"	.059"	.075"	7
27500-24RC2S09	24 19/36	.043"	.102"	.118"	13
27500-24RC3S09	24 19/36	.043"	.109"	.127"	16
27500-24RC4S09	24 19/36	.043"	.120"	.138"	19
27500-22RC1S09	22 19/34	.049"	.065"	.083"	10
27500-22RC2S09	22 19/34	.049"	.114"	.132"	15
27500-22RC3S09	22 19/34	.049"	.122"	.138"	20
27500-22RC4S09	22 19/34	.049"	.135"	.153"	25
27500-20RC1S09	20 19/32	.058"	.074"	.090"	11
27500-20RC2S09	20 19/32	.058"	.132"	.150"	20
27500-20RC3S09	20 19/32	.058"	.141"	.156"	27
27500-20RC4S09	20 19/32	.058"	.156"	.180"	35
27500-18RC1S09	18 19/30	.068"	.084"	.102"	15
27500-18RC2S09	18 19/30	.068"	.152"	.176"	28
27500-18RC3S09	18 19/30	.068"	.163"	.187"	38
27500-18RC4S09	18 19/30	.068"	.181"	.205"	47
27500-16RC1S09	16 19/29	.075"	.091"	.109"	17
27500-16RC2S09	16 19/29	.075"	.166"	.190"	33
27500-16RC3S09	16 19/29	.075"	.178"	.202"	46
27500-16RC4S09	16 19/29	.075"	.198"	.222"	59
27500-14RC1S09	14 19/27	.090"	.106"	.124"	23
27500-14RC2S09	14 19/27	.090"	.196"	.220"	45
27500-14RC3S09	14 19/27	.090"	.210"	.235"	62
27500-14RC4S09	14 19/27	.090"	.233"	.258"	79
27500-12RC1S09	12 19/25	.111"	.127"	.145"	33
27500-12RC2S09	12 19/25	.111"	.238"	.262"	68

Additional constructions available - check with the factory for details

All figures referenced are nominal