

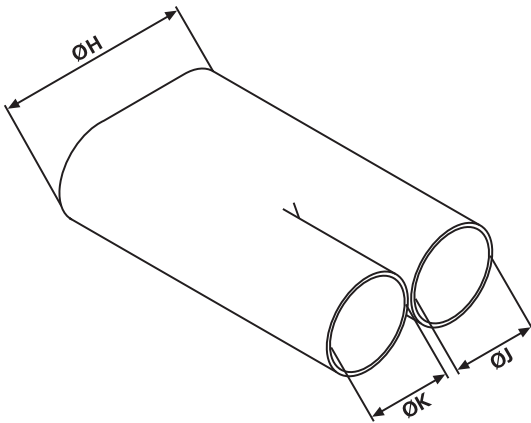
**Low Profile Transition Boots**

• Helashrink 492H Series, 1 to 2 cables

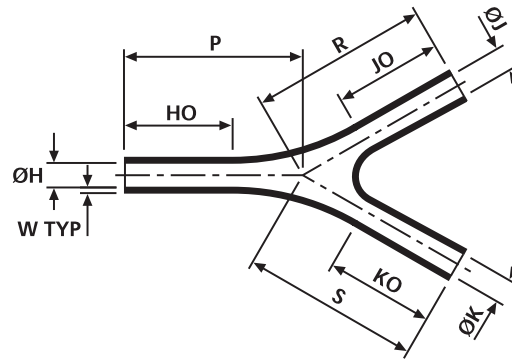
This style provides strain relief, sealing and mechanical protection on cable harness breakouts or transitions.



492H412-415 Series supplied / fully recovered.



a: Expanded form (supplied)



b: Fully recovered form (after heating)

Sizes and Type Table

Type	ØH min. a	ØH max. b	ØJ/K min. a	ØJ/K max. b	HO/JO/KO +/- 15%	W nom	P/R/S nom
492H412	19.8	6.6	13.2	6.6	25.4	1.0	40.6
492H413	34.2	11.4	22.8	11.4	41.1	1.3	62.9
492H414	60.1	20.0	40.1	20.0	63.5	1.5	94.7
492H415	83.3	33.2	54.8	33.2	49.7	1.7	133.8

All dimensions in mm. Subject to technical changes.

**For Material / Adhesive selection and other information please refer to page 10.**

Combinations "On request"

Adhesive	Material		
	9	8	6
TSA-200	√	√	√
WM250	√	√	√
W8	√	√	√
W24	√	√	√
V9500	√	√	√
HMT200A	√	√	√
Without Adhesive	√	√	√

Standard combinations

Article-No.	Type
422-50000	492H412-9
422-50101	492H413-9
422-50202	492H414-9
422-50302	492H415-9