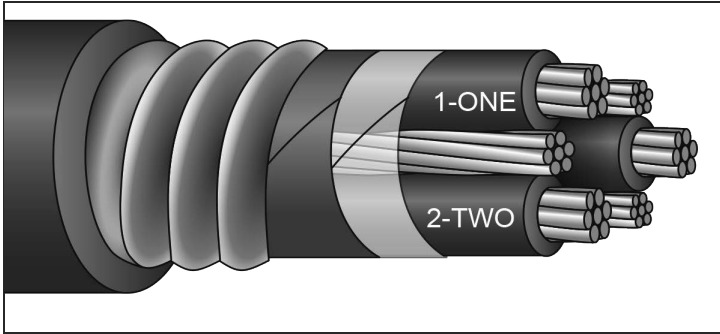


SERVICEDRIVE®



ASD/VFD JACKETED MC XHHW-2/EnviroPlus®

600 Volt Copper, Zero Smoke, Limited Halogen
Patented for use with ServiceDrive® connector and termination kit.



Description:

3 tinned conductors, stranded, insulated with heat and moisture resistant crosslinked polyethylene (*type XHHW-2*), phase identified and cabled with suitable fillers and 3 symmetrical tinned bare copper ground conductors. Cable core covered with binder tape, 5-mil helical copper tape shield, galvanized steel interlocked armor with overall black zero halogen, limited smoke, zero lead jacket.
Available with bare conductors.

Application:

For use in ASD/VFD applications.

Suitable for use in hazardous locations: Class I - Div 2,
Class II - Div 2, Class III - Div 1 and 2

Standards:

UL 1569
ICEA S-95-658/NEMA WC-70
Flame Rated: IEEE 383 (70,000 BTU), IEEE 1202/CSA FT-4, UL 1685
Two-hour Firewall
Temperature Rated at 90°C Wet/Dry, Cold Temperature Rated at -40°C
Sunlight Resistant
Direct Burial (*includes encasement in concrete*)
Color Code: Method 4
Zero Halogen, Limited Smoke Jacket
RoHS Compliant

Part Number	Size (AWG or Kcmil)	Strand (no.)	Insulation Thickness (mils)	Grounding Conductors (AWG)	Diameter over Armor (in.)	Jacket Thickness (mils)	Approx. Diameter Overall (in.)	Approx. Net Weight (lb./1000')	Ampacity* (30°C ambient) 90°C Wet/Dry
ASDGAE14/3T	14	7	45	3-#14	0.57	50	0.67	341	25
ASDGAE12/3T	12	7	45	3-#14	0.63	50	0.73	400	30
ASDGAE10/3T	10	7	45	3-#14	0.67	50	0.77	463	40
ASDGAE8/3T	8	7	45	3-#14	0.73	50	0.83	562	55
ASDGAE6/3T	6	7	45	3-#12	0.81	50	0.91	732	75
ASDGAE4/3T	4	7	45	3-#10	0.91	50	1.01	984	95
ASDGAE3/3T	3	7	45	3-#10	0.97	50	1.07	1,128	115
ASDGAE2/3T	2	7	45	3-#8	1.03	50	1.13	1,357	130
ASDGAE1/3T	1	19	55	3-#8	1.15	50	1.25	1,617	145
ASDGAE1/03T	1/0	19	55	3-#6	1.31	50	1.41	2,100	170
ASDGAE2/03T	2/0	19	55	3-#6	1.41	50	1.51	2,448	195
ASDGAE3/03T	3/0	19	55	3-#4	1.51	60	1.63	3,038	225
ASDGAE4/03T	4/0	19	55	3-#4	1.63	60	1.75	3,569	260
ASDGAE250/3T	250	37	65	3-#4	1.81	60	1.93	4,091	290
ASDGAE350/3T	350	37	65	3-#2	2.03	60	2.15	5,467	350
ASDGAE500/3T	500	37	65	3-#1	2.29	75	2.44	7,375	430
ASDGAE600/3T	600	61	80	3-1/0	2.55	75	2.70	8,831	475
ASDGAE750/3T	750	61	80	3-2/0	2.77	75	2.92	10,727	535

*Per NEC Table 310.15 (B)(16). NOTE: The data shown is approximate and subject to standard industry tolerances.