

SPECIFICATION CONTROL DRAWING

2021D0309

CHEMINAX

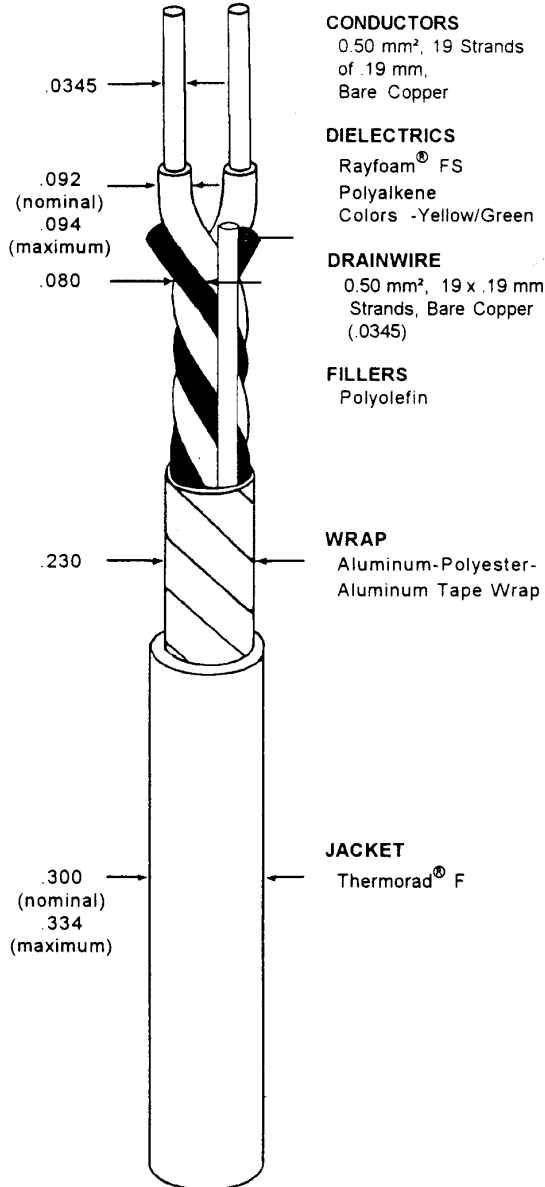
120 OHM, RADIO FREQUENCY, 0.50 mm², 19 STRANDS,
TWIN CONDUCTOR CABLE

Date: 3-11-98
Revision: B

THIS SPECIFICATION SHEET FORMS A PART OF THE LATEST ISSUE OF RAYCHEM SPECIFICATION 1200.

CONSTRUCTION DETAILS

DIMENSIONS ARE NOMINAL VALUES IN INCHES UNLESS OTHERWISE DESIGNATED



- CONDUCTORS**
0.50 mm², 19 Strands
of .19 mm,
Bare Copper
- DIELECTRICS**
Rayfoam® FS
Polyalkene
Colors -Yellow/Green
- DRAINWIRE**
0.50 mm², 19 x .19 mm
Strands, Bare Copper
(.0345)
- FILLERS**
Polyolefin
- WRAP**
Aluminum-Polyester-
Aluminum Tape Wrap
- JACKET**
Thermorad® F

ELECTRICAL CHARACTERISTICS

CHARACTERISTIC IMPEDANCE	120 ± 12 ohms, Method D at 1 MHz (with shield grounded)
CAPACITANCE - MUTUAL	10.5 pF/ft. (nominal)
VELOCITY OF PROPAGATION	75% (nominal)
SURFACE TRANSFER IMPEDANCE	225 milliohms/meter (maximum) at 0.1 to 1 MHz (Per MIL-C-85485)

ADDITIONAL REQUIREMENTS

ELECTRICAL

CONDUCTOR RESISTANCE	11.3 ohms/1000 ft. (nominal)
INSULATION RESISTANCE	10,000 megohms (minimum) for 1000 ft.
JACKET FLAWS	
SPARK TEST	1.0 kV (rms), 60 Hz
IMPULSE TEST	6.0 kV (peak)
VOLTAGE WITHSTAND (DIELECTRIC)	1000 volts (rms) (minimum)

ENVIRONMENTAL

AGING STABILITY	135°C/-55°C/ 11.00 inch mandrel
FLAMMABILITY	Method C
HEATSHOCK	225°C
LOW TEMPERATURE- COLD BEND	-55°C/11.00 inch mandrel
VOLTAGE WITHSTAND (POST ENVIRONMENTAL)	1000 volts (rms), 60 Hz, 1 minute

PHYSICAL

DIELECTRIC	
ELONGATION	100% (minimum)
TENSILE STRENGTH	1000 lbf/in ² (minimum)
JACKET	
ELONGATION	300% (minimum)
TENSILE STRENGTH	2500 lbf/in ² (minimum)
CONCENTRICITY	70% (minimum)
JACKET THICKNESS	.030 inch ± .005 inch
WRAP	.002 inch thick (nominal)

Outer jacket will be Black (designated by a -0 appended to the part number, e.g., 2021D0309-0) unless otherwise specified.

Component Stripe Option: Red striped components will be designated with a slash separating base and stripe colors as follows: 2021D0309-42/52-0

Designate outer jacket color with a dash number in accordance with MIL-STD-681.

Jacket Mark: Mark outer jacket at 12 inch (nominal) intervals in white ink as follows: RAYCHEM J1939/11 0.5mm2

WEIGHT	38.8 lbs/1000 ft. (nominal)
--------	-----------------------------

Raychem

Raychem Corporation
300 Constitution Drive
Menlo Park, California 94025
1-800-2-Raychem Fax 1-650-361-6297

THIS SPECIFICATION SHEET TAKES PRECEDENCE
OVER DOCUMENTS REFERENCED HEREIN. REFERENCE
DOCUMENTS SHALL BE OF THE ISSUE IN EFFECT
ON DATE OF INVITATION FOR BID