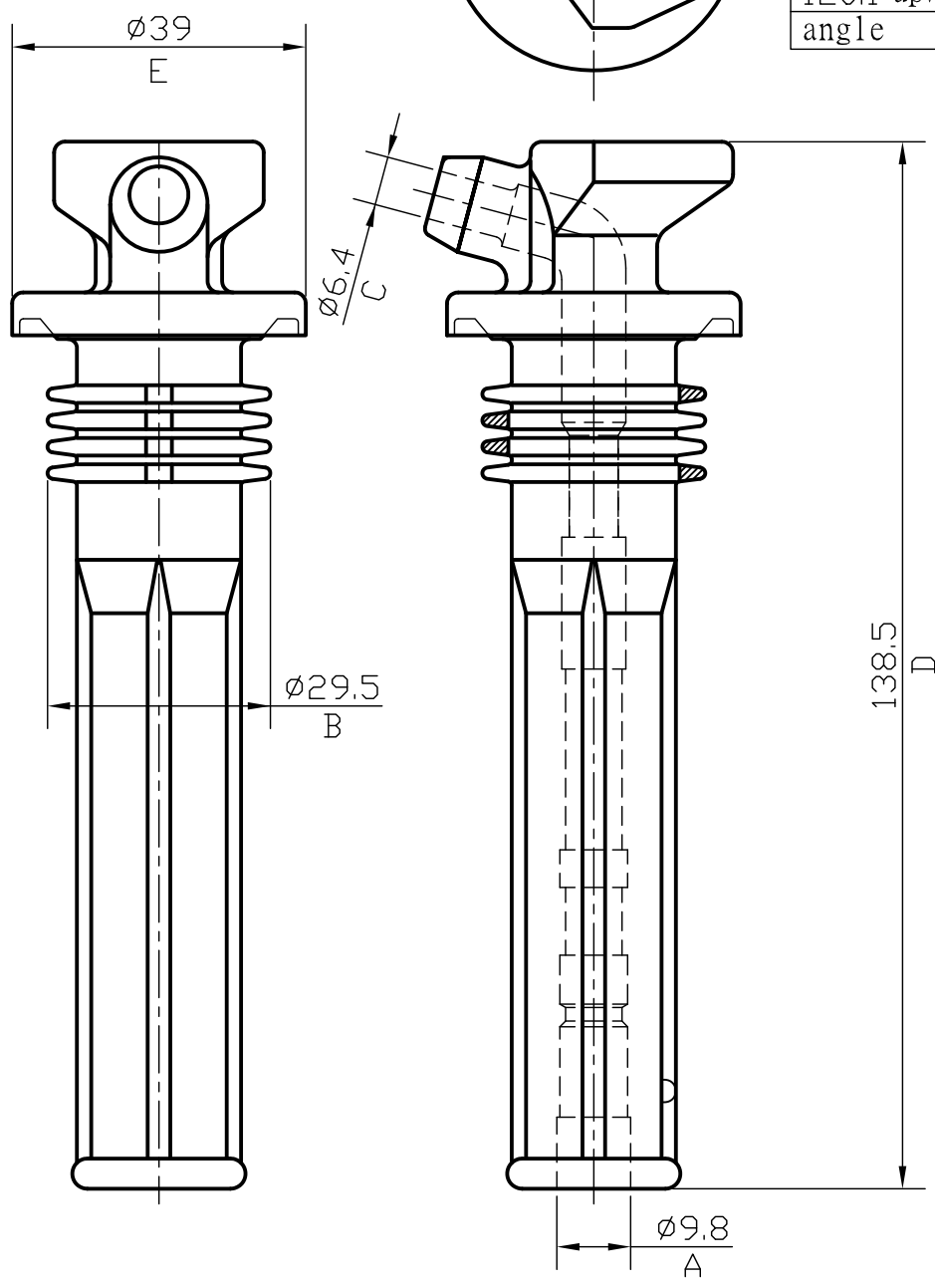


standard tolerances mm	
0.0 ~ 10	±0.2
10.1 ~ 50	±0.3
50.1 ~ 80	±0.4
80.1 ~ 120	±0.5
120.1 upward	±0.7
angle	±3°



△ △ △			DWG. NAME	DRAWING NO.	
			K61	K61-C	
				Ver.	1
			DATE	MATERIAL	SCALE
			03 JUN 10'	SILICONE	1=1
NEWS WORLD WU CO.,LTD NO.9-1 CHUNG-LUTSUN, 822 A-LIAN HSING KAOHSIUNG HSIANG TAIWAN R.O.C TEL:886-7-6311121~4,6320333~6 FAX:886-7-6312671,6320263			DRAWN BY	DESIGNED BY	
			CHECKED BY	APPROVAL BY	