

Technical data sheet - Accessories EMV

Cable clip



Identification	Type	Kabelschelle KS 4
	Part-No.	331004.0010
Technical data		
For cable diameter	52 – 58	
Connecting lead		
Description	Cable clip	
General		
Material	Steel	
Surface	galvanised	
Hexagon screw	slotted	
Thread	M6	
Operation temperature range	0 °C ... +60 °C	
Weight	6.00 kg/100 units	
PU	10 piece	
Accessories		
Accessories		
Accessories	Part No.	Type
can be used on Lütze rails	333156	SCS 1178

26.11.2017 – Subject to technical modification

Part-No. 331004.0010

USA: LUTZE INC.

13330 South Ridge Drive • Charlotte, NC 28273, USA
Tel. +1 (704) 504-0222 • Fax +1 (704) 504-0223
www.lutze.com • info@lutze.com

United Kingdom: LÜTZE Ltd.

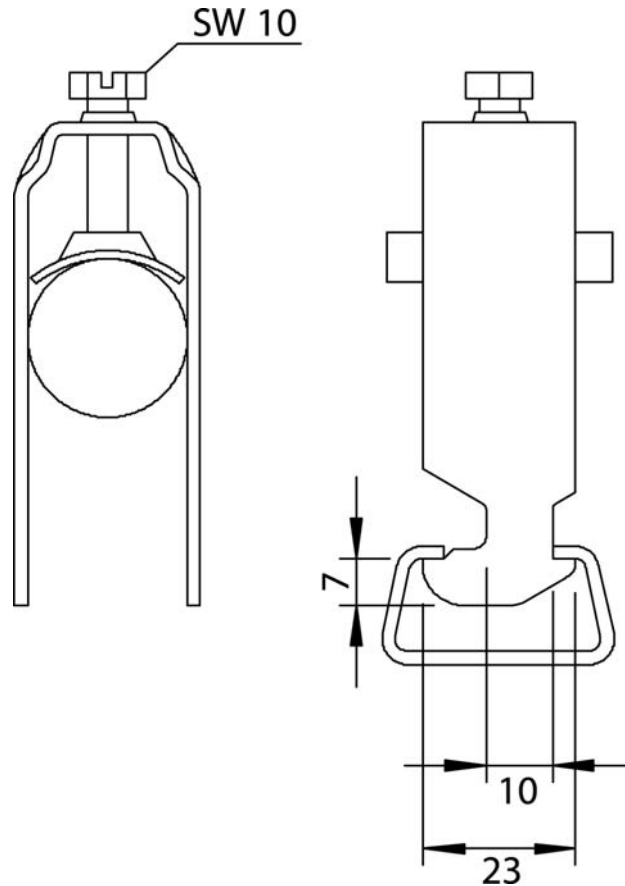
Unit 3, Sandy Hill Park
Sandy Way, Amington • GB-Tamworth, Staffs B77 4DU
Tel. +44 (0)1827 31333-0 • Fax +44 (0)1827 31333-2
www.lutze.com • sales.gb@lutze.co.uk



SYSTEMATIC TECHNOLOGY

Technical data sheet - Accessories EMV

Dimensions



Comments

Sold only with counter-shell, polypropylene plastic

26.11.2017 – Subject to technical modification

Part-No. 331004.0010

USA: LUTZE INC.

13330 South Ridge Drive • Charlotte, NC 28273, USA
Tel. +1 (704) 504-0222 • Fax +1 (704) 504-0223
www.lutze.com • info@lutze.com

United Kingdom: LÜTZE Ltd.

Unit 3, Sandy Hill Park
Sandy Way, Amington • GB-Tamworth, Staffs B77 4DU
Tel. +44 (0)1827 31333-0 • Fax +44 (0)1827 31333-2
www.lutze.com • sales.gb@lutze.co.uk