

# L5 Series

## lecterns

integration friendly lecterns simplify design and minimize delays

### features:

- Steel frame ships assembled and ready to integrate in the shop or on-site
- Open frame design includes built-in power and provisions for cable and thermal management
- Presenter's panel™ is designed with the cutouts specified, and ships with the frame (models with Turret only)
- Available in 3 widths
- Unique design allows panels to be replaced quickly and easily
- Panels available in Contemporary and Traditional styles
- 13 standard finishes to match all environments



### specifications:

EIA Compliant 19" A/V Lectern shall be Middle Atlantic Products model # L5-\_\_\_- (refer to chart). A/V Lectern shall be available in 23", 33", or 43" widths, with 1 or 2 rack bays and a storage area, depending on model (refer to chart). Overall dimensions shall be \_\_\_" H x \_\_\_" W x 28-3/8" D (refer to chart). Usable height shall be 12 rackspaces per bay. A/V Lectern frames shall ship fully assembled and be constructed of steel. Total weight capacity with Middle Atlantic finishing kit shall be \_\_\_ lbs. (refer to chart) Each rack bay shall come equipped with 1 pair of 11-gauge steel rackrail tapped with 10-32 mounting holes in universal EIA spacing, black e-coat finish and numbered rackspaces. A/V Lectern rack shall have (1,2) 70 CFM thermostatically controlled fans per bay. A/V Lectern shall have a slide-out keyboard shelf, \_\_\_" W x 2.25" H x 12.06" D. A/V Lectern shall have a side shelf/drawer with a useable area of 20.93" W x 7.49" H x 7.56" D. A/V Lectern shall have a side with a useable area of 20.93" W x 7.49" H x 7.56" D. Thermostatically controlled fans shall be powered on at 87°F and turn off at 85°F. A/V Lectern shall include a 15 Amp, 8 outlet surge-protected power strip with a 10' cord. Models with turret shall have customizable Presenter's Panel, which can accept touchscreens and other panel mounted devices with an overall size of \_\_\_" H x \_\_\_" W x \_\_\_ 8.31" D (refer to chart). A/V Lectern shall have venting on the top. A/V Lectern shall be finished in a durable black powder coat. Finishing kit shall ship separately from rack, be available in a Contemporary or Traditional style and be model # L5-TKIT\_ (refer to chart). Finishing kit shall be available in a Wenge, Dark Cherry, Dark Pecan, Ebony Ash, Aged Cherry, Honey Maple, Light Walnut, Maple, Shark Gray, Pepperstone, Graystone or Darkstone RTF thermolaminate finish. A/V Lectern shall include 4 casters. A/V Lectern shall be GREENGUARD Gold Certified. A/V Lectern shall comply with the requirements of RoHS EU Directive 2002/95/EC. A/V Lectern shall be manufactured by an ISO 9001 and ISO 14001 registered company. A/V Lectern frame shall be warranted to be free from defects in material or workmanship under normal use and conditions for the lifetime of the rack, fans shall be warranted for

Customizable specification clips available at [middleatlantic.com](http://middleatlantic.com)

EIA/TIA COMPLIANT



PRODUCT CERTIFIED FOR  
LOW CHEMICAL EMISSIONS  
UL.COM/GG  
UL 2818

### options:

- 8" Gooseneck light with dimmer shall be model # L5-TASKLIGHT18
- Monitor Mount with 12" pole shall be model # MMB-1X1-12
- Articulating Tablet Mount shall be model # L5-TABLETMT
- Shockmount Microphone Holder shall be model # L5-SHOC-XLR-S
- 4" Clock Timer shall be model # L5-CLOCKTIMER4
- Monitor mount shall be model # MMB-1X1-12, shall have a VESA 75 and 100 pattern, and have a 25 lb. weight capacity
- Custom 12" x 14" logo, Aluminum shall be model # L5-LOGO14A-XXXXX, Bronze shall be model # L5-LOGO14B-XXXXX, Color shall be L5-LOGO14C-XXXXX, Laser shall be L5-LOGO14L-XXXXX
- Millwork kit shall be model # L5-MK\_(23, 33, 43)

what great systems are built on.™

A Group brand | legrand

Middle Atlantic Products

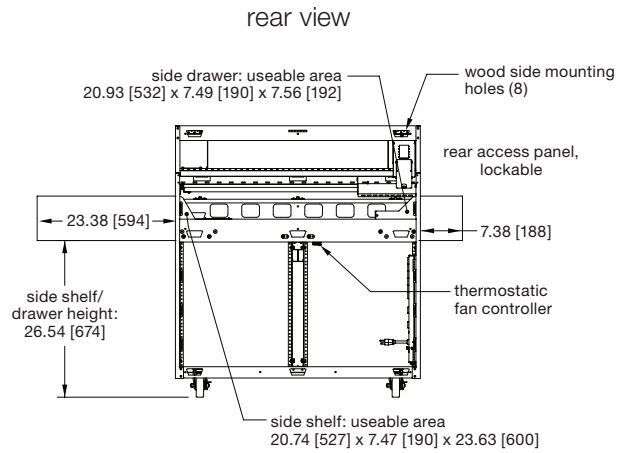
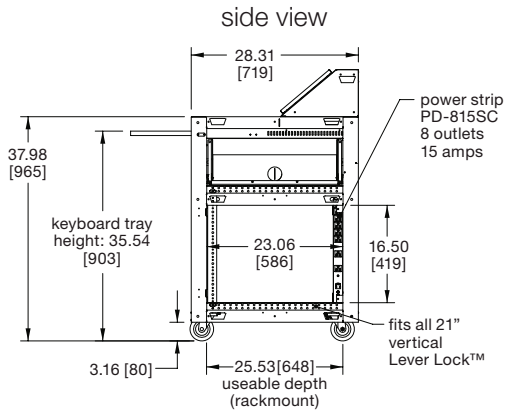
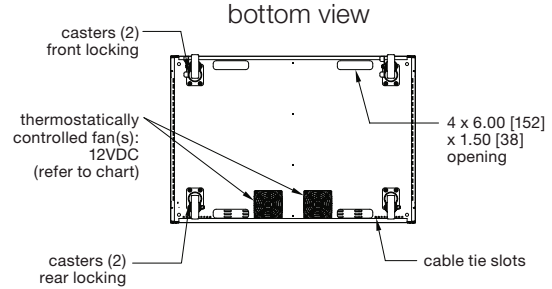
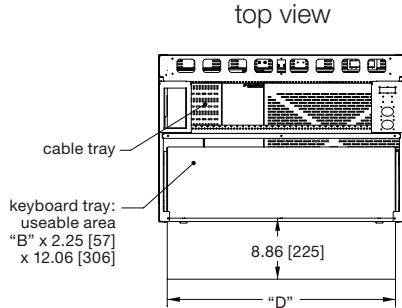
[middleatlantic.com](http://middleatlantic.com) | [middleatlantic.com](http://middleatlantic.com)

96-01194 / rev 1b / 12-16-13

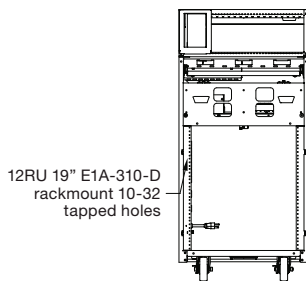
# L5 Series Lecterns

## basic dimensions

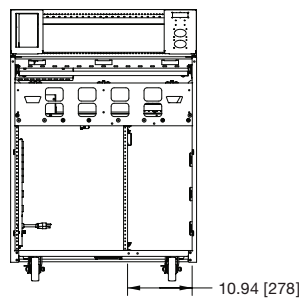
all dimensions in inches unless otherwise noted [all dimensions in brackets are in millimeters]



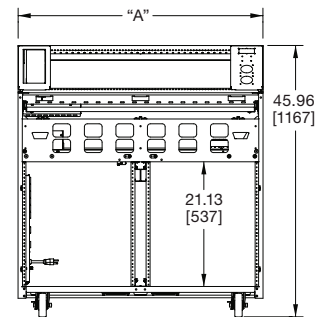
front view  
L5-TURFR-23



front view  
L5-TURFR-33



front view  
L5-TURFR-43



Part #	"A" Frame Width	"B" Usable Keyboard Width	19" Rackmount Bay	Weight Capacity Lbs. [Kg]	# of Fans	CFM	DBA
L5-TURFR-23	21.93 [557]	18.99 [482]	1	200 [91]	1	70	29
L5-TURFR-33	31.50 [800]	28.56 [726]	1	300 [136]	1	70	29
L5-TURFR-43	41.47 [1053]	38.56 [980]	2	400 [181]	2	140	32

Notes:

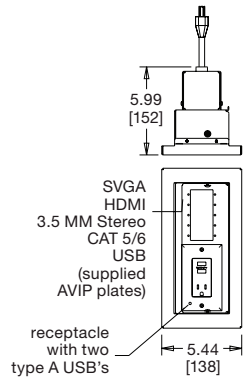
- 1) Useable area dimensions specified as WXHXD
- 2) Side shelf and side drawer can be switched
- 3) Side shelf and accessory panel not offered for L5-TURFR-23

# L5 Series Lecterns

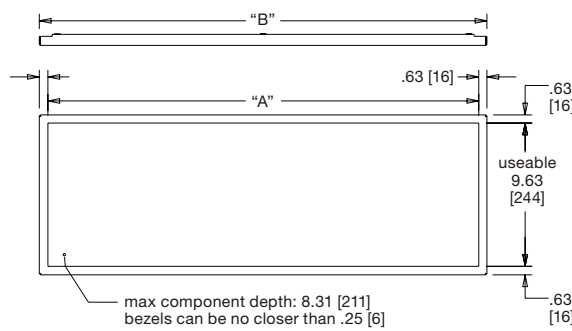
## basic dimensions

all dimensions in inches unless otherwise noted [all dimensions in brackets are in millimeters]

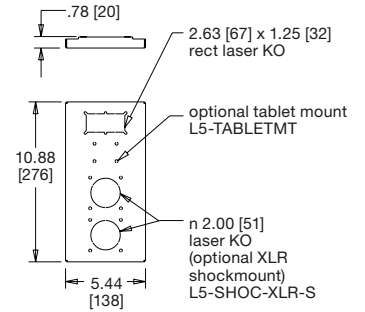
PWR/AVIP panel



Presenter's Panel™



accessory panel



Presenter's Panel™ options



L5-CLOCKTIMER4

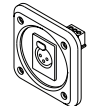
accessory panel options



L5-TASKLIGHT18

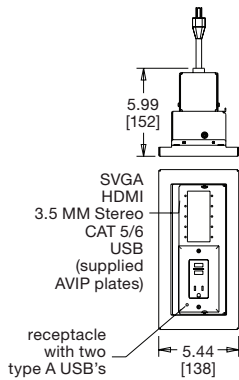


L5-TABLETMT

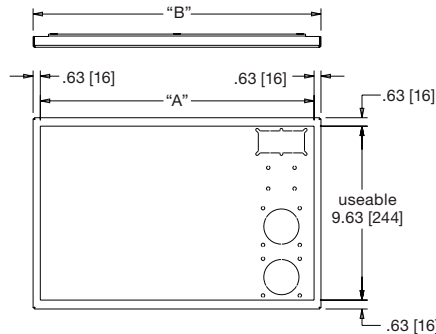


L5-SHOC-XLR-S

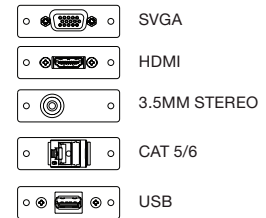
PWR/AVIP panel



Presenter's Panel™



AVIP device plates



Part #	"A" Useable Panel Width	"B" Panel Width
L5-TURFR-23	11.69 [297]	16.37 [416]
L5-TURFR-33	19.19 [487]	20.44 [519]
L5-TURFR-43	29.19 [741]	30.44 [773]

what great systems are built on.™

A Group brand | Legrand

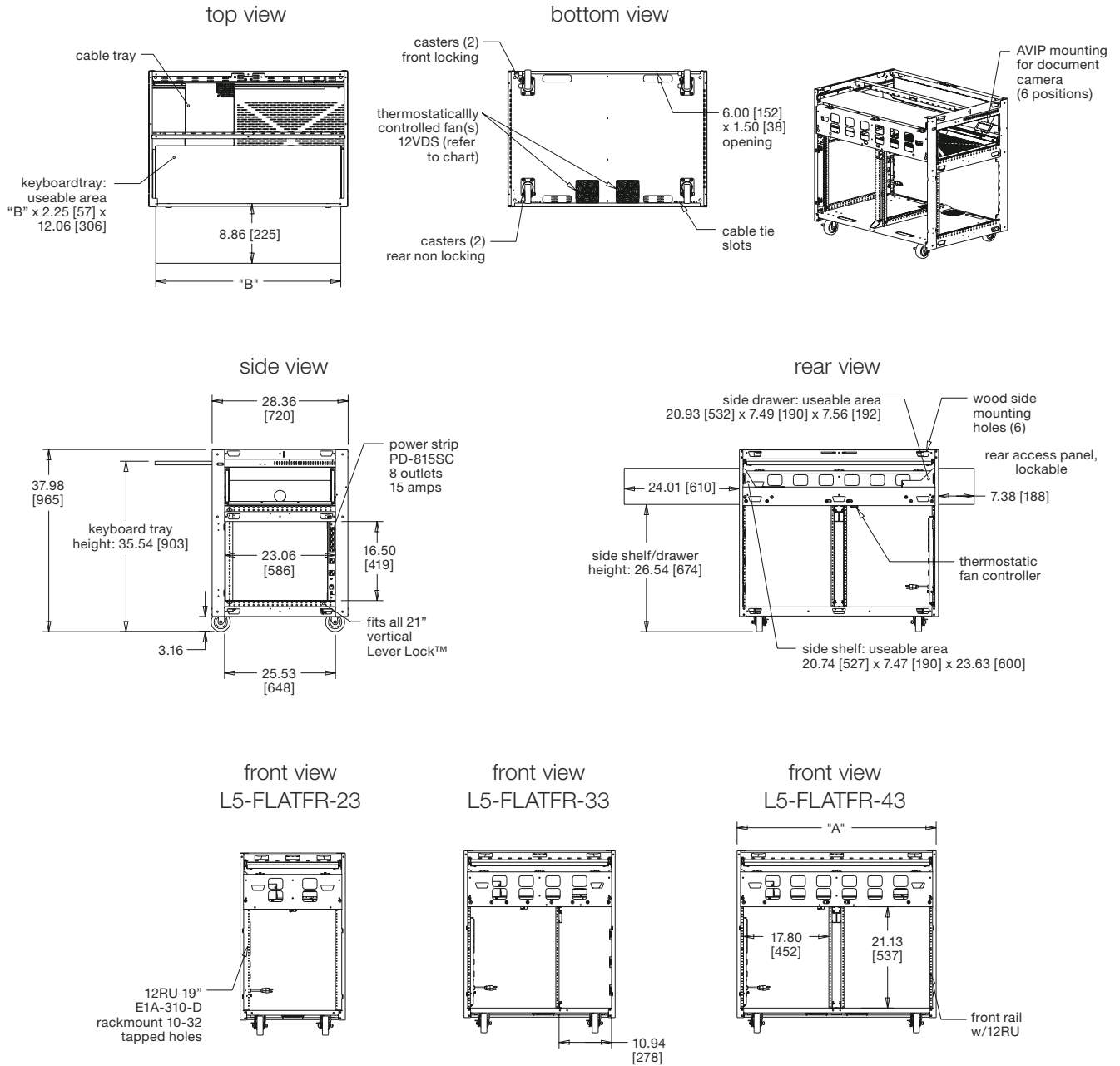
Middle Atlantic Products

middleatlantic.com | middleatlantic.ca

# L5 Series Lecterns

## basic dimensions

all dimensions in inches unless otherwise noted [all dimensions in brackets are in millimeters]



Part #	"A" Frame Width	"B" Usable Keyboard Width	19" Rackmount Bay	Weight Capacity Lbs. [Kg]	# of Fans	CFM	DBA
L5-FLATFR-23	21.93 [557]	18.99 [482]	1	200 [91]	1	70	29
L5-FLATFR-33	31.50 [800]	28.56 [726]	1	300 [136]	1	70	29
L5-FLATFR-43	41.50 [1054]	38.56 [980]	2	400 [181]	2	140	32

- Notes:
- 1) Useable area dimensions specified as WXHXD
  - 2) Side shelf and side drawer can be switched
  - 3) Side shelf not offered for the 23"

what great systems are built on.™

A Group brand | **legrand**

**Middle Atlantic Products**  
middleatlantic.com | middleatlantic.ca

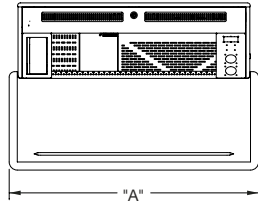
# L5 Series Lecterns

## basic dimensions

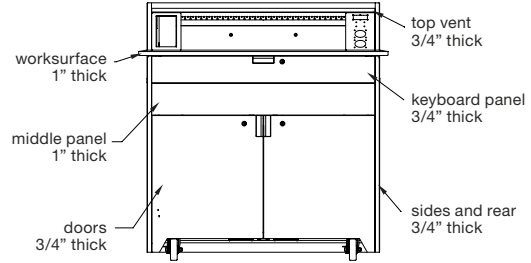
all dimensions in inches unless otherwise noted [all dimensions in brackets are in millimeters]

### L5 lectern finishing kits (contemporary style)

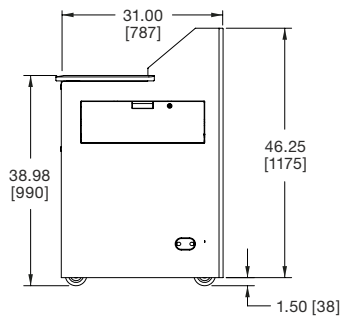
top view



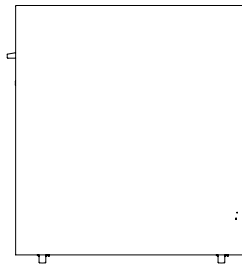
front view



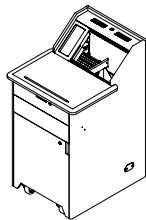
side view



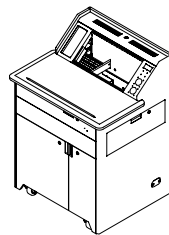
rear view



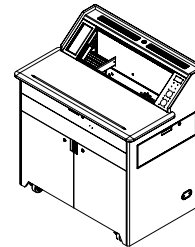
23" with turret  
L5-TKITM-23



33" with turret  
L5-TKITM-33



43" with turret  
L5-TKITM-43



Finishing Kit (Turret)	"A" Worksurface Width	Style	Use with Frame
L5-TKITM-23	26.68 [678]	contemporary	L5-TURFR-23
L5-TKITM-33	36.25 [921]	contemporary	L5-TURFR-33
L5-TKITM-43	46.25 [1175]	contemporary	L5-TURFR-43

what **great systems** are built on.™

A Group brand | **legrand**

**Middle Atlantic Products**

middleatlantic.com | middleatlantic.ca

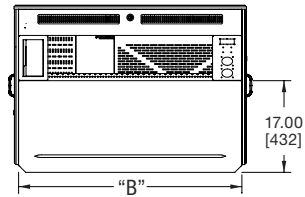
# L5 Series Lecterns

## basic dimensions

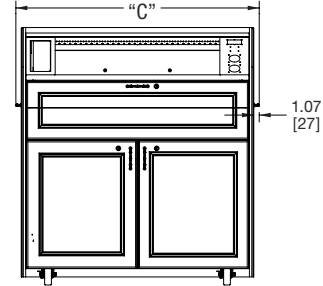
all dimensions in inches unless otherwise noted [all dimensions in brackets are in millimeters]

### L5 lectern finishing kits (traditional style)

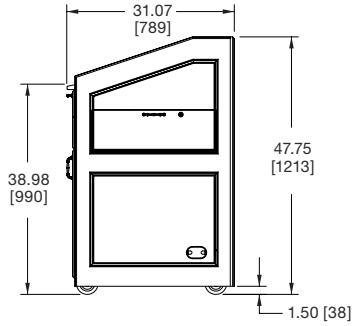
top view



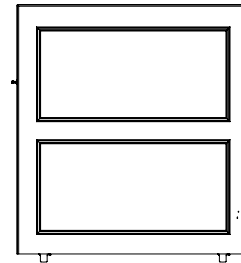
front view



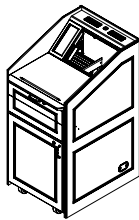
side view



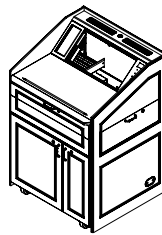
rear view



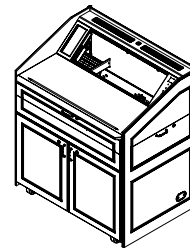
23" with turret  
L5-TKIT-23



33" with turret  
L5-TKIT-33



43" with turret  
L5-TKIT-43



Finishing Kit (Turret)	"B" Worksurface Width	"C" Overall Width	Style	Use with Frame
L5-TKIT-23	21.84 [555]	24.46 [647]	traditional	L5-TURFR-23
L5-TKIT-33	31.41 [798]	35.14 [893]	traditional	L5-TURFR-33
L5-TKIT-43	41.41 [1052]	45.14 [1147]	traditional	L5-TURFR-43

Note:  
Thermolaminated MDF see parts for thickness

what **great systems** are built on.™

A Group brand | **legrand**

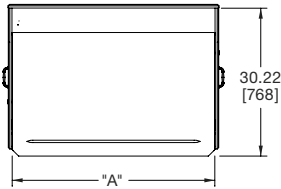
**Middle Atlantic Products**  
middleatlantic.com | middleatlantic.ca

# L5 Series Lecterns

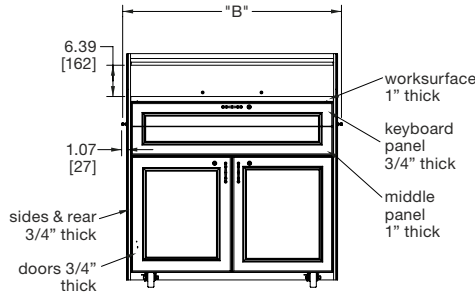
## basic dimensions

all dimensions in inches unless otherwise noted [all dimensions in brackets are in millimeters]

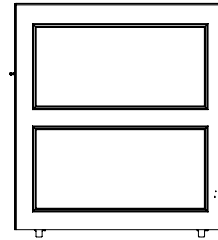
top view



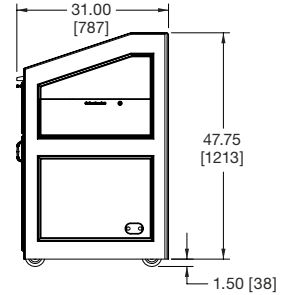
front view



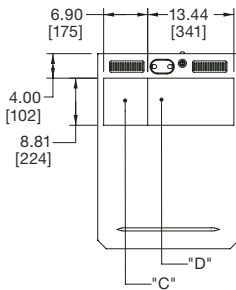
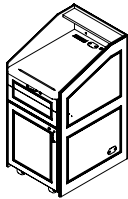
rear view



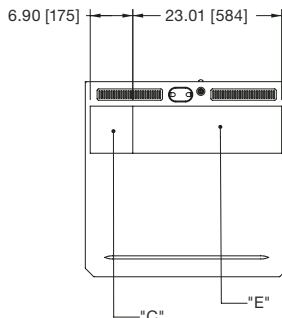
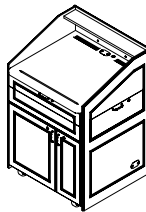
side view



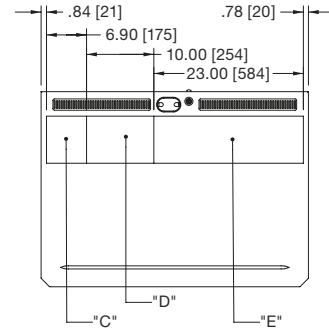
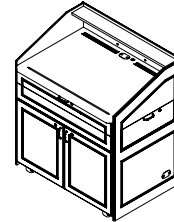
23" flat  
L5-FLKIT-23



33" flat  
L5-FLKIT-33



43" flat  
L5-FLKIT-43



Note:  
Thermolaminated MDF

Finishing Kit (flat)	"A" Worksurface Width	"B" Overall Width	Style	Use with Frame
L5-FLKIT-23	21.84 [555]	25.45 [647]	traditional	L5-FLATFR-23
L5-FLKIT-33	31.41 [798]	35.14 [893]	traditional	L5-FLATFR-33
L5-FLKIT-43	41.41 [1052]	45.14 [1147]	traditional	L5-FLATFR-43

Max Cutout Depth	Dimension
C	4.69 [119]
D	11.31 [287]
E	4.69* [119]

\*Depth of 11.31 [287] without utilizing doc/camera shelf

what **great systems** are built on.™

A Group brand | **legrand**

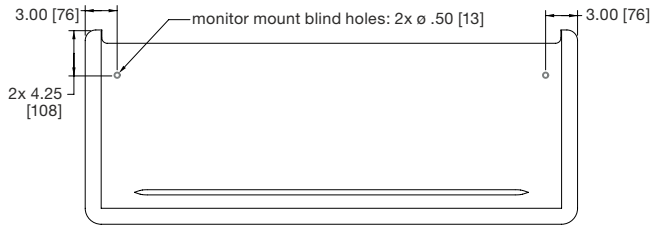
**Middle Atlantic Products**  
middleatlantic.com | middleatlantic.ca

# L5 Series Lecterns

## basic dimensions

all dimensions in inches unless otherwise noted [all dimensions in brackets are in millimeters]

### finishing kits

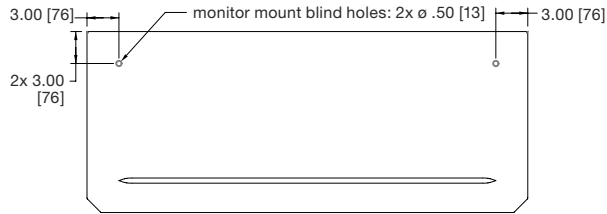


#### Finishing Kit (turret)

L5-TKITM-23

L5-TKITM-33

L5-TKITM-43

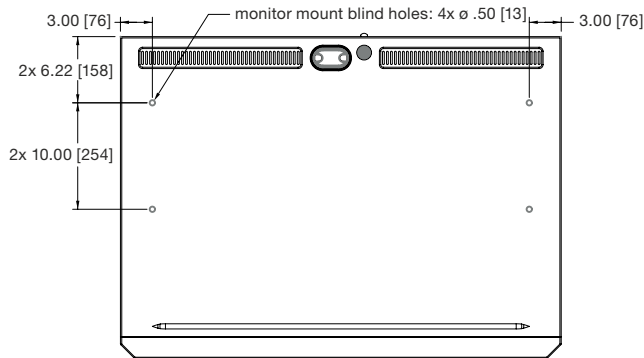


#### Finishing Kit (turret)

L5-TKIT-23

L5-TKIT-33

L5-TKIT-43



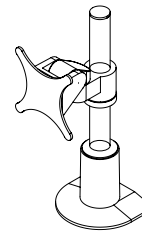
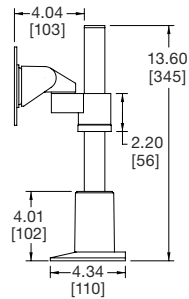
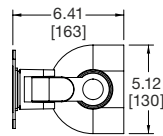
#### Finishing Kit (flat)

L5-FLKIT-23

L5-FLKIT-33

L5-FLKIT-43

### monitor mount MMB-1X1-12



#### Notes:

- 1) Blind holes indicate mounting locations for monitor mount MMB-1X1-2
- 2) Monitor capability: VESA 75 MM and 100 MM monitor weight: up to 25 lbs. per monitor

what **great systems** are built on.™



A Group brand | **legrand**

**Middle Atlantic Products**

middleatlantic.com | middleatlantic.ca