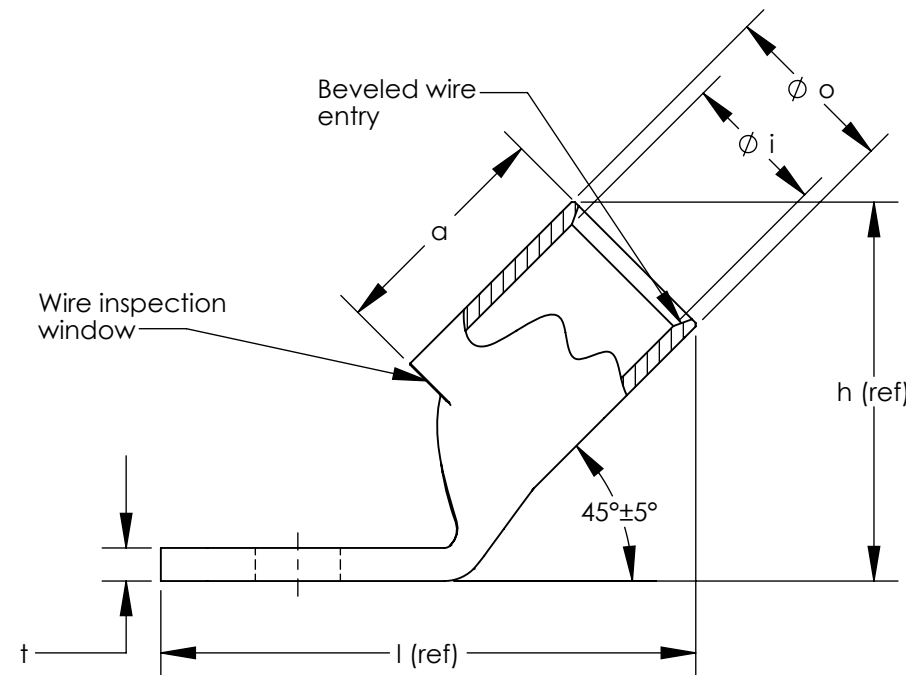
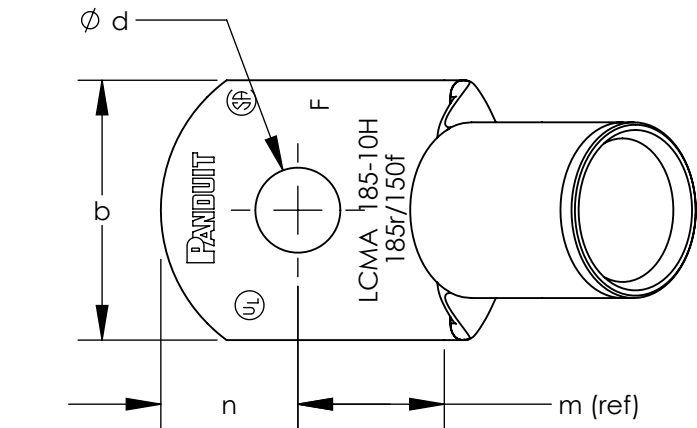


ALL DIMENSIONS ARE IN mm

Part Number	Class 2r Wire Size	Class 5f & 6f Wire Size	Stud Size	Wire Strip Length	Panduit Die Index No. For Class 2r Wire Circumferential Dies	Panduit Die Index No. For Class 5f & 6f Wire Circumferential Dies	Panduit Die Index No. For Class 5f & 6f Wire Nest/Indenter Dies	l (ref)	h (ref)	o ±.50	i ±.50	a ±2.25	m (ref)	n ±2.25	d ±.50	b ±2.25	t
*LCMA185-8H-X	185mm ²	150mm ²	M8	29.7	P76	----	P76/4	66.0	47.3	23.00	18.60	28.2	16.5	17.5	9.00	33.5	4.55 ± .50
LCMA185-10H-X	185mm ²	150mm ²	M10	29.7	P76	----	P76/4	66.0	47.3	23.00	18.60	28.2	16.5	17.5	11.00	33.5	4.55 ± .50
LCMA185-12H-X	185mm ²	150mm ²	M12	29.7	P76	----	P76/4	66.0	47.3	23.00	18.60	28.2	16.5	17.5	14.00	33.5	4.55 ± .50
LCMA185-16H-X	185mm ²	150mm ²	M16	29.7	P76	----	P76/4	66.0	47.2	23.00	18.60	28.2	16.5	17.5	18.00	33.5	4.40 ± .50
LCMA185-20H-X	185mm ²	150mm ²	M20	29.7	P76	----	P76/4	70.5	47.2	23.00	18.60	28.2	21.0	17.5	22.00	33.5	4.40 ± .50
LCMA240-10H-X	240mm ²	185mm ²	M10	36.5	P87	----	P87/4	79.3	55.8	26.00	20.80	35.0	21.0	19.5	11.00	37.5	5.30 ± .50
LCMA240-12H-X	240mm ²	185mm ²	M12	36.5	P87	----	P87/4	79.3	55.8	26.00	20.80	35.0	21.0	19.5	14.00	37.5	5.30 ± .50
LCMA240-16H-X	240mm ²	185mm ²	M16	36.5	P87	----	P87/4	79.3	55.8	26.00	20.80	35.0	21.0	19.5	18.00	37.5	5.30 ± .50
LCMA240-20H-X	240mm ²	185mm ²	M20	36.5	P87	----	P87/4	79.3	55.8	26.00	20.80	35.0	21.0	19.5	22.00	37.5	5.20 ± .50
LCMA300-10H-5	300mm ²	240mm ²	M10	41.8	P94	----	P106/6	85.5	62.6	29.00	23.50	40.3	22.0	20.0	11.00	42.5	5.40 ± .55
LCMA300-12H-5	300mm ²	240mm ²	M12	41.8	P94	----	P106/6	82.5	62.6	29.00	23.50	40.3	22.0	20.0	14.00	42.5	5.40 ± .55
LCMA300-16H-5	300mm ²	240mm ²	M16	41.8	P94	----	P106/6	85.5	62.6	29.00	23.50	40.3	22.0	20.0	18.00	42.5	5.40 ± .55
LCMA300-20H-5	300mm ²	240mm ²	M20	41.8	P94	----	P106/6	85.4	62.6	29.00	23.50	40.3	22.0	20.0	22.00	42.5	5.30 ± .55
LCMAX300-10H-5	-----	300mm ² 5f ONLY	M10	46.3	-----	-----	P32/6	98.4	69.8	33.00	26.20	44.8	26.5	23.5	11.00	48.0	6.70 ± .55
LCMAX300-12H-5	-----	300mm ² 5f ONLY	M12	46.3	-----	-----	P32/6	98.4	69.8	33.00	26.20	44.8	26.5	23.5	14.00	48.0	6.70 ± .55
LCMAX300-16H-5	-----	300mm ² 5f ONLY	M16	46.3	-----	-----	P32/6	98.4	69.8	33.00	26.20	44.8	26.5	23.5	18.00	48.0	6.70 ± .55
LCMAX300-20H-5	-----	300mm ² 5f ONLY	M20	46.3	-----	-----	P32/6	98.4	69.8	33.00	26.20	44.8	26.5	23.5	22.00	48.0	6.70 ± .55

*cULus LISTED WIRE CONNECTOR



LISTED Wire Connector



LISTED Wire Connector



CERTIFIED

- NOTES:
1. Material: High conductivity seamless copper tube.
 2. Plating: Parts are annealed and tin plated.
 3. Wire Type: Class 2r, 5f & 6f Stranded Copper per DIN VDE 0295, IEC 60228 and HD 383.
 4. UL Listed Wire Connector: Yes, for applications up to 35kv. Consult cable manufacturer for voltage stress relief instructions with applications greater than 2000 volts.
 5. UL Temperature Rating: 90° C
 6. C.S.A. Certified Wire Connector: Yes
 7. Parts are CE and tested per EN 61238-1:2003/IEC 61238-1:2003 Class B, with Class 2r wire 185mm² - 240mm².

REV	DATE	BY	CHK	APR	DESCRIPTION	ECN
01	7/15	JHNU	TLCO	RGB	ADDED LCMA185-8H-X	11J033BL-JC
00	10/13	JHNU	TLCO	RGB	DRAWING RELEASED	11J033BL-JC

TITLE METRIC LUGS - LCMA ONE HOLE SERIES 185-300mm² 45° BENT STANDARD BARREL CUSTOMER DRAWING						
ITEM REVISION NAME 11J033BL/01				PANDUIT		
DATASET FILE NAME 11J033BL-JC/01.SLDDRW						
UNLESS OTHERWISE SPECIFIED, DIMENSIONAL TOLERANCES ARE: IN [mm]						
.X ±		.XXX ±		DRAWING NUMBER 11J033BL-JC		
.XX ±		ANGLES ±				
DRAWN BY JHNU		DATE 10/13		CHK TLCO		SCALE NONE
THIRD ANGLE PROJECTION				SHEET 1 OF 1		
						SIZE B