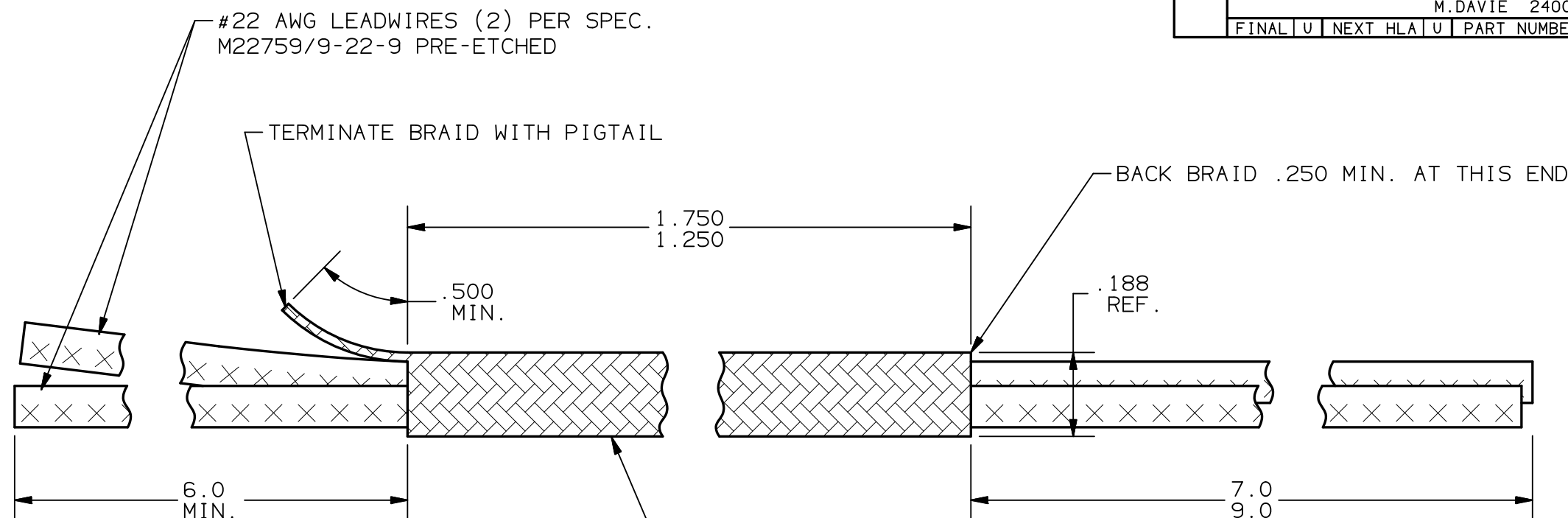


NOTICE

THIS DRAWING EMBODIES A CONFIDENTIAL PROPRIETARY DESIGN ORIGINATED BY G. W. LISK COMPANY, INC. AND ALL DESIGN, MANUFACTURING, REPRODUCTION, USE, AND SALE RIGHTS REGARDING THE SAME ARE EXPRESSLY RESERVED. IT IS SUBMITTED UNDER A CONFIDENTIAL RELATIONSHIP FOR A SPECIFIC PURPOSE, AND THE RECIPIENT AGREES BY ACCEPTING THIS DRAWING NOT TO SUPPLY OR DISCLOSE ANY INFORMATION REGARDING IT TO ANY UNAUTHORIZED PERSON OR TO INCORPORATE IN OTHER PROJECTS ANY SPECIAL FEATURES PECULIAR TO THIS DESIGN. ALL PATENT RIGHTS HERETO ARE EXPRESSLY RESERVED BY G. W. LISK COMPANY, INC., CLIFTON SPRINGS, NEW YORK.

REVISIONS

REV	DESCRIPTION	DATE	APPROVED
C	NEW DWG. SUPERSEDES REV. B, WITHOUT CHANGE. 9-28-88 FEB U	3-15-89	HLS
D	ADDED "GLENAIR, INC." FOR SECOND SOURCE. "PURE TEFLON...PER APPLICABLE PORTION OF SUNDSTRAND DWG. 56566 AND 55038" WAS "PURE TEFLON...PER CI SPEC. 312" 3-31-89 F.E.BULLEY U	5-8-89	HLS
E	REDRAWN ON CADRA WITHOUT CHANGE. 2-14-93 F.E.BULLEY U	2-24-93	GFH
F	"M22759/9-22-9" WAS "M22759/7-22-9" 12 JUNE 02 AVB U	21 JUNE 02	JCV
G	ADDED IEWC GLOBAL SOLUTIONS AS ADDITIONAL BRAIDING SOURCE. M.DAVIE 24OCT13	24OCT13	GFH
	FINAL U NEXT HLA U PART NUMBER U		



NOTES:

- LEADWIRE TO BE SUPPLIED BY G.W.LISK CO., INC.
- BRAIDING TO BE DONE BY:
CO-OPERATIVE INDUSTRIES, INC. (SPEC. CI312)
100 OAKDALE ROAD
CHESTER, NEW JERSEY, 07930

OR

GLENAIR, INC.
1211 AIRWAY
GLENDAL CALIFORNIA 91201-2497

OR

IEWC GLOBAL SOLUTIONS
11B DANA HILL RD.
STERLING, MA 01564

PURE TEFLON FILAMENT YARN
BRAIDED PER APPLICABLE
PORTION OF SUNDSTRAND
DWGS. 56566 AND 55038.

CAGE CODE	MATERIAL SPECIFICATION	ITEM	PART NUMBER	DESCRIPTION	QTY
UNLESS OTHERWISE SPECIFIED	THIRD ANGLE PROJECTION	DRAWN	G. W. LISK CO. INC.		
93 Ra FINISH ALL OVER		F.E.BULLEY 9-28-88	CLIFTON SPRINGS, NEW YORK		
f - SMOOTH FINISH FOR APPEARANCE ONLY	MATERIAL	CHECK	LEADWIRE ASSEMBLY		
RUNOUT BETWEEN ALL DIAMETERS NOT TO EXCEED .005 FULL INDICATOR MOVEMENT	-----	GFH 10-24-88			
BREAK ALL SHARP EDGES - .010 MAXIMUM	HEAT TREAT	ENGINEER	SIZE	CAGE CODE	DWG NO
† - RADIUS OR CHAMFER ACCEPTABLE	-----	GFH 10-24-88	B	81983	21588
	FINISH	L-5410	DO NOT SCALE	-	WEIGHT
					SHEET
					REV G